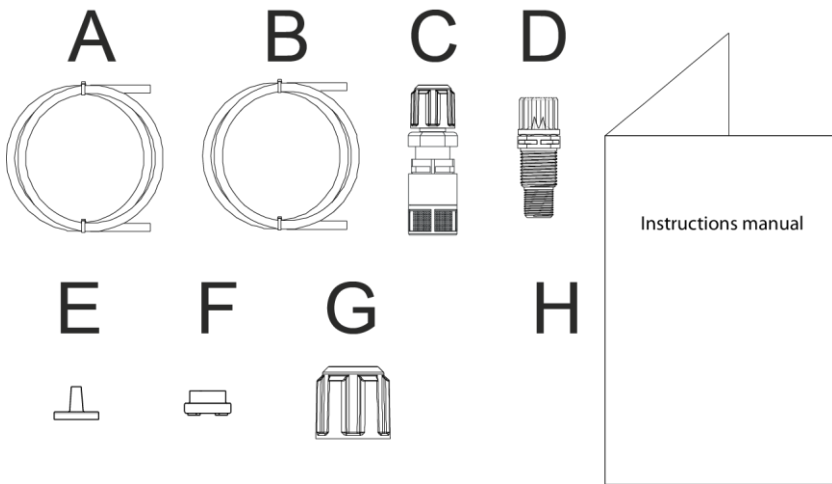


# TEKNA AKL - AKS

INSTALLATION MANUAL	EN
HANDBUCH	DE
MANUAL DE INSTALACION	ES
MANUEL D'INSTALLATION	FR
MANUALE D'INSTALLAZIONE	IT
INSTRUCTIES MANUAL	NL
MANUAL DE INSTALAÇÃO	PT
KULLANIM KLAVUZU	TR
РУКОВОДСТВО ПО УСТАНОВКЕ И ЭКСПЛУАТАЦИИ	RU



## 1 Packing list



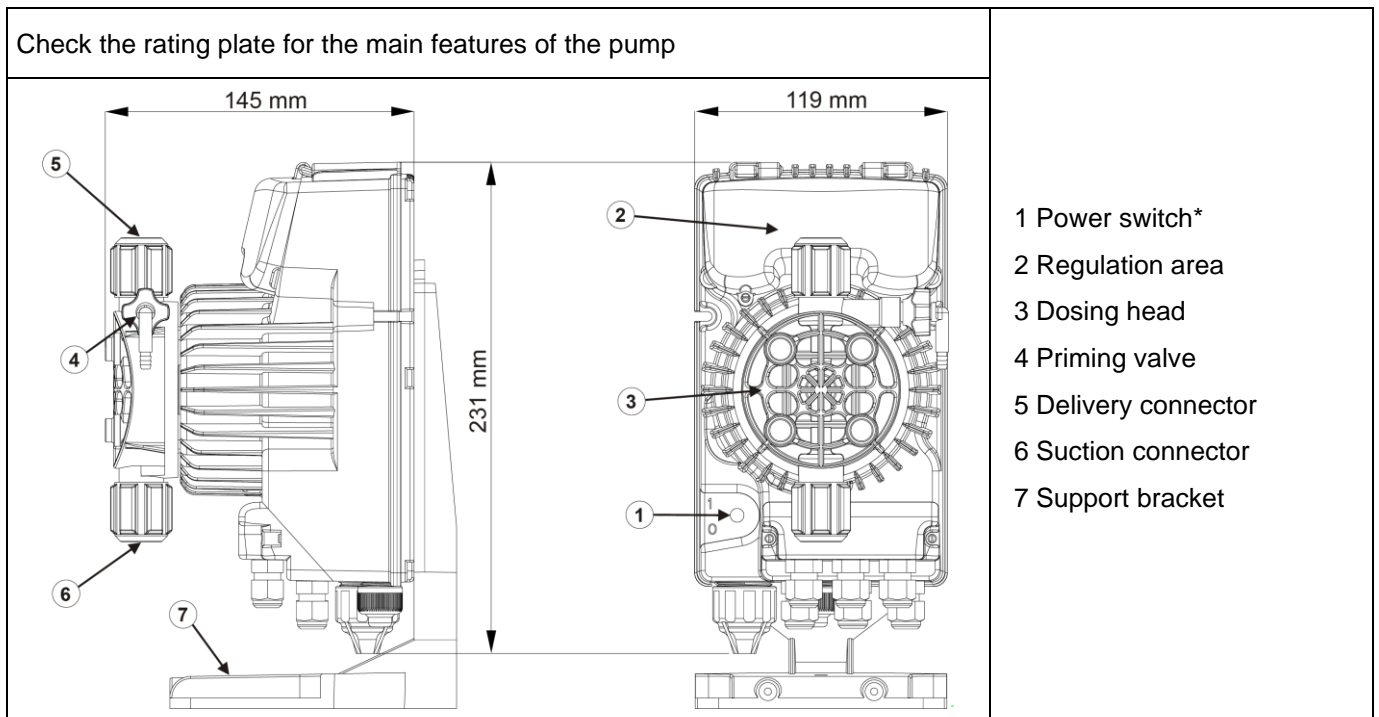
- A. Opaque tube for connecting the pump's outlet to the injection valve
- B. Transparent tube for connecting the suction and the manual priming valve
- C. Foot filter
- D. Injection valve
- E. Compression insert
- F. Compression sleeve
- G. Compression nut
- H. Instruction manual

## 2 Introduction



**FOR SPECIFIC HYDRAULIC FEATURES SEE THE LABEL ON THE PUMP**

The dosing pump is comprised of a control unit that houses the electronics, the solenoid assembly and a hydraulic part in contact with the liquid to be dosed.



\* In some models, the switch is not present. For this type of pumps, by holding down **sel** for at least 5 seconds, the pump will stop functioning and all the LEDs will flash to indicate its state; in this state, the pump is not dosing. By pressing **sel** again, the pump returns to its working state.

The parts in contact with the liquid have been chosen in order to guarantee perfect compatibility with most chemical products normally in use. Given the range of chemical products available on the market, we recommend checking the chemical compatibility of the dosed product and contact materials.

## PRECAUTIONS!

Read the following precautions carefully before proceeding with pump installation or maintenance.

**Caution! We recommend installing the pump in a vertical position to ensure proper operation.**

**Caution! Product intended for professional use, by skilled people.**

**Caution! Always disconnect the power supply before installing or carrying out maintenance on the product.**

**Caution! Follow the safety procedures relative to the dosed product.**

## 3 Technical features

**Pump head materials (standard):**

- **Pump head:** PVDF
- **Valve:** PVDF
- **Ball:** Ceramic
- **Diaphragm:** PTFE
- **O-Ring:** FKM-B/EPDM

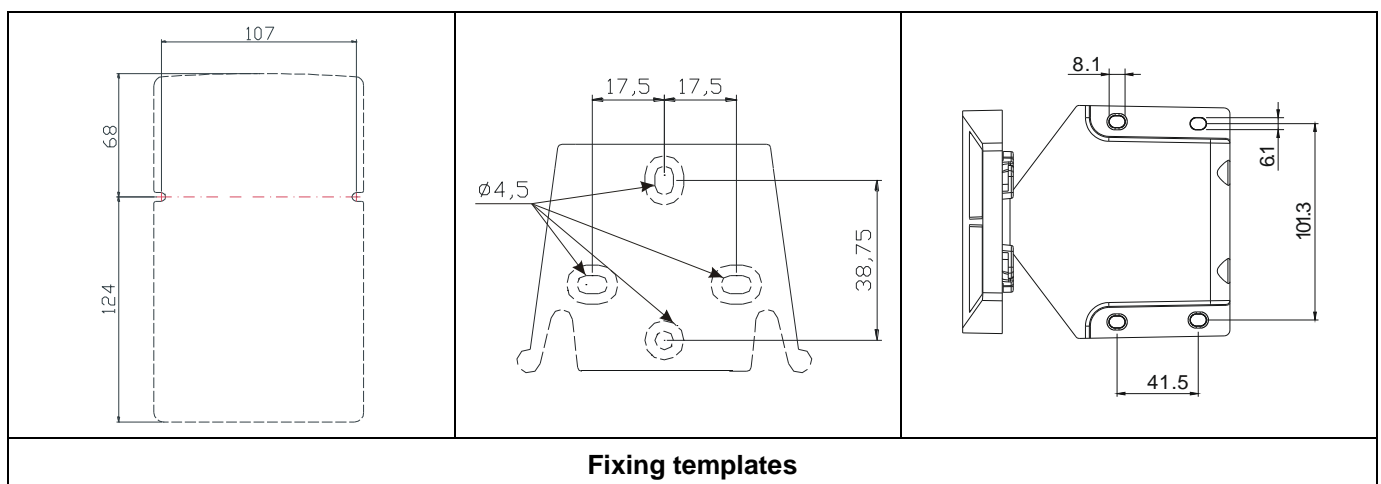
**Note:** For the technical characteristics of the pump see the label.

**Read the following notes before installing or performing maintenance on the pump:**

1. The various technical parameters of the pumps are obtained using water. Before dosing chemical products that may react with water, such as sulfuric acid, thoroughly wipe all the interior parts of the pump body.
2. Install the pump in a zone where the environment temperature does not exceed 40°C and the relative humidity is below 90%. The pump has an IP65 protection level. Avoid installing the pump directly exposed to sunlight.
3. Install the pump so that any inspection and maintenance operations are easy to carry out, then secure the pump firmly in order to prevent excessive vibrations.
4. Check that the power supply available in the network is compatible with that indicated on the pump label.
5. If you are injecting in pressurised tubes, always make sure that the system pressure does not exceed the maximum working pressure indicated on the dosing pump label before starting up the pump.

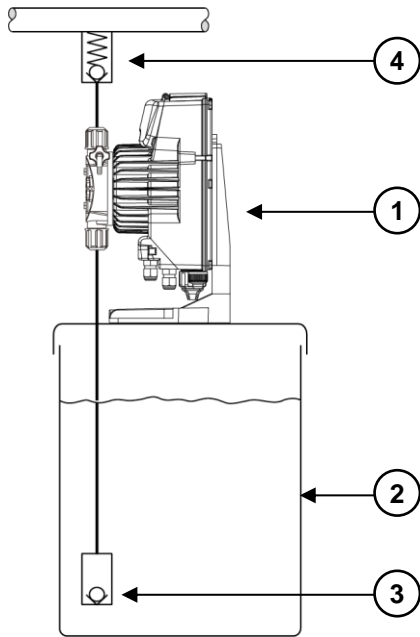
## 4 Installation

The pump has to be installed on a steady flat horizontal surface.



## 4.1 Pump installation suggestions

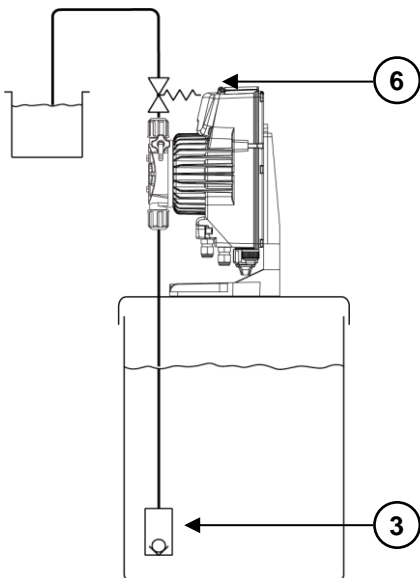
### 4.1.1 Standard installation



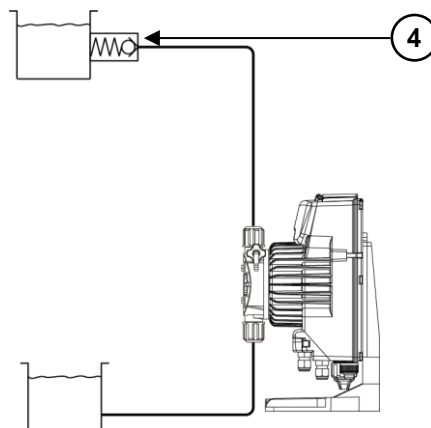
Description	
1	Metering pump
2	Tank
3	Foot filter with ball check valve
4	Injection valve
5	Injection valve with reinforced spring
6	Multi-function valve
7	Back-pressure valve (discharge line installation)
8	Pulsation dampener
9	Drain valve
10	Bleed valve
11	Isolating valve

### 4.1.2 Atmospheric discharge

#### 4.1.2.1 Atmospheric discharge and low head

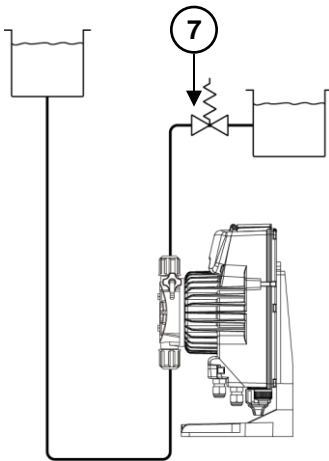


#### 4.1.2.2 Atmospheric discharge and large head

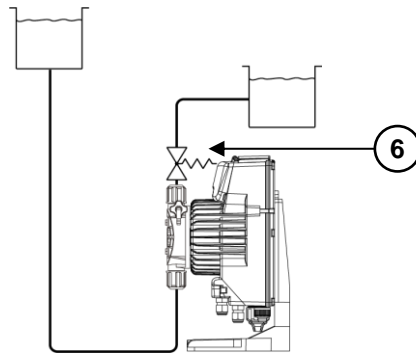


**4.1.3 With back pressure**

**4.1.3.1 Back pressure on the suction side and large discharge head**

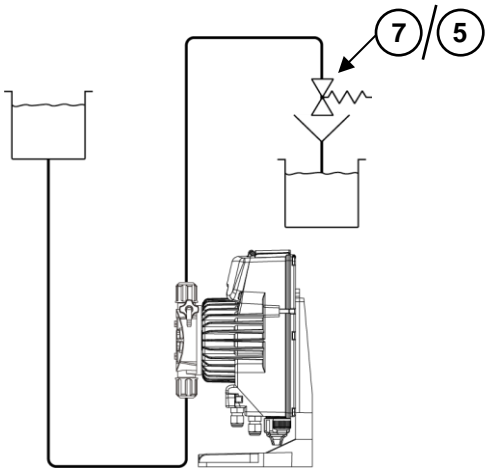


**4.1.3.2 Back pressure on the suction side and low discharge head**

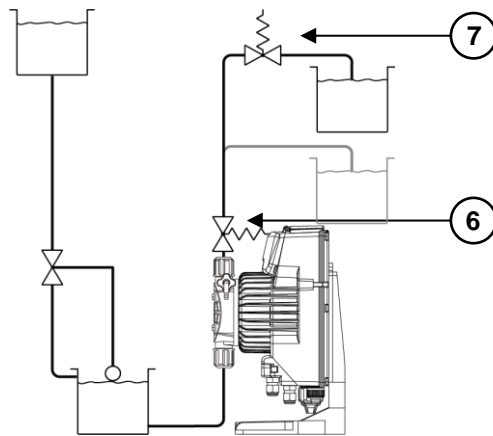


**4.1.4 With siphoning safely prevention**

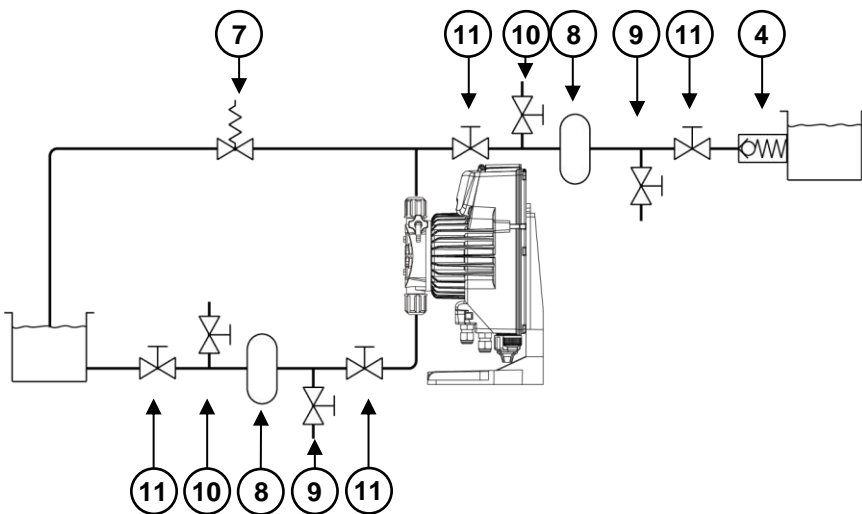
**4.1.4.1 Installation to safely prevent siphoning of hazardous media**



**4.1.4.2 Installation to safely prevent siphoning of hazardous media**

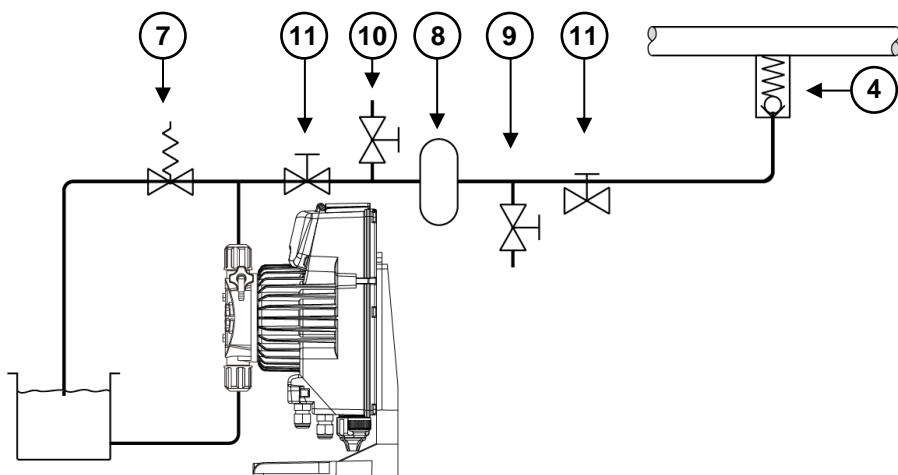


**4.1.5 With long suction or discharge lines**

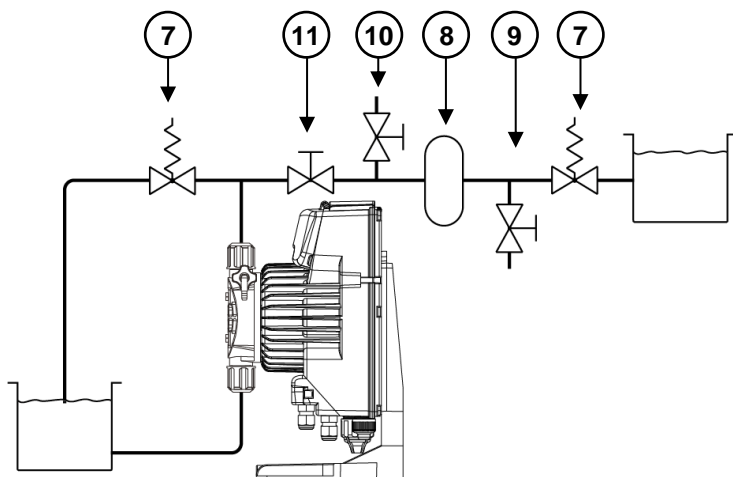


### 4.1.6 For pulsation-free metering

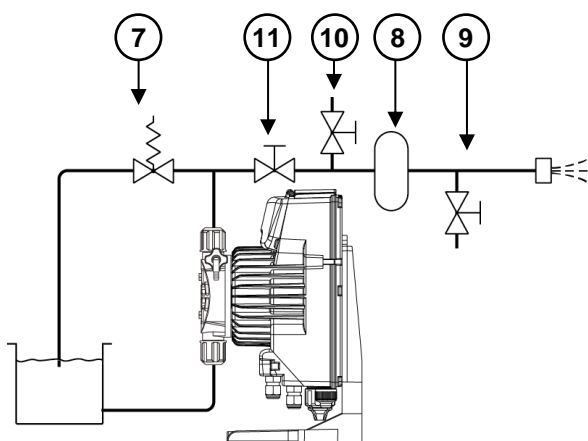
#### 4.1.6.1 Into discharge lines



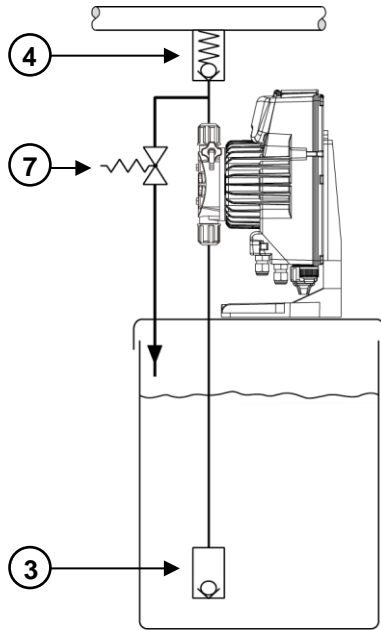
#### 4.1.6.2 Into an atmospheric system



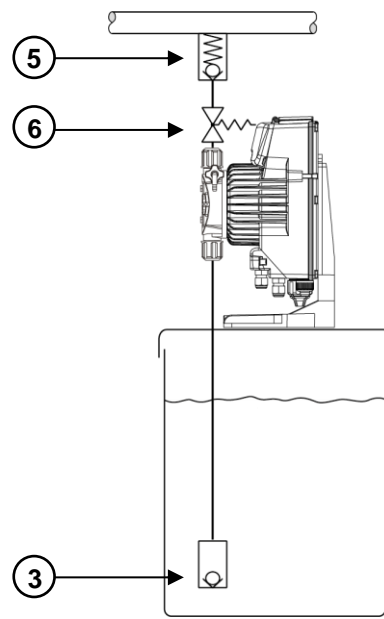
#### 4.1.6.3 Without overfeeding



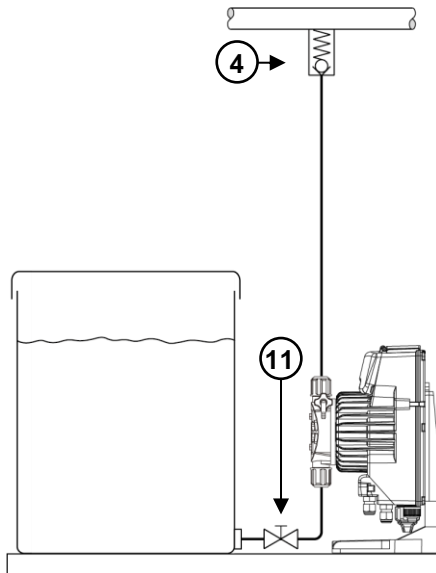
**4.1.7 To protect against overpressure**



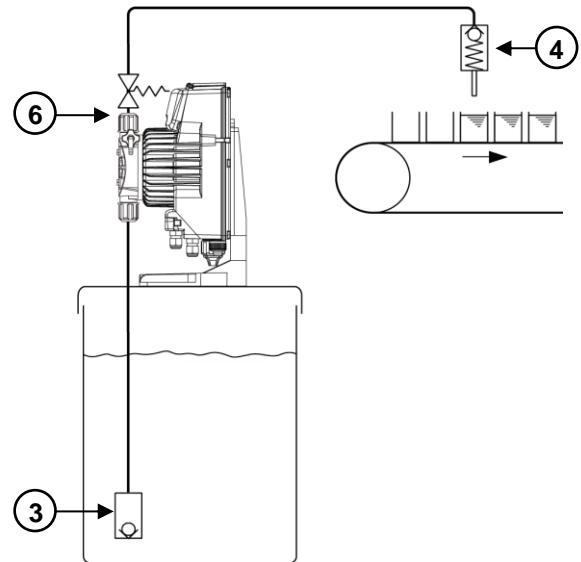
**4.1.8 Metering into vacuum**



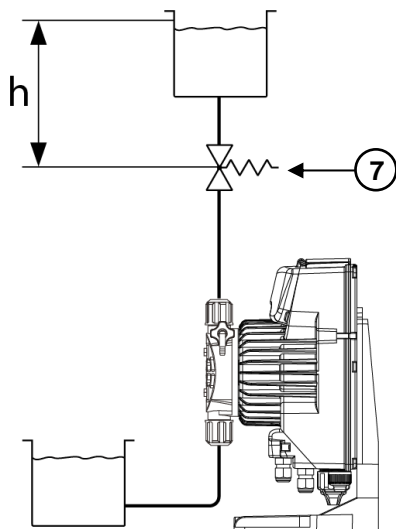
**4.1.9 With media tending to emit fumes and vapours**



**4.1.10 Pulse type individual metering**



**4.1.11 Correct back-pressure valve positioning**



Calculation of the max. permissible line height  $h_{max}$  above the back-pressure valve:

$$h_{max} \leq \frac{P \times 14.3}{\text{Rho} \times g}$$

$h_{max}$  = Max. line height (m)

P = pre-stress pressure set (bar)

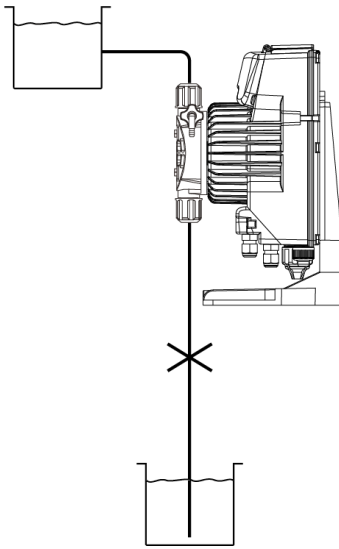
g = gravitation constant (10 m/s<sup>2</sup>)

Rho = density of the medium to be fed (kg/dm<sup>3</sup>)

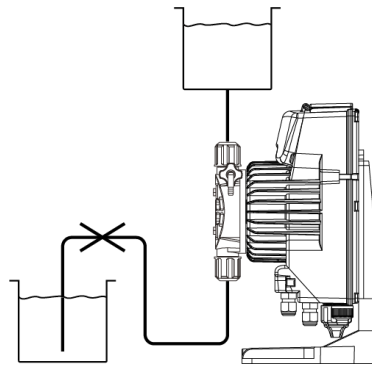


## 4.2 Incorrect pump installations

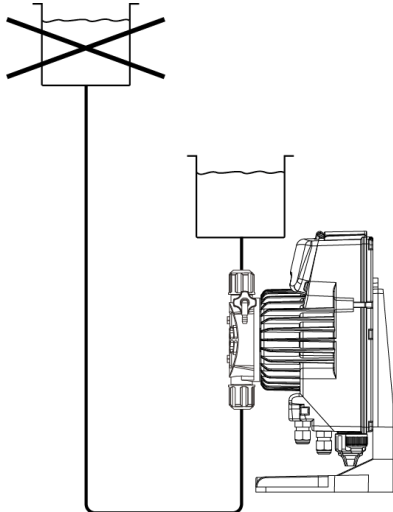
### 4.2.1 Suction line too high



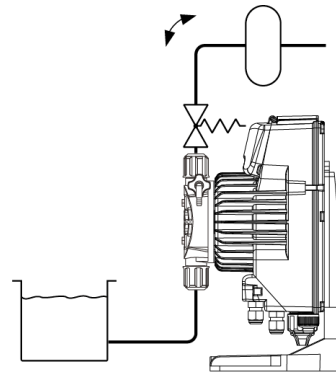
### 4.2.2 Free flow, media will be gravity-fed through pump



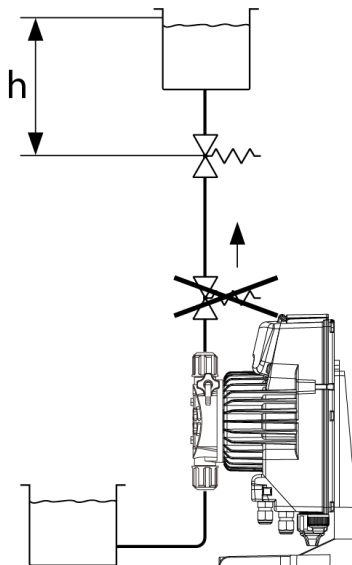
### 4.2.3 Suction line cannot be bled



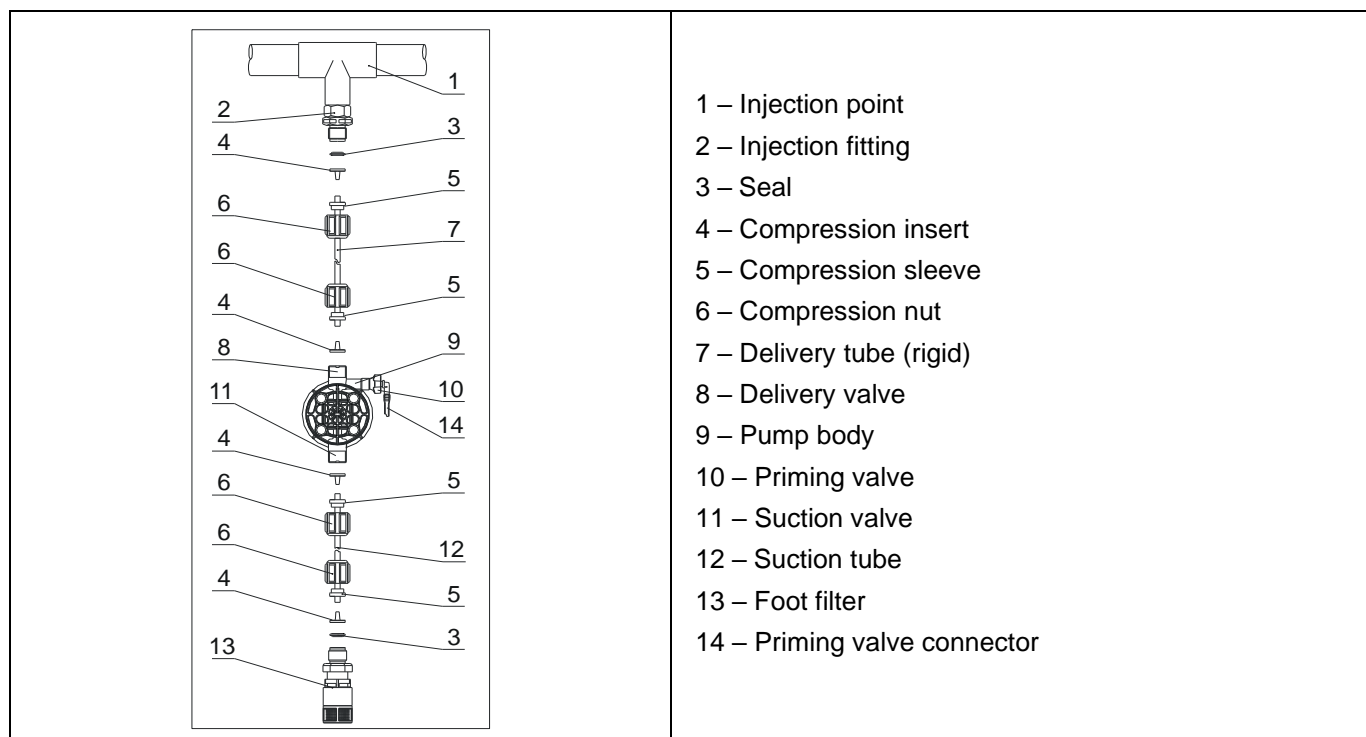
### 4.2.4 Accumulator ineffective



### 4.2.5 Incorrect BPV position

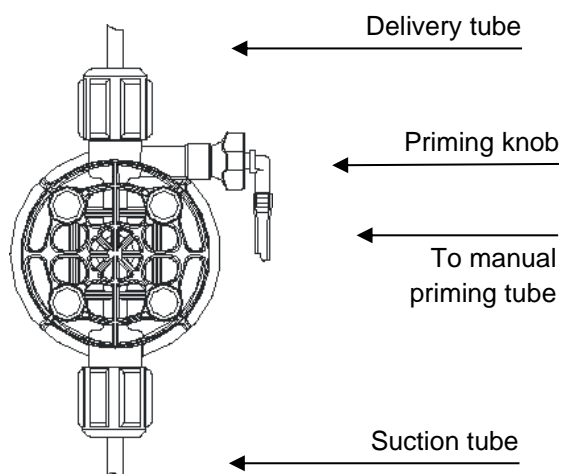


### 4.3 Hydraulic connections



#### 4.3.1 Priming tube

Insert one side of priming tube into discharge connector. Insert other side of priming tube into product's tank. During priming procedure product exceeding will flow into tank.



Manual priming pump head model,  
 PVDF pump head connections

It's allowed to lightly bend priming tube.



**During calibration procedure ("TEST") insert priming tube into BECKER test-tube.**



**Suction and delivery valves must be in vertical position**

### 4.3.2 Pump suction



**Suction piping should be as short as possible and installed in vertical position to avoid air bubbles suction.**

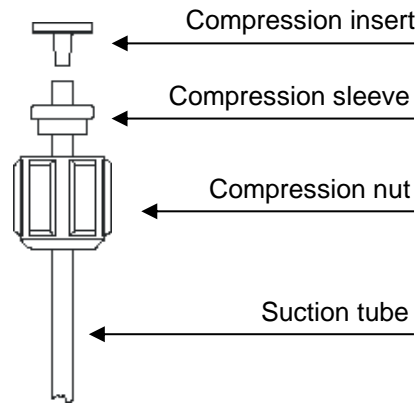
Completely unscrew compression nut from pump's head and remove assembling components: compression nut, compression sleeve and compression insert.

Insert tube into compression insert until it reaches the bottom. Lock tube on pump's head by screwing down the compression nut.



**Hand-tighten the nuts firmly.**

Do not use tongs or any other tool.

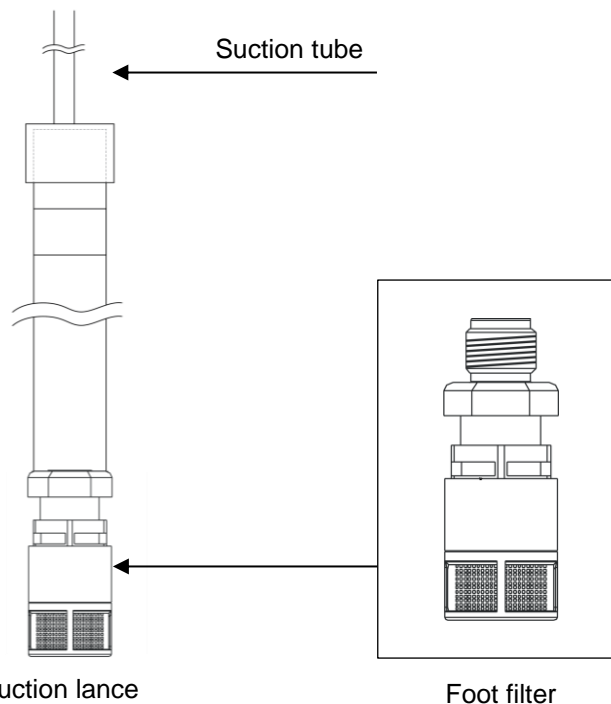


Suction tube assembling

#### Foot filter installation

Level probe is assembled with a foot filter that avoid sediments priming problems.

Install level probe on the bottom of the tank.



**Warning: If there is a mixer installed into tank, install a suction lance instead of level probe / foot filter.**

### 4.3.3 Pump delivery



**Delivery tube must be firmly fixed to avoid suddenly movements that could damage near objects**

Completely unscrew compression nut from pump's head and remove assembling components: compression nut, compression sleeve and compression insert.

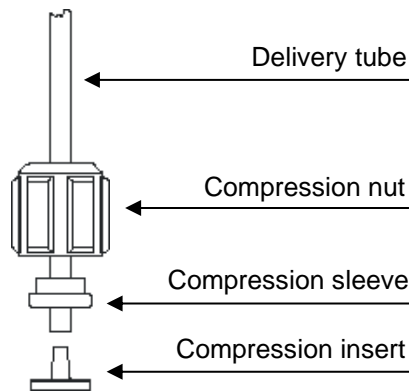
Insert tube into compression insert until it reaches the bottom. Lock tube on pump's head by screwing down the compression nut.



**Hand-tighten the nuts firmly.**

Connect the other end of the tube to the injection valve using the same procedure.

Connect the other end of the tube to the injection valve using the same procedure.



Delivery tube assembling

#### Injection fitting

Injection fitting must be installed on plant from water's input.

Injection fitting will open at pressure greater than 0.3 bar.

### 4.4 Electrical connections

	<p>Input A = Power supply</p> <p>Input B = Level</p>	<p>The pump must be connected to a power supply that complies with that indicated on the label on the side of the pump. Failure to respect these limits may cause damage to the pump itself.</p> <p>The pumps have been designed to absorb small over voltage. Therefore, in order to prevent the pump from being damaged, it is always preferable to ensure that the pump does not have a power source shared with electrical appliances that generate high voltages.</p> <p><b>Connection with the three-phase 380V line should only be made between phase and neutral. Connections must not be made between phase and earth.</b></p>
--	--	---

## 4.5 Notes

After about 800 hours of work, tighten the pump body bolts, applying a tightening torque of 4 Nm.

When making the hydraulic connections, make sure that you follow the instructions below:

- Install the **FOOT FILTER** at about 5-10 cm from the bottom so as to avoid any deposits that may obstruct the filtering element.
- The installation of the pump in a position lower than the liquid level is recommended for pumps with a very small capacity, especially when dosing gas-generating products (e.g. sodium hypochlorite, hydrazine, hydrogen peroxide, ...).
- Our pump is equipped with suction and discharge tubes. If you need to use tubes longer than those provided in the installation kit, it is important that you use tubes of the same dimensions as those supplied with the pump.
- If the pump is exposed to the sun's rays, it is advisable to use UV-resistant black tubes.
- It is advisable to position the **INJECTION POINT** higher than the pump or the tank.
- The **INJECTION VALVE** supplied with the pump must always be installed at the end of the dosing discharge line.

## 4.6 Precautions for use

The operating voltage of the electromagnetic pump is 100 - 240V, 50/60Hz. The pumps have been designed to tolerate small over-voltages. Therefore, in order to prevent the pump from being damaged, it is always preferable to ensure that the pump does not share a power source with electrical appliances that generate high voltages.

In order to reduce the risk of electric shock, the power socket of the metering pump must be well grounded. Separate the earth wire from the neutral wire and cover the pump head bolts with caps.

It is absolutely forbidden to run the pump without liquid for a long time (maximum 3 minutes).

Before dosing chemical products that may react with water (e.g. Sulfuric acid), dry all the internal parts of the pump body thoroughly (we remind you that there is some water in the pump head at the time of delivery).

The metering pump cannot be used in conditions exceeding the maximum rated pressure. The rated pressure value is labeled on the rating plate of the metering pump, and the unit is bar (1 bar = 1-kilogram force/cm<sup>2</sup> = 10-meter water column). If the rated pressure is exceeded, the pump may be damaged.

The ambient temperature at the site of pump installation cannot exceed 40°C, and the relative humidity cannot be above 90%; the pump cannot be installed in a place exposed to sun or bad weather.

Select an installation position that is convenient for pump maintenance, and securely fix it to prevent vibrations. The pump must be installed on a horizontal plane.

Make sure that the suction line and delivery line are correctly installed and that the delivery valve is not exchanged with the suction valve.

Keep the suction/delivery valves clean.

When the suction and delivery valves are cleaned, these must be disassembled and reassembled carefully. Any missing part of the valve will influence its performance.

The supplied tubes, foot valve and injection valve must be used together to ensure accurate dosage.

If the conditions permit, a safety valve should be installed, so as to avoid damage to the pump due to blockage.

Please tighten the tube compression nut by hand, and do not use tools.

### Connection of the inlet and outlet tubes

Use the supplied compression insert and compression sleeve; tighten the compression nut to prevent the leakage of liquids from the tube which may cause malfunction of the pump. Please regularly check the tube conditions. In case of deterioration of the tube connection, please replace the tube or cut off the aging part and re-tighten it.

## **Manual priming**

The priming valve is on the right of the metering pump. During the priming operation, open the valve and then close it again after exhausting the gas. The outlet of the priming valve must also be connected to a tube to exhaust the gas-liquid mixture, so as to prevent dripping on the pump head and causing bolt corrosion.

The delivery line pressure must be higher than that of the suction line, otherwise siphoning phenomena may occur.

After 800 hours of operation, re-tighten the fixing bolts of the pump body to 4 Nm.

## **4.7 Start-up**

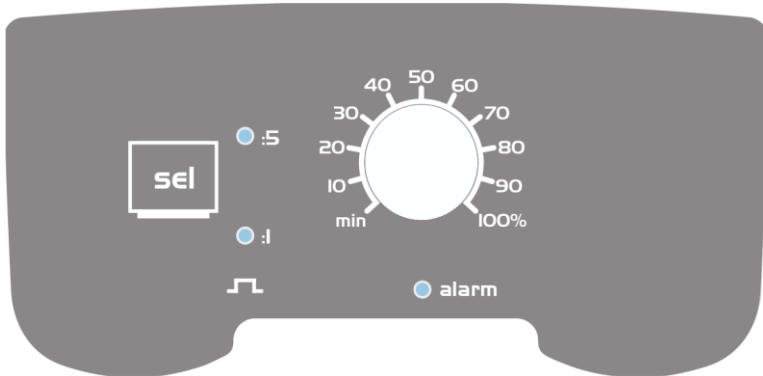


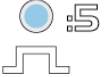


Once all the aforementioned operations have been completed, the pump is ready to be started.

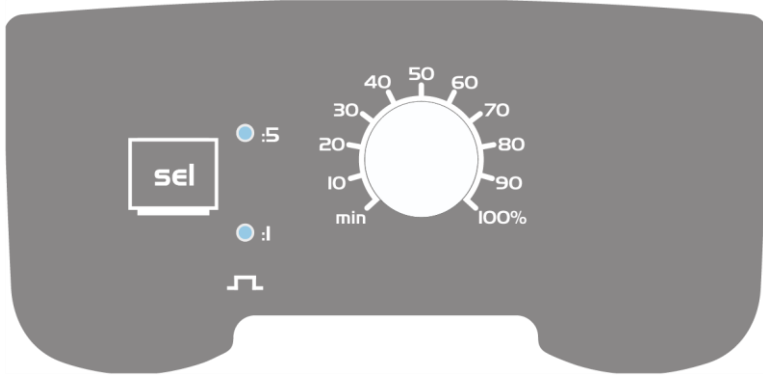




## **4.8 Priming**

- Start the pump
- Open the priming connector by turning the knob in the priming valve in an anticlockwise direction and wait for liquid to come out of the tube connected to it.

Once you are sure that the pump is completely full of liquid, you can close the connector and the pump will begin to dose.

## 5 Control panel

<b>Tekna AKL</b>	
	
	Flow rate % regulation potentiometer
	Maximum frequency selector
	Maximum speed (:5) and dosage impulse LED
	Maximum frequency and dosage pulse LED
	Level probe alarm LED

<b>Tekna AKS</b>	
	
	Flow rate % regulation potentiometer
	Maximum frequency selector
	Maximum speed (:5) and dosage impulse LED
	Maximum frequency and dosage pulse LED

## 6 Alarms (Tekna AKL only)

Display	Cause	Interruption
Fixed alarm LED	Level probe alarm (liquid exhausted in the tank)	Restore the liquid level.

## 7 Troubleshooting

Problem	Possible cause	Solution
The pump is working properly but the dosage is interrupted	Blocked valves	Clean the valves or replace them if it is not possible to remove the build-ups.
	Excessive suction height	Position the pump or tank so as to reduce the suction height.
	Excessive liquid viscosity	Reduce the suction height or use a pump with a bigger flow capacity.
Insufficient flow	Leakage from the valves	Check that the compression nuts are properly tightened.
	Excessive liquid viscosity	Reduce the suction height or use a pump with a bigger flow capacity.
	Partial valve blockage	Clean the valves or replace them if it is not possible to remove the build-ups.
Irregular pump flow	Siphon effect on delivery	Check the injection valve installation. Insert a back-pressure valve if insufficient.
	Transparent PVC tube on delivery	Use an opaque PE tube on delivery.
	Pump not properly calibrated	Check the pump flow capacity relative to the system pressure.
Broken membrane	Excessive back-pressure	Check the system pressure. Check whether the injection valve is blocked. Check whether there are any blockages between the delivery valves and the injection point.
	Operation without liquid	Check the presence of the foot filter (valve). Use a level probe that blocks the pump when the chemical in the tank finishes.
	Membrane not properly secured	Replace the membrane and make sure that it is correctly tightened
The pump does not switch on	Insufficient power supply	Check whether the pump plate values correspond to those of the electrical network.



## 8 Maintenance

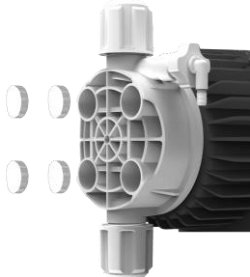


### 8.1 Precautions

- Before proceeding to the maintenance on the pump, verify that all electric connections have been disconnected.
- Depressurize completely the pump and drain the tubes in the section in which maintenance is required
- Always work wearing the required safety protection equipment.
- Don't pour in the ambient polluting substances such as pumped chemicals, hydraulic liquid, lubricating oil
- Read carefully the technical specifications of the fluids dosed and treated, to be aware about the risks and the actions that have to be done in case of accidental contact with a dangerous fluid.

### 8.2 Pump head

**Don't let the pump running without process liquid. As minimum every six months, dismount the pump head and carry out the operations described below:**

- Disconnect suction and discharge tubes
- Drain process liquid from pump head and tubes
- Dismount the pump head following these steps:

<p>a) Remove the 4 caps to access the bolts</p> <p>b) Unscrew the bolts fixing the pump head to mechanism</p>	
<p>c) Extract the pump head and wash thoroughly the suction and discharge valves</p> <p>d) Verify whether the gasket is worn; replace it if required</p>	
<p>e) Inspect the diaphragm for signs of wear and tear</p>	

- Mount back the pump head and fix the bolts
- Place the caps back over the bolt's holes

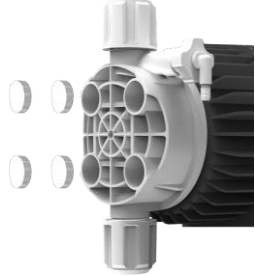

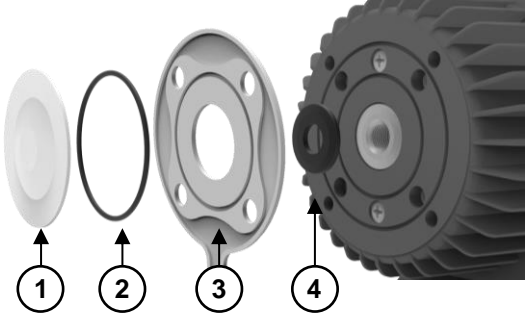
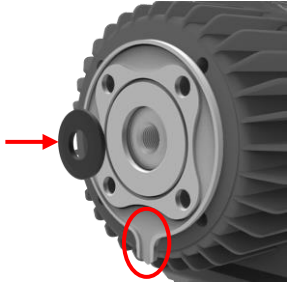
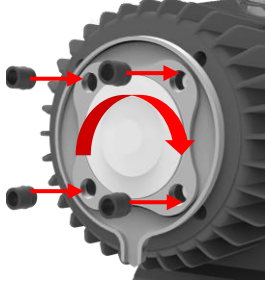


**Tighten the bolts in the pump body, applying a tightening torque of 4 Nm.**

### 8.3 Diaphragm replacement

If there are leaks in the pump head area, after the pump head maintenance procedure is fulfilled, please carry out the diaphragm replacement procedure:

- Disconnect suction and discharge tubes, drain process liquid from pump head and tubes
- Dismount the pump head and the diaphragm following these steps:

<p>a) Remove the 4 caps to access the bolts</p> <p>b) Unscrew the bolts fixing the pump head to mechanism</p> <p>c) Extract the pump head</p>	
<p>d) Remove the diaphragm (white PVDF disc) by unscrewing it from its housing</p>	
<p>e) Inspect all the parts for signs of wear and tear: diaphragm (1), diaphragm gasket (2), big anti-seepage disk (3) and small anti-seepage disk (4)</p> <p>f) Replace any defective part</p>	
<p>g) The big anti-seepage disk must be installed with the little groove part positioned on the bottom of the pump case and faced away from the solenoid, with the 4 holes matching the screw's housings of the pump case.</p> <p>h) The little anti-seepage disk must be positioned in the center of the bigger disc, on top of the solenoid's piston.</p>	
<p>i) Screw the diaphragm on the solenoid's piston</p> <p>j) Insert the provided 4 seals into the holes, paying attention to the direction: the shorter end must be placed on the bottom of the hole</p>	

- Mount back the pump head, fix the bolts and place the caps back over the bolt's holes

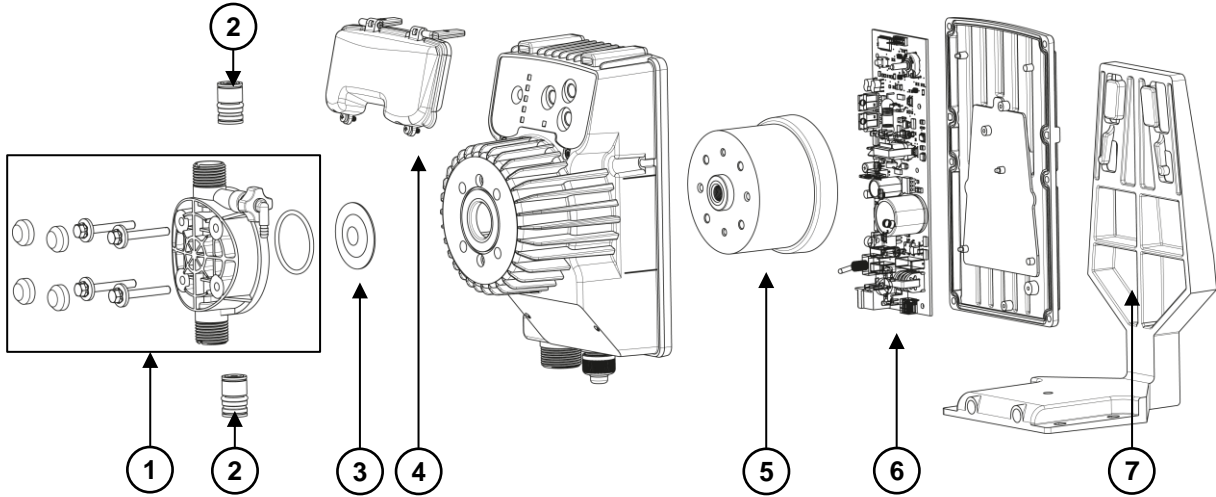


**Tighten the bolts in the pump body, applying a tightening torque of 4 Nm.**

## 8.4 Spare parts exploded view

In order to provide ordinary maintenance and to avoid possible waste of time, it is recommended to keep in stock a small supply of the following spares:

- Suction valve complete
- Discharge valve complete
- Complete pump head
- Diaphragm, anti-seepage discs and seals



1	Complete pump head
2	Valves
3	Diaphragm
4	Control area cover

5	Solenoid
6	Mainboard
7	Support bracket

### NOTE



When ordering spares, please indicate always model and serial number of the pump.

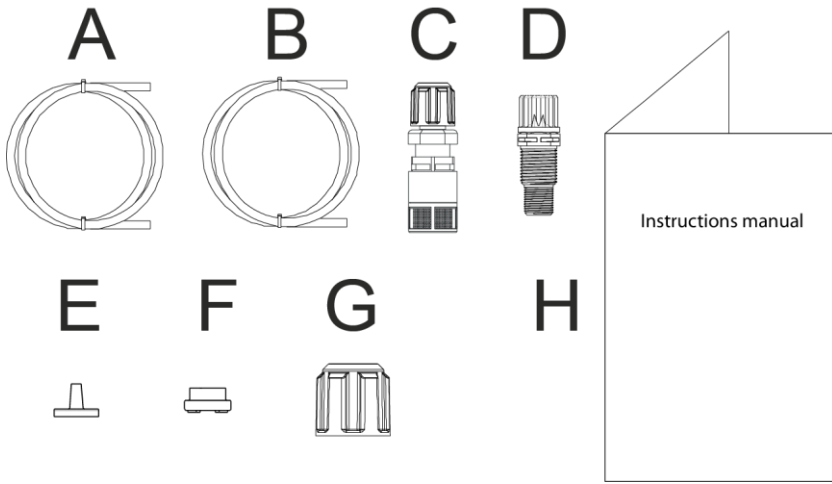
## 8.5 Disposal considerations

Dispose electronic or toxic materials in accordance with applicable regulations which vary from country to country.

In most countries, the self-disposal of electronic or toxic materials is forbidden and the end-users are invited to dispose them properly, eventually through non-profit organizations, mandated by local governments or organized on a voluntary basis by professionals.

Send to authorized recycling facilities, eventually through licensed waste carrier.

## 1 Packungsinhalt



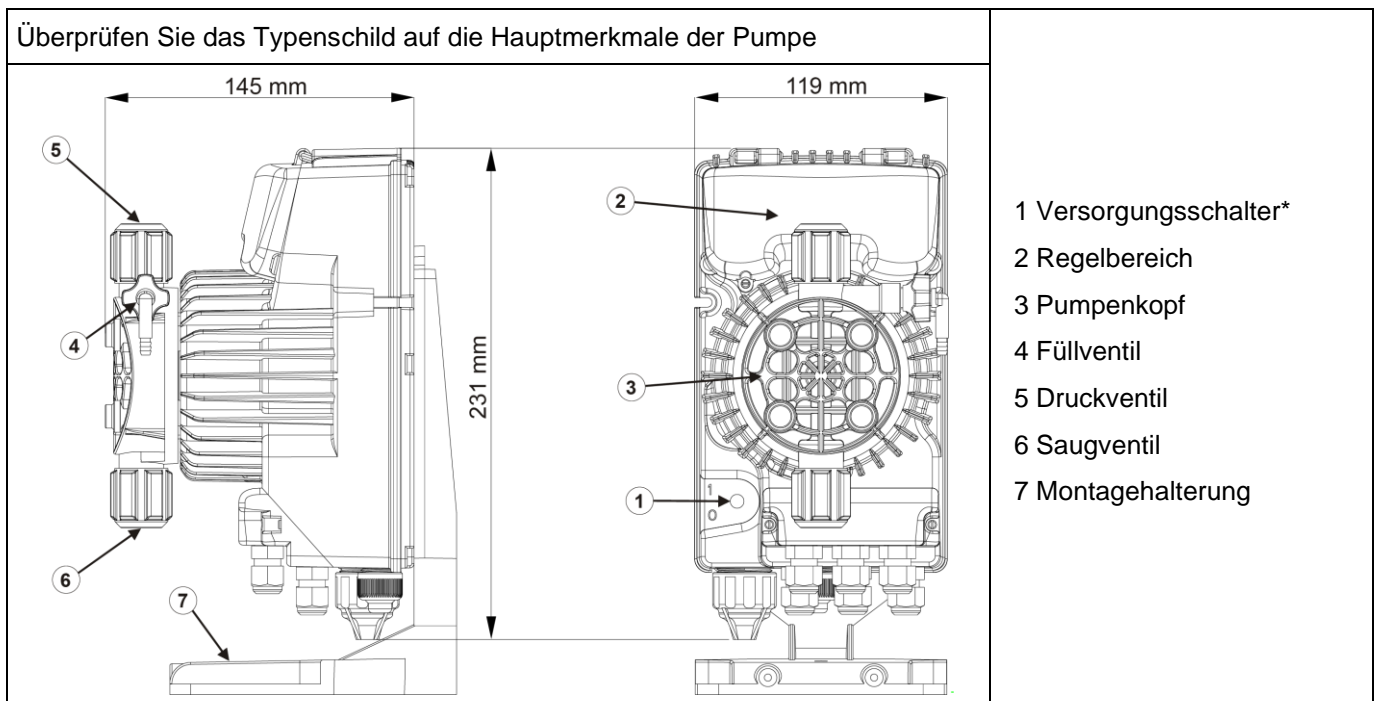
- A. Undurchsichtiger Schlauch für den Anschluss des Pumpenausgangs an den Einspritzpunkt
- B. Transparenter Schlauch für die Ansaugung und für die manuelle Befüllung Anschluss
- C. Bodenfilter
- D. Einspritzventil
- E. Schlauchhalterung
- F. Schlauchdurchführung
- G. Mutter
- H. Anleitung

## 2 Einleitung



**PRÜFEN SIE DEN TYPENSCHILD FÜR DIE HYDRAULISCHEN EIGENSCHAFTEN IHRER PUMPE**

Die Dosierpumpe besteht aus einer Steuereinheit, in der die Elektronik und der Magnet installiert sind, und einer Hydraulikeinheit, die in ständigem Kontakt mit der zu dosierenden Flüssigkeit steht.



\* Bei einigen Modellen ist der Schalter nicht vorhanden. Für diese Art von Pumpen, mit gedrückter **sel** für mindestens 5 Sekunden die Pumpe wird nicht mehr funktioniert und all die LEDs blinken um anzuzeigen seinen Zustand; in diesem Zustand die Pumpe ist funktionieren nicht.

Durch Drücken erneute **sel** die Pumpe kehrt zu ihren funktionierenden Zustand.

Die Teile, die mit der Flüssigkeit in Kontakt kommen, wurden eigens ausgewählt, um eine optimale chemische Kompatibilität zu gewährleisten und ermöglichen den Einsatz von nahezu allen handelsüblichen Chemikalien. Da eine Vielzahl unterschiedlicher Chemikalien auf dem Markt erhältlich ist, sollte ein chemischer Kompatibilitätstest zwischen dosiertem Produkt und Kontaktmaterial durchgeführt werden.

## VORSICHTSMASSREGELN!

Lesen Sie die folgenden Hinweise vor der Installation oder Wartung der Pumpe.

**Achtung:** wir empfehlen die installation der Pumpe in einer vertikalen position um einen ordnungsgemässen betrieb zu gewährleisten.

**Achtung:** produkt vorgesehen für professionelle nutzung durch geschultes personal.

**Achtung:** vor allen Arbeiten an der Pumpe, klemmen Sie immer zunächst die Stromzuführung ab..

**Achtung:** die sicherheitsmassregeln in bezug auf das dosierte produkt befolgen.

## 3 Technische Merkmale

Materialien des Pumpen Kopfes:

- **Pumpenkopf:** PVDF
- **Ventile:** PVDF
- **Kugeln:** Keramik
- **Membran:** PTFE
- **O-Ring:** FKM-B/EPDM

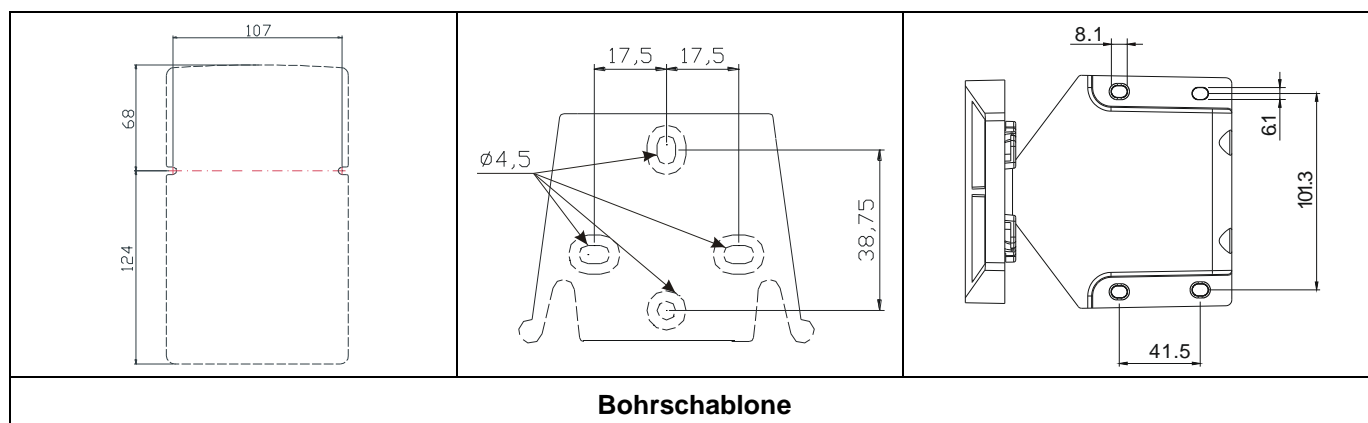
**Hinweis:** Für die technischen Eigenschaften der Pumpe siehe Typenschild.

Lesen Sie die folgenden Hinweise vor der Installation oder Wartung der Pumpe:

1. Verschiedene technische Parameter aller Pumpen werden mit Wasser als Medium erhalten. Vor der Dosierung von chemischen Produkten, die mit Wasser reagieren können, wie zum Beispiel Schwefelsäure, trocknen Sie gründlich alle inneren Teile des Pumpenkörpers.
2. Installieren Sie die Pumpe in einem Bereich, wo die Umgebungstemperatur nicht 40°C überschreitet und die relative Feuchtigkeit unter 90% ist. Die Pumpe hat ein Schutzniveau von IP65.
3. Die Pumpe muss so installiert werden, dass alle Prüf- und Wartungsarbeiten einfach durchzuführen sind; die Pumpe ist danach fest zu sichern, damit übermäßige Vibrationen vermieden werden.
4. Überprüfen Sie, ob die Spannungsversorgung mit der Nennspannung auf dem Pumpenetikett kompatibel ist.
5. Überprüfen Sie, ob der Installationsortsdruck den maximalen Nennbetriebsdruck der Dosierpumpe zuerst während der Dosierung überschreitet.

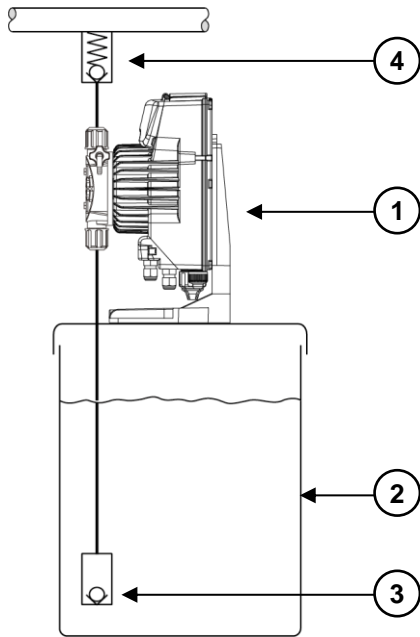
## 4 Installation

Die Pumpe muss auf einer stabilen, ebenen, horizontalen Oberfläche installiert werden.



## 4.1 Vorschläge zur Pumpeninstallation

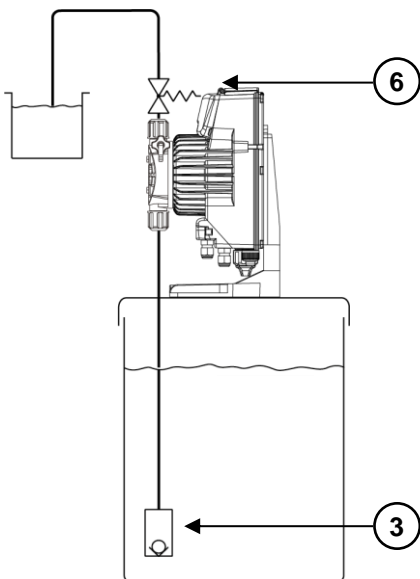
### 4.1.1 Standard Installation



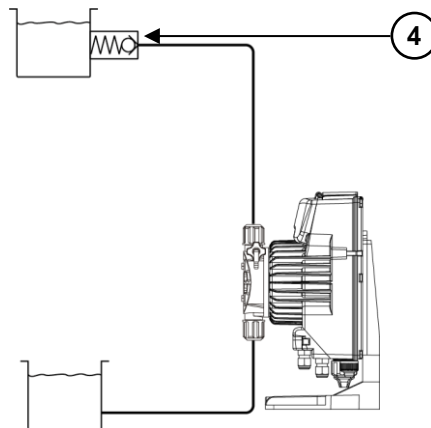
Beschreibung	
1	Dosierpumpe
2	Tank
3	Fußfilter mit Kugelrückschlagventil
4	Einspritzventil
5	Einspritzventil mit verstärkter Feder
6	Multifunktionsventil
7	Gegendruckventil (Installation der Druckleitung)
8	Pulsationsdämpfer
9	Ablassventil
10	Entlüftungsventil
11	Absperrventil

### 4.1.2 Atmosphärische Entladung

#### 4.1.2.1 Atmosphärischer Abfluss und niedrige Förderhöhe

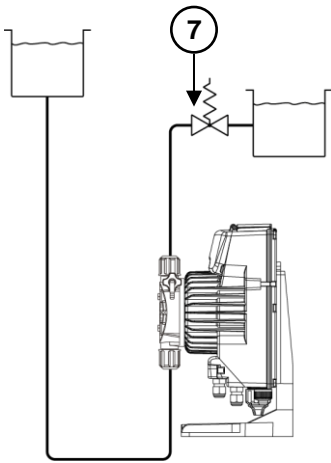


#### 4.1.2.2 Atmosphärischer Abfluss und hohe Förderhöhe

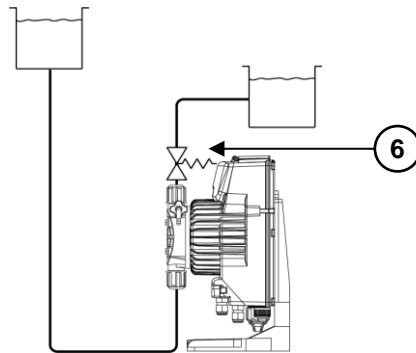


### 4.1.3 Mit Gegendruck

4.1.3.1 Gegendruck auf der Saugseite und hohe Druckhöhe

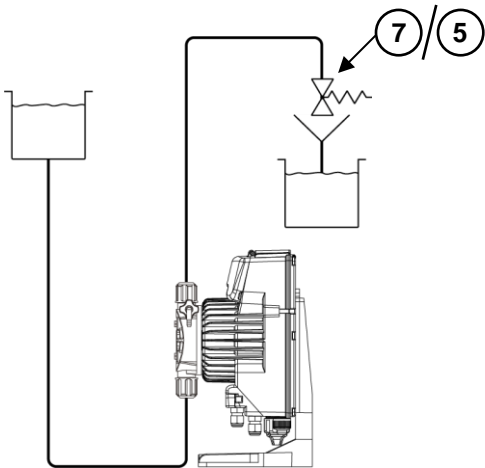


4.1.3.2 Gegendruck auf der Saugseite und niedrige Druckhöhe

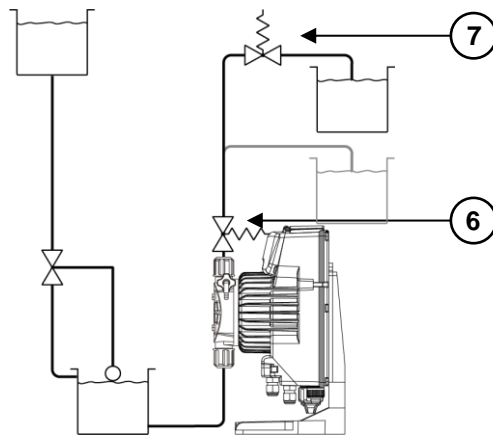


### 4.1.4 Mit sicherem Siphonschutz

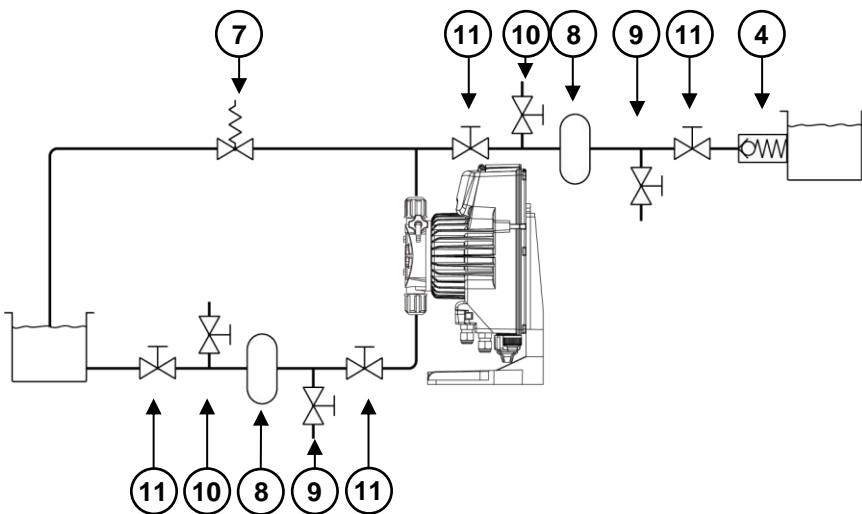
4.1.4.1 Installation zur Vermeidung des Ablassens von gefährlichen Stoffen



4.1.4.2 Installation zur Vermeidung des Ablassens von gefährlichen Stoffen

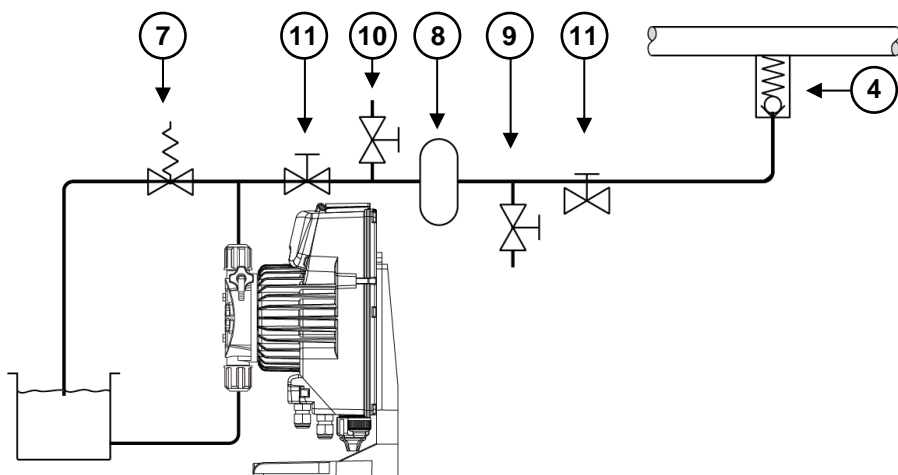


### 4.1.5 Mit langen Saug- oder Druckleitungen

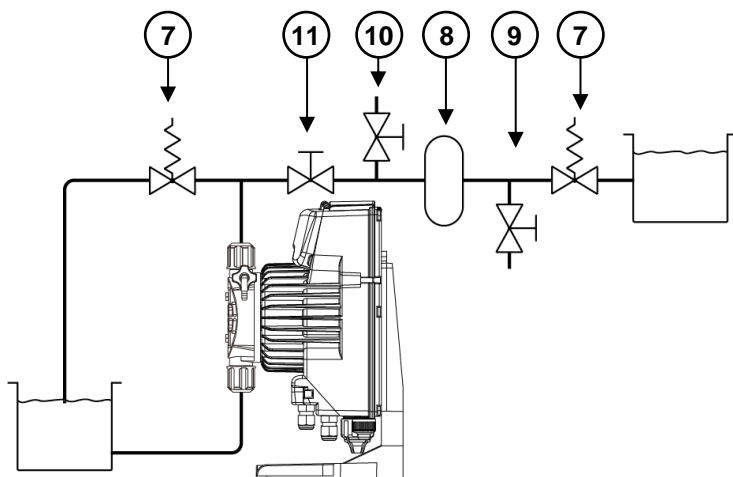


### 4.1.6 Für pulsationsfreies messen

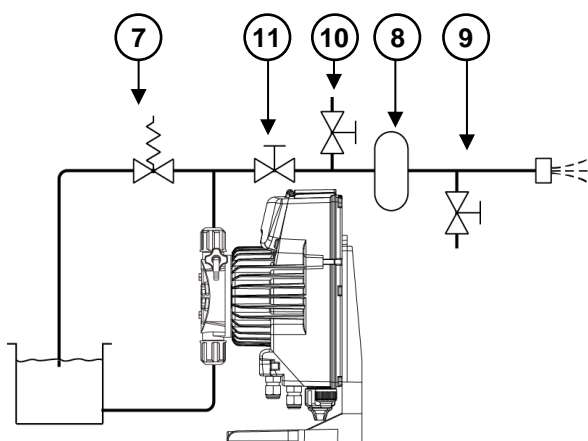
#### 4.1.6.1 In die Abflussleitungen



#### 4.1.6.2 In ein atmosphärisches System

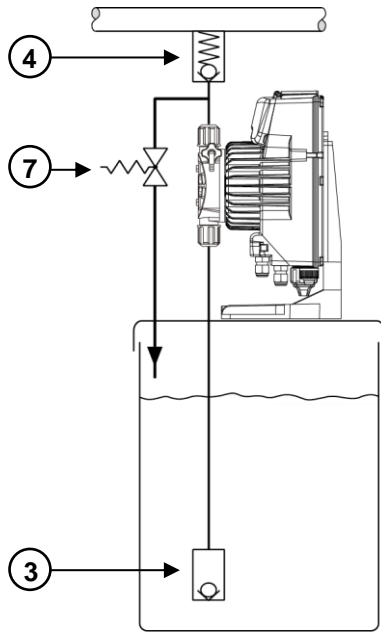


#### 4.1.6.3 Ohne Überfütterung

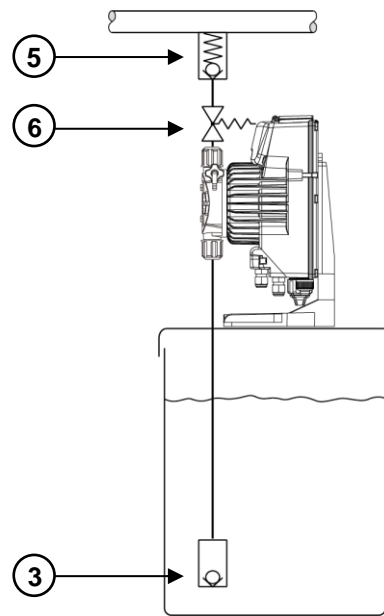




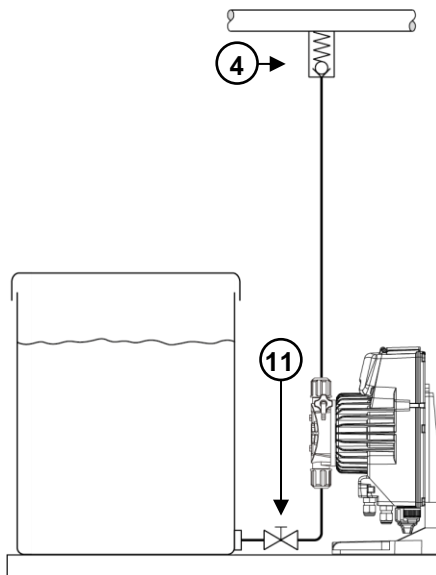
#### 4.1.7 Zum Schutz vor Überdruck



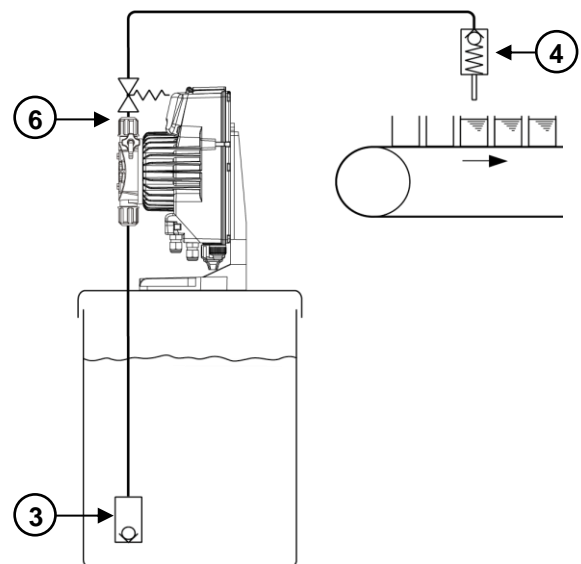
#### 4.1.8 Messung ins Vakuum



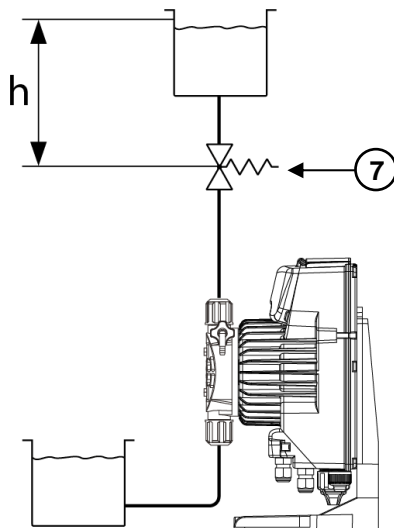
#### 4.1.9 Mit Stoffen, die dazu neigen, Rauch und Dämpfe abzugeben



#### 4.1.10 Individuelle Impulsmessung



#### 4.1.11 Korrekte Gegendruck Ventil Einstellung



Berechnung der max. zulässigen Leitungshöhe  $h_{max}$  über dem Gegendruckventil:

$$h_{max} \leq \frac{P \times 14.3}{\rho \times g}$$

$h_{max}$  = Maximale Leitungshöhe (m)

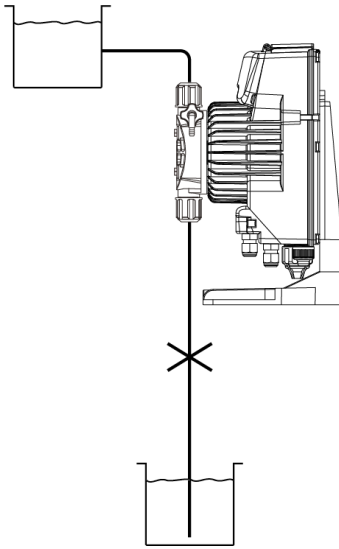
P = eingestellter Vorspanndruck (bar)

g = Gravitationskonstante (10 m/s<sup>2</sup>)

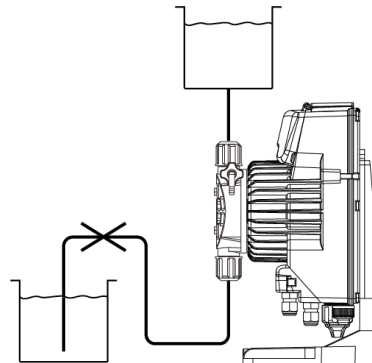
$\rho$  = Dichte des zuzuführenden Stoffes (kg/dm<sup>3</sup>)

## 4.2 Falsche Pumpeninstallationen

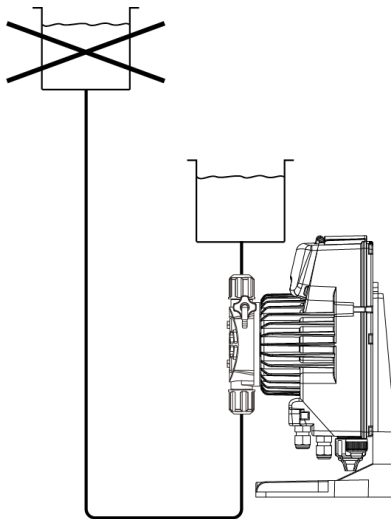
### 4.2.1 Ansaugleitung zu hoch



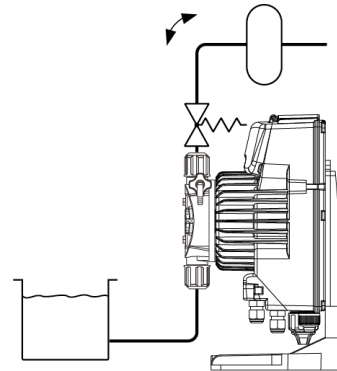
### 4.2.2 Freier Durchfluss, der Stoff wird durch die Schwerkraft durch die Pumpe gefördert



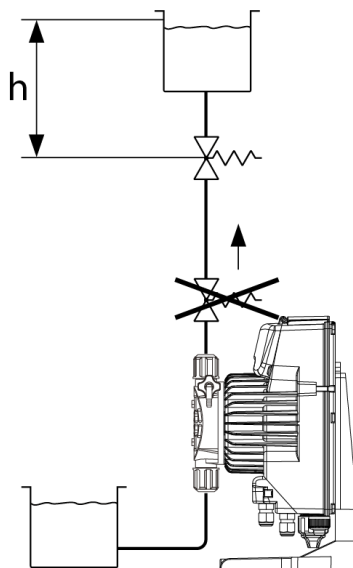
### 4.2.3 Ansaugleitung kann nicht entlüftet werden



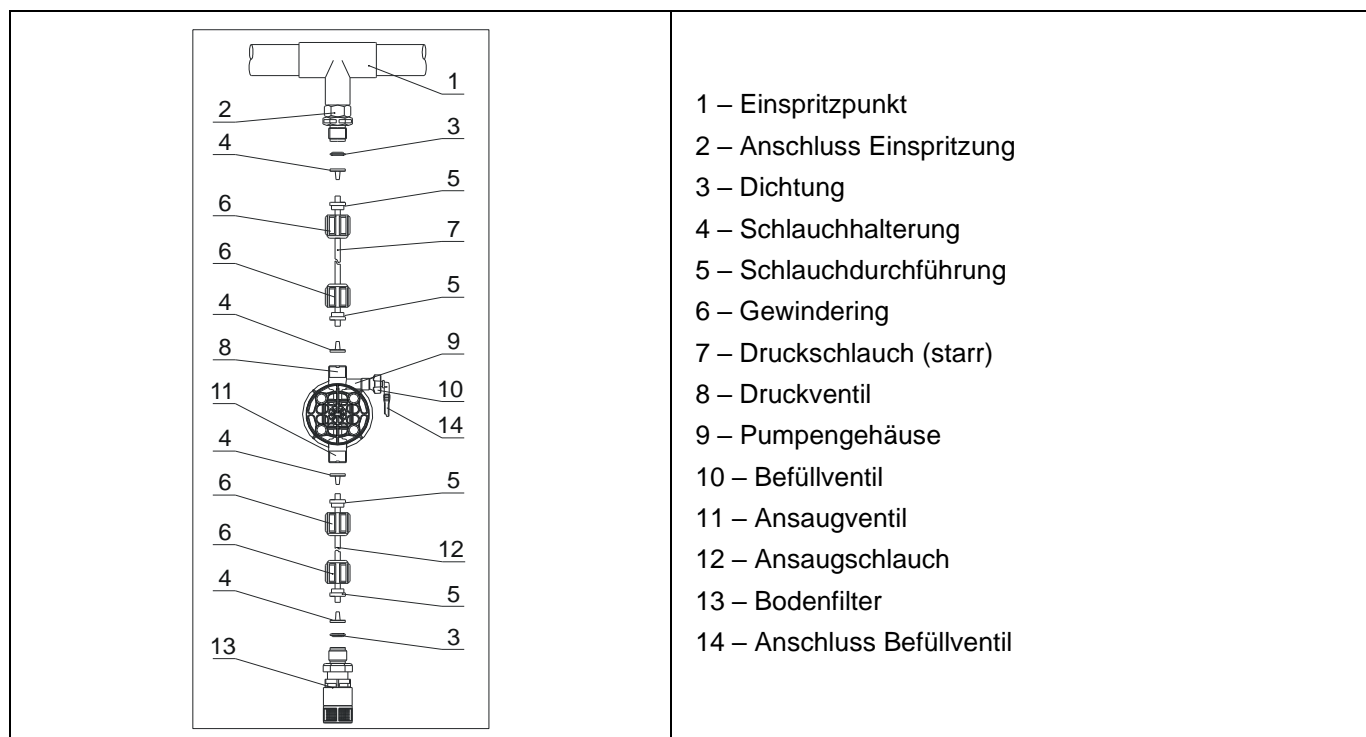
### 4.2.4 Akkumulator unwirksam



### 4.2.5 Falsche BPV-Position



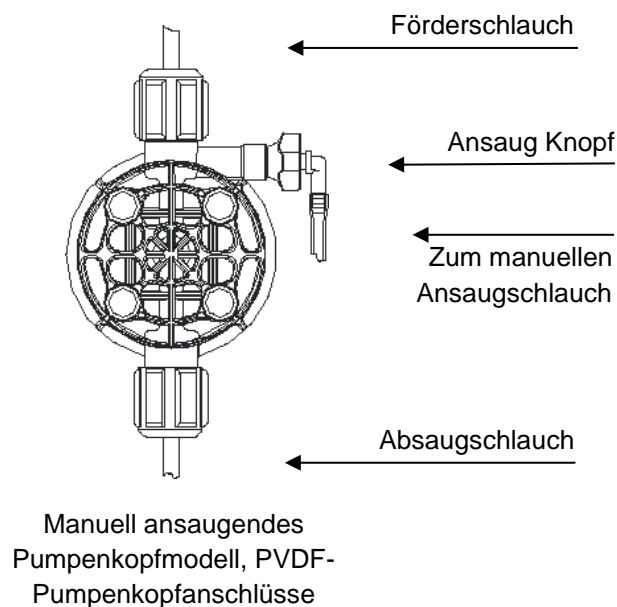
### 4.3 Hydraulikanschlüsse



#### 4.3.1 Ansaugschlauch

Stecken Sie eine Seite des Ansaugschlauchs in den Auslassanschluss. Stecken Sie die andere Seite des Ansaugschlauchs in den Tank des Produkts.

Während des Ansaugvorgangs fließt das überschüssige Produkt in den Tank.



Es ist erlaubt, den Ansaugschlauch leicht zu biegen.



**Stecken Sie während des Kalibriervorgangs („TEST“) den Ansaugschlauch in das BECKER-Prüfröhrchen.**



**Ansaug- und Auslassventile müssen in vertikaler Position sein**

### 4.3.2 Ansaugung der Pumpe



Die Ansaugleitung sollte so kurz wie möglich sein und in vertikaler Position installiert werden, um Luftblasen beim Ansaugen zu vermeiden.

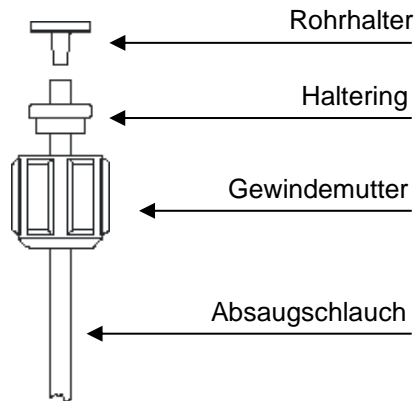
Schrauben Sie die Spannmutter vollständig vom Pumpenkopf ab und entfernen Sie die Komponenten: Spannmutter, Haltering und Rohrhalter.

Führen Sie den Schlauch in den Rohrhalter ein, bis er den Boden erreicht. Sichern Sie den Schlauch am Pumpenkopf, indem Sie die Spannmutter festschrauben.



**Ziehen Sie die Muttern handfest an.**

Benutzen Sie keine Zange oder ein anderes Werkzeug.

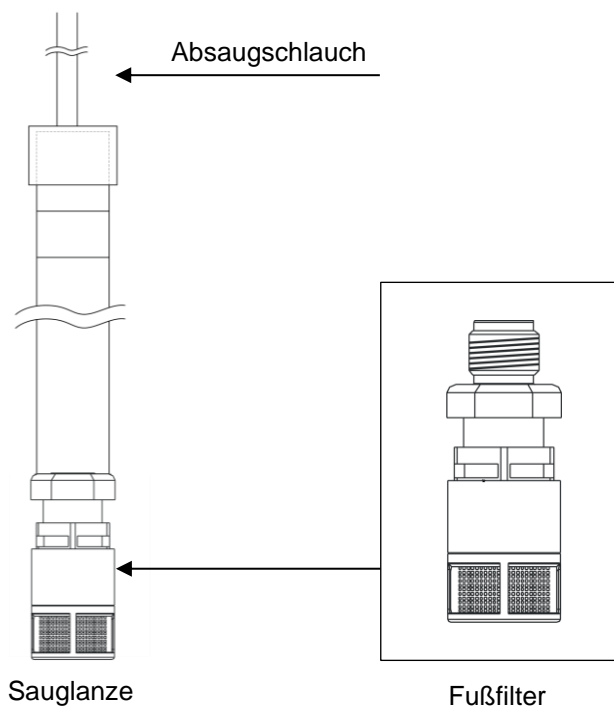


Montage des Saugschlauchs

#### Installation des Fußfilters

Die Niveausonde ist mit einem Fußfilter ausgestattet, der Probleme mit dem Ansaugen von Sedimenten verhindert.

Installieren Sie die Füllstandssonde auf dem Boden des Tanks.



**Warnung:** Wenn ein Mischer im Tank installiert ist, installieren Sie eine Sauglanze anstelle der Füllstandssonde / des Fußfilters.

### 4.3.3 Pumpenförderung



**Der Förderschlauch muss fest verlegt werden, um plötzliche Bewegungen zu vermeiden, die nahe gelegene Objekte beschädigen könnten**

Schrauben Sie die Spannmutter vollständig vom Pumpenkopf ab und entfernen Sie die Komponenten: Spannmutter, Haltering und Rohrhalter.

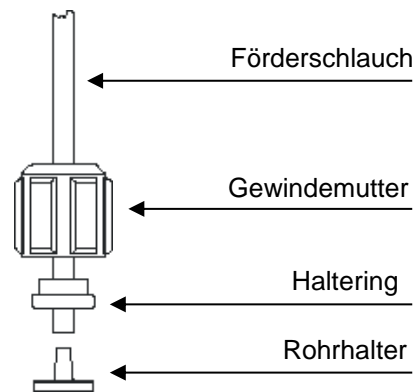
Führen Sie den Schlauch in den Rohrhalter ein, bis er den Boden erreicht. Sichern Sie den Schlauch am Pumpenkopf, indem Sie die Spannmutter festschrauben.



**Ziehen Sie die Muttern handfest an.**

Schließen Sie das andere Ende des Schlauchs auf die gleiche Weise an das Einspritzventil an.

Schließen Sie das andere Ende des Schlauches auf die gleiche Weise an das Einspritzventil an.



Montage des Förderschlauchs

### Einspritzvorrichtung

Die Einspritzvorrichtung muss an der Anlage ab dem Wassereinlauf installiert werden.

Der Einspritzanschluss öffnet sich bei einem Druck von mehr als 0,3 bar.

## 4.4 Elektrische Anschlüsse

	<p>Eingang A = Stromversorgung</p> <p>Eingang B = Füllstand</p>	<p>Die Pumpe darf nur an eine Stromquelle angeschlossen werden, die den Angaben auf dem Typenschild entspricht, das seitlich an der Pumpe angebracht ist. Die Nichtbeachtung der angegebenen Grenzwerte kann zu einer Beschädigung der Pumpe führen.</p> <p>Die Pumpen wurden geplant, um geringe Überspannungen absorbieren zu können. Um Schäden an der Pumpe zu vermeiden, sollte daher immer sichergestellt werden, dass sie keine Energiequelle zusammen mit anderen elektrischen Apparaten nutzt, die hohe Spannungen erzeugen.</p> <p><b>Der Anschluss an eine Dreiphasenleitung mit 380 V darf ausschließlich zwischen Phase und Nullleiter erfolgen. Verbindungen zwischen Phase und Erdung dürfen nicht vorgenommen werden.</b></p>
--	---	---

## 4.5 Hinweis

Nach etwa 800 Betriebsstunden die Bolzen des Pumpengehäuses mit einem Anzugsmoment von 4 Nm anziehen.

Zum Durchführen der Wasseranschlüsse müssen folgende Hinweise beachtet werden:

- Den **BODENFILTER** etwa 5-10cm über dem Boden installieren, um eventuelle Ablagerungen zu vermeiden.
- Die Installation unter dem Flüssigkeitsstand wird bei Pumpen mit sehr geringer Fördermenge empfohlen. Insbesondere für die Dosierung von Produkten, die Gase entwickeln (z.B. Natriumhypochlorit, Hydrazin, Wasserstoffperoxid,...).
- Unsere Pumpe ist mit dem Saugschlauch und Ablaufschlauch ausgestattet. Bei Schläuchen, die länger als die im Installationssatz enthaltenen sind, ist es wichtig, dass diese dieselben Maße wie die mit der Pumpe gelieferten aufweisen.
- Wenn die Pumpe Sonnenstrahlung ausgesetzt ist, empfiehlt sich der Einsatz eines schwarzen, UV-beständigen Schlauchs.
- Der **EINSPRITZPUNKT** sollte höher als die Pumpe oder der Tank liegen.
- Das zusammen mit der Pumpe gelieferte **EINSPRITZVENTIL** muss immer am Ende der Druckleitung des Dosierflusses installiert werden.

## 4.6 Vorsichtsmaßnahmen für den Gebrauch

Die Betriebsspannung der elektromagnetischen Pumpe beträgt 100-240V, 50/60Hz. Die Pumpen wurden für die Absorption von geringen Überspannungen ausgelegt. Aus diesem Grund, um die Beschädigung der Pumpe zu vermeiden, ist es immer vorzuziehen, sicher zu stellen, dass die Stromquelle der Pumpe nicht mit anderen Elektrogeräten, die Spannung erzeugen, geteilt wird.

Um den elektrischen Schlag zu reduzieren, muss die Steckdose der Dosierpumpe gut geerdet sein. Trennen Sie die Erdleiter vom Neutralleiter und decken Sie mit Kappen die Pumpenkopfschrauben.

Der dauerhafte Leerlauf (im besten Fall überschreitet nicht 3 Minuten) ist strikt zu untersagen.

Vor der Dosierung von chemischen Produkten, die mit Wasser reagieren könnten, wie konzentrierte Schwefelsäure, trocknen Sie alle inneren Teile der Installationen gründlich (es gibt einiges Wasser im Pumpenkopf bei der Lieferung ab unserem Werk).

Die Dosierpumpe kann nicht verwendet werden, wenn diese den Nenndruck überschreitet. Der Nenndruckwert ist auf dem Typenschild der Dosierpumpe angegeben und die Einheit ist bar. (1 bar = 1 Kilogramm Kraft/cm<sup>2</sup> = 10 Meter Wassersäule). Wenn der Nenndruck überschritten wird, kann die Pumpe beschädigt werden.

Die Umgebungstemperatur für die Pumpeninstallation kann nicht 40°C überschreiten und die relative Feuchtigkeit kann nicht über 90% sein; die Pumpe kann nicht an einem Ort mit Sonnenexposition installiert werden; die Pumpe kann dem Regen nicht ausgesetzt sein.

Wählen Sie für die Pumpeninstallation einen Ort aus, der geeignet für Detektion und Wartung ist, und befestigen Sie die Pumpe, um unnötige Vibration zu vermeiden. Die Pumpe muss auf einer horizontalen Fläche installiert werden.

Bestätigen Sie, dass die Einlass- und Auslassrohrleitungsrichtung der Pumpe richtig installiert ist. Die Einlass-/Auslassventil kann nicht getauscht werden.

Halten Sie die Einlass-/Auslassventile sauber.

Wenn die Saug- und Druckventile gereinigt werden, müssen diese sorgfältig demontiert und wieder zusammengebaut werden. Das Fehlen jedes Teils wird den normalen Betrieb beeinflussen.

Die gelieferten Schläuche, Fußventil und Einspritzventil müssen zusammen verwendet werden. Diese sind die notwendigen Bedingungen für genaue Dosierung.

Soweit Bedingungen dies zulassen, sollte ein Sicherheitsventil konfiguriert werden, um Beschädigungen der Pumpe durch Verstopfung zu vermeiden.

Bitte ziehen die Rohranschlussmutter nur mit den Händen fest und verwenden Sie keine Werkzeuge dabei.

## **Anschluss der Saug- und Ablaufschläuche**

Verwenden Sie die mitgelieferte Schlauchhalterung und Schlauchdurchführung; Ziehen Sie die Mutter fest, um das Auslaufen von Flüssigkeiten aus dem Rohr zu verhindern was zu Fehlfunktionen der Pumpe führen kann. Überprüfen Sie die Rohrleitungsbedingungen regelmäßig. Bei Alterung des Schlauchanschlusses ersetzen Sie bitte den Schlauch oder schneiden Sie den gealterten Teil ab und ziehen Sie ihn wieder fest.

## **Manuelle Befüllung**

Das Befüllventil befindet sich auf der rechten Seite der Dosierpumpe. Nach Abschrauben ist die Dosierpumpe festgezogen nachdem Gas im Arbeitszustand abgesaugt ist. Der Ansaugauslass muss zu dem Schlauch für das Absaugen der Gas-Flüssigkeit-Mischung angeschlossen sein, damit das Tropfen auf dem Pumpenkopf und Schraubenkorrosion vermieden werden.

Der Druck der Auslaufrohrleitung muss höher als der Druck der Einlaufrohrleitung sein. Andernfalls wird Siphon erzeugt. Nach 800 Betriebsstunden die Befestigungsschrauben des Pumpenkörpers wieder festziehen.

## **4.7 Start**

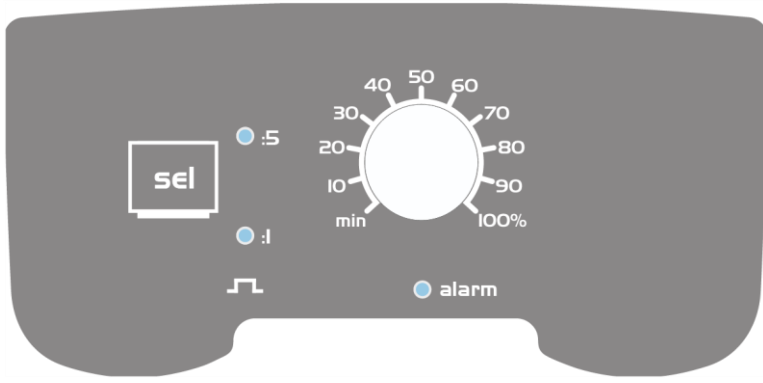
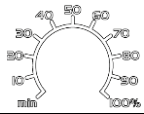

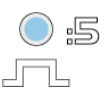


Nach der Durchführung aller zuvor beschriebenen Schritte ist die Pumpe für den Start bereit.

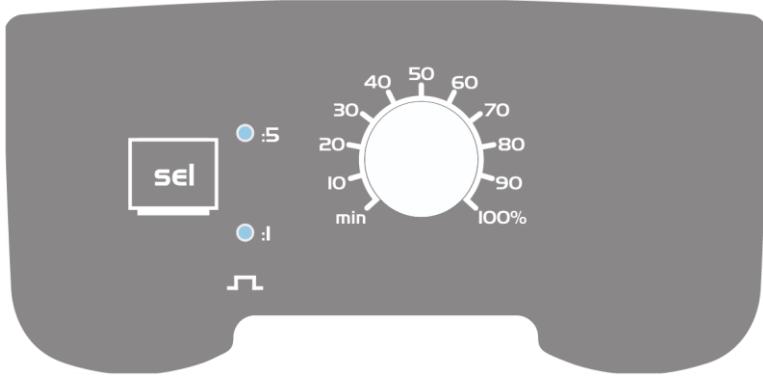
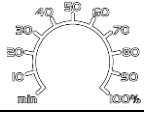

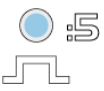

## **4.8 Befüllen**

- Pumpe starten
- Das Füllventil öffnen, indem der entsprechende Knopf im Gegenuhrzeigersinn gedreht wird, und so lange warten, bis aus dem dort angeschlossenen Schlauch Flüssigkeit austritt.

Nachdem sichergestellt wurde, dass die Pumpe vollkommen mit Flüssigkeit gefüllt ist, kann das Ventil wieder geschlossen werden und die Pumpe beginnt zu dosieren

## 5 Steuertafel

<b>Tekna AKL</b>	
	
	Potenziometer zur prozentualen Einstellung (%) der Förderleistung
	Knopf zur Auswahl der Höchstfrequenz
	Anzeige-Led Höchstfrequenz (:5) und Dosierimpuls
	Anzeige-Led Höchstfrequenz und Dosierimpuls
	Anzeige-Led Alarm Füllstandssonde

<b>Tekna AKS</b>	
	
	Potenziometer zur prozentualen Einstellung (%) der Förderleistung
	Knopf zur Auswahl der Höchstfrequenz
	Anzeige-Led Höchstfrequenz (:5) und Dosierimpuls
	Anzeige-Led Höchstfrequenz und Dosierimpuls



## 6 Alarme (nur Tekna AKL)

Anzeige	Ursache	Unterbrechung
Alarm-Led leuchtet kontinuierlich	Alarm Füllstandssonde (Flüssigkeit im Behälter zu Ende)	Flüssigkeit nachfüllen

## 7 Störungsbehebung

Störung	Mögliche Ursache	Lösung
Die Pumpe arbeitet ordnungsgemäß, aber die Dosierung wird unterbrochen	Blockiertes Ventil	Säubern Sie die Ventile oder ersetzen Sie sie, falls es nicht möglich ist, die Kleinteile zu entfernen
	Zu große Ansaughöhe	Verändern Sie die Position der Pumpe bzw. des Tanks, um die Ansaughöhe zu reduzieren
	Extrem zähflüssige Flüssigkeit	Verringern Sie die Ansaughöhe oder verwenden Sie eine Pumpe mit einer höheren Durchflusskapazität .
Mangelnde Durchflusskapazität	Undichtetes Ventil	Überprüfen Sie, ob die Ringmuttern ordnungsgemäß angezogen sind
	Extrem zähflüssige Flüssigkeit	Verringern Sie die Ansaughöhe oder verwenden Sie eine Pumpe mit einer höheren Durchflusskapazität .
	Teilweise blockiertes Ventil	Säubern Sie die Ventile oder ersetzen Sie sie, falls es nicht möglich ist, die Kleinteile zu entfernen
Ungleichmäßige Pumpendurchflusskapazität	Siphoneffekt auf der Druckseite	Überprüfen Sie die Installation des Einspritzventils. Setzen Sie erforderlichenfalls ein Gegendruckventil ein
	Transparentes PVC-Rohr auf der Druckseite	Verwenden Sie auf der Druckseite ein undurchsichtiges PE-Rohr
	Pumpe nicht ordnungsgemäß kalibriert	Überprüfen Sie die Pumpendurchflusskapazität im Verhältnis zum Systemdruck
Beschädigte Membran	Zu hoher Gegendruck	Prüfen Sie den Systemdruck. Überprüfen Sie, ob das Einspritzventil blockiert ist. Prüfen Sie, ob es zwischen den Ventilen auf der Druckseite und dem Einspritzpunkt Blockaden gibt
	Betrieb ohne Flüssigkeit	Überprüfen Sie, ob der Fußfilter (Ventil) vorhanden ist. Verwenden Sie eine Niveausonde, die die Pumpe blockiert, wenn die Chemikalie im Tank aufgebraucht ist.
	Membran nicht richtig befestigt	Bei Ersatz der Membran prüfen, dass diese wieder richtig befestigt wird
Die Pumpe geht nicht an	Unzureichende Versorgung	Prüfen, ob die Werte auf dem Typenschild der Pumpe mit denen des Stromnetzes übereinstimmen

## 8 Wartung

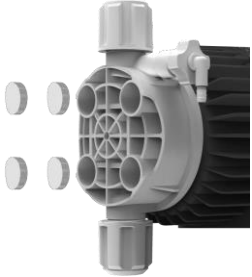


### 8.1 Vorkehrungen

- Bevor Sie mit den Wartungsarbeiten an der Pumpe beginnen, vergewissern Sie sich, dass alle elektrischen Verbindungen getrennt wurden.
- Machen Sie die Pumpe vollständig drucklos und entleeren Sie die Leitungen in dem Abschnitt, in dem die Wartung erforderlich ist
- Arbeiten Sie immer mit der erforderlichen Sicherheitsausrüstung.
- Gießen Sie keine umweltschädlichen Substanzen wie gepumpte Chemikalien, Hydraulikflüssigkeit oder Schmieröl in die Umgebung
- Lesen Sie die technischen Daten der dosierten und behandelten Flüssigkeiten sorgfältig durch, um sich über die Risiken und die zu ergreifenden Maßnahmen im Falle eines versehentlichen Kontakts mit einer gefährlichen Flüssigkeit bewusst zu sein.

### 8.2 Pumpenkopf

**Die Pumpe nicht ohne Prozessflüssigkeit betreiben. Mindestens alle sechs Monate den Pumpenkopf demontieren und folgende Schritte ausführen:**

- Saug- und Druckleitung abtrennen
- Prozessflüssigkeit aus dem Pumpenkopf und den Rohrleitungen ablassen
- Montieren Sie den Pumpenkopf wie folgt ab:

<p>a) Entfernen Sie die 4 Kappen, um an die Schrauben zu gelangen</p> <p>b) Lösen Sie die Schrauben, mit denen der Pumpenkopf am Mechanismus befestigt ist</p>	
<p>c) Nehmen Sie den Pumpenkopf ab und waschen Sie die Saug- und Druckventile gründlich aus</p> <p>d) Überprüfen Sie, ob die Dichtung verschlissen ist; ersetzen Sie es bei Bedarf</p>	
<p>e) Untersuchen Sie die Membrane auf Anzeichen von Verschleiß</p>	

- Bringen Sie den Pumpenkopf wieder an und befestigen Sie die Bolzen
- Setzen Sie die Kappen wieder auf die Löcher der Schraube

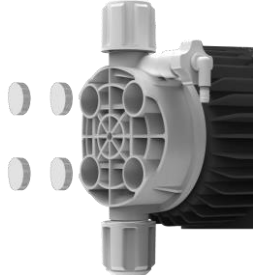

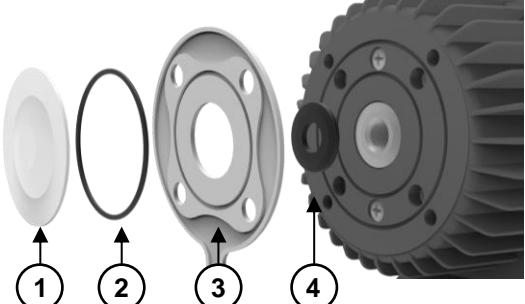
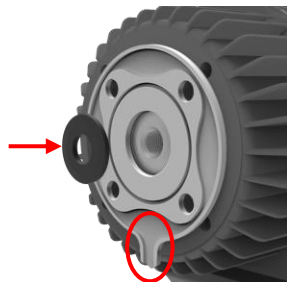
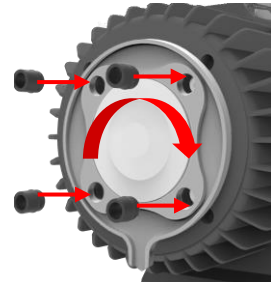


**Ziehen Sie die Schrauben im Pumpengehäuse mit einem Anzugsmoment von 4 Nm an.**

### 8.3 Austausch der Membran

Wenn im Bereich des Pumpenkopfes Lecks auftreten, führen Sie bitte nach der Wartung des Pumpenkopfes den Austausch der Membran durch:

- Trennen Sie die Saug- und Druckleitungen, lassen Sie die Prozessflüssigkeit aus dem Pumpenkopf und den Leitungen ab
- Montieren Sie den Pumpenkopf und die Membrane wie folgt ab:

<p>a) Entfernen Sie die 4 Kappen, um an die Schrauben zu gelangen</p> <p>b) Lösen Sie die Schrauben, mit denen der Pumpenkopf am Mechanismus befestigt ist</p> <p>c) Ziehen Sie den Pumpenkopf heraus</p>	
<p>d) Entfernen Sie die Membran (weiße PVDF-Scheibe), indem Sie sie aus ihrem Gehäuse schrauben</p>	
<p>e) Untersuchen Sie alle Teile auf Anzeichen von Verschleiß und Abnutzung: Membrane (1), Membrandichtung (2), große Antisickerscheibe (3) und kleine Antisickerscheibe (4)</p> <p>f) Ersetzen Sie defekte Teile</p>	
<p>g) Die große Anti-Sickerscheibe muss so installiert werden, dass der kleine gerillte Teil auf der Unterseite des Pumpengehäuses liegt und vom Magneten abgewandt ist, wobei die 4 Löcher mit den Schraubengehäusen des Pumpengehäuses übereinstimmen müssen.</p> <p>h) Die kleine Anti-Sickerscheibe muss in der Mitte der größeren Scheibe, oben auf dem Kolben des Magneten, positioniert werden.</p>	
<p>i) Schrauben Sie die Membrane auf den Kolben des Magneten</p> <p>j) Setzen Sie die 4 mitgelieferten Dichtungen in die Löcher ein und achten Sie dabei auf die Richtung: das kürzere Ende muss auf den Boden des Lochs gesetzt werden</p>	

- Montieren Sie den Pumpenkopf wieder, befestigen Sie die Schrauben und setzen Sie die Kappen wieder auf die Schraubenlöcher

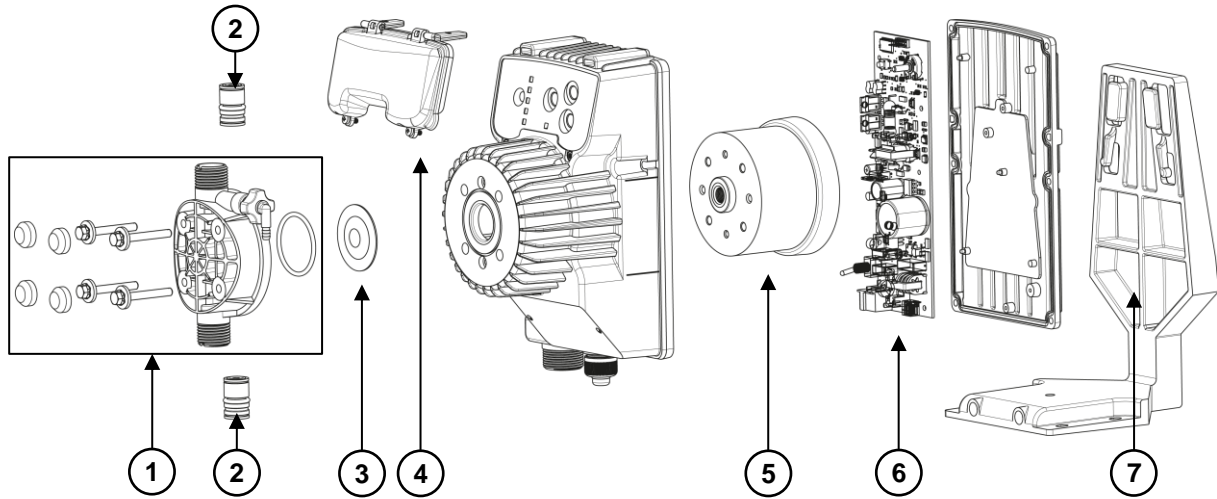


**Ziehen Sie die Schrauben im Pumpengehäuse mit einem Anzugsmoment von 4 Nm an.**

## 8.4 Explosionszeichnung der Ersatzteile

Um eine ordentliche Wartung zu gewährleisten und eine mögliche Zeitverschwendung zu vermeiden wird empfohlen, eine kleine Auswahl der folgenden Ersatzteile vorrätig zu halten:

- Saugventil komplett
- Druckventil komplett
- Kompletter Pumpenkopf
- Membrane, Anti-Sickerscheiben und Dichtungen



1	Pumpenkopf
2	Ventile
3	Membran
4	Abdeckung des Steuerbereichs

5	Elektromagnet
6	Hauptplatine
7	Montagehalterung

### HINWEIS



Bei der Bestellung von Ersatzteilen bitte immer das Modell und die Seriennummer der Pumpe angeben.

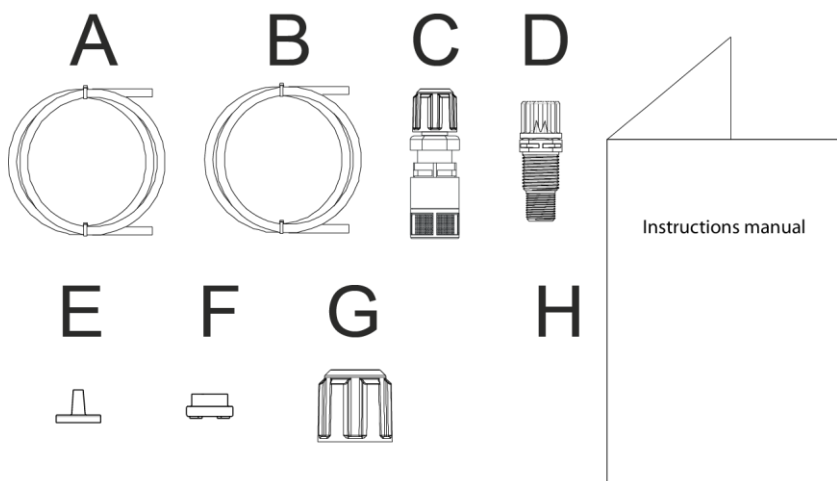
## 8.5 Hinweise zur Entsorgung

Entsorgen Sie elektronische oder giftige Materialien gemäß den geltenden Vorschriften, die von Land zu Land unterschiedlich sind.

In den meisten Ländern ist die Selbstentsorgung von elektronischen oder giftigen Materialien verboten und die Endverbraucher werden aufgefordert, sie ordnungsgemäß zu entsorgen, eventuell über gemeinnützige Organisationen, die von den lokalen Regierungen beauftragt oder von Fachleuten auf freiwilliger Basis organisiert werden.

An autorisierte Recycling-Einrichtungen senden, eventuell über zugelassene Entsorgungsunternehmen.

## 1 Contenido del embalaje



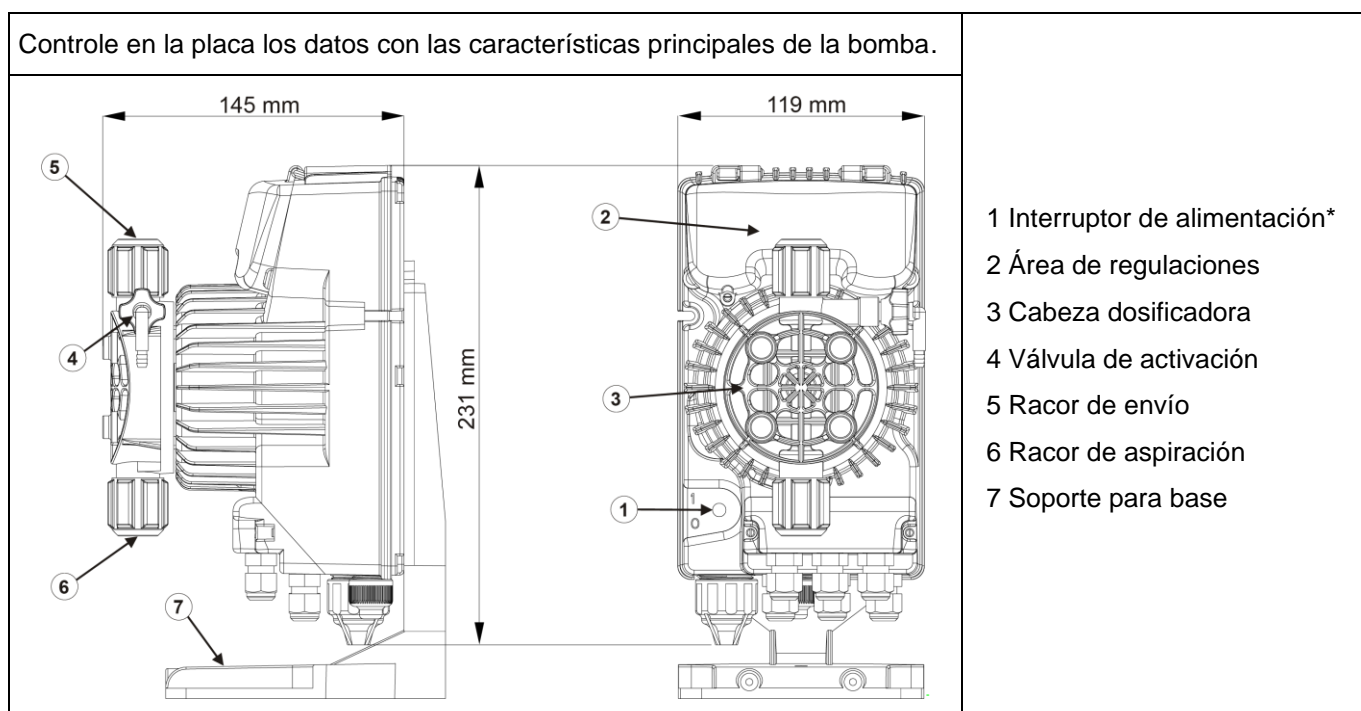
- A. Tubo opaco para la conexión de la salida de la bomba hasta el punto de inyección
- B. Tubo opaco para la conexión de la aspiración y de la válvula para el cebado manual
- C. Válvula de fondo
- D. Racor de inyección
- E. Soporte tubo
- F. Prensa tubo
- G. Tuerca
- H. Manual de instrucciones

## 2 Introducción



### CONTROLE EN LA PLACA LAS CARACTERISTICAS HIDRAULICAS DE LA BOMBA

La bomba dosificadora está compuesta por una parte de mando que aloja la electrónica y el imán y una parte hidráulica siempre en contacto con el líquido a dosificar.



\* En algunos modelos, el interruptor no está presente. Para este tipo de bombas, manteniendo pulsada **sel** por al menos 5 segundos, la bomba dejará de funcionar y todos los LED destellarán para indicar su estado; en este estado, la bomba no está dosificando. Al pulsar de nuevo **sel** la bomba vuelve a su estado de trabajo.

Las partes en contacto con el líquido han sido escogidas para garantizar una perfecta compatibilidad con la mayoría de los productos químicos utilizados normalmente. Vista la variedad de los productos químicos presentes en el mercado, aconsejamos verificar la compatibilidad química entre el producto dosificado y el material en contacto con el mismo.

## ¡PRECAUCIONES!

Leer las siguientes precauciones antes de instalar la bomba o realizar operaciones de mantenimiento sobre la misma.

¡Atención! Recomendamos la instalación de la bomba en posición vertical para garantizar el correcto funcionamiento.

¡Atención! Producto para empleo profesional, para gente experta.

¡Atención! antes de hacer cualquier trabajo en la bomba, siempre en primer lugar desconectar el cable de alimentación.

¡Atención! Seguir las instrucciones de seguridad relativas al producto dosificado.

### 3 Características técnicas

Materiales de la cabeza de la bomba (estandar):

- **Cabeza de bomba:** PVDF
- **Válvula:** PVDF
- **Bola:** Cerámica
- **Membrana:** PTFE
- **O-Ring:** FKM-B/EPDM

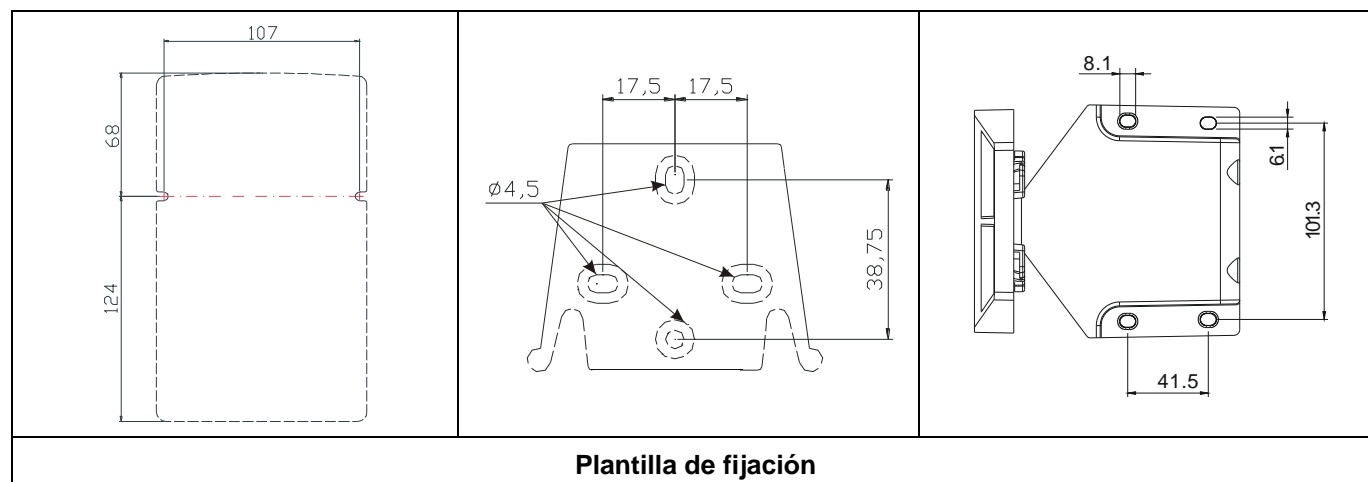
**Nota:** Para las características técnicas de la bomba ver la etiqueta.

**Lea las siguientes notas antes de instalar o realizar el mantenimiento de la bomba:**

1. Varios parámetros técnicos de todas las bombas se obtienen con agua como medio. Antes de la dosificación de productos químicos que pueden reaccionar con el agua, tales como ácido sulfúrico, secar completamente todas las partes interiores del cuerpo de la bomba.
2. Instalar la bomba en una zona donde la temperatura ambiente no sea superior a 40°C y la humedad relativa es inferior al 90%. La bomba tiene un nivel de protección IP65.
3. Instalar la bomba de manera que las operaciones de inspección y mantenimiento son fáciles de llevar a cabo, a continuación, fijar firmemente la bomba con el fin de evitar las vibraciones excesivas.
4. Comprobar que la tensión de alimentación es compatible con la tensión nominal indicada en la etiqueta de la bomba.
5. Comprobar si la presión del lugar de instalación supera la presión máxima de operación nominal de la bomba dosificadora en primer lugar, durante la dosificación.

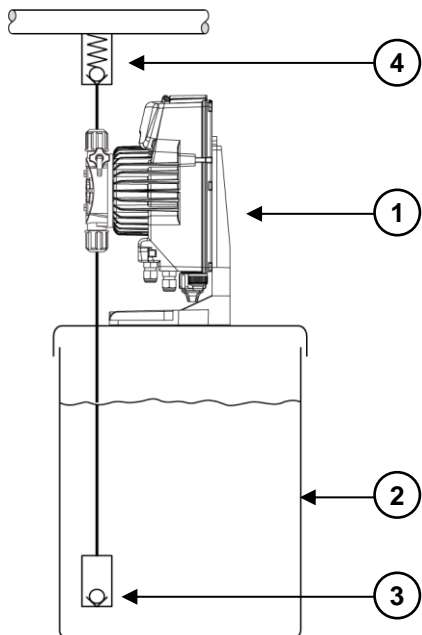
### 4 Instalación

La bomba debe instalarse sobre una superficie horizontal plana y estable.



## 4.1 Sugerencias para la instalación de la bomba

### 4.1.1 Instalación estándar

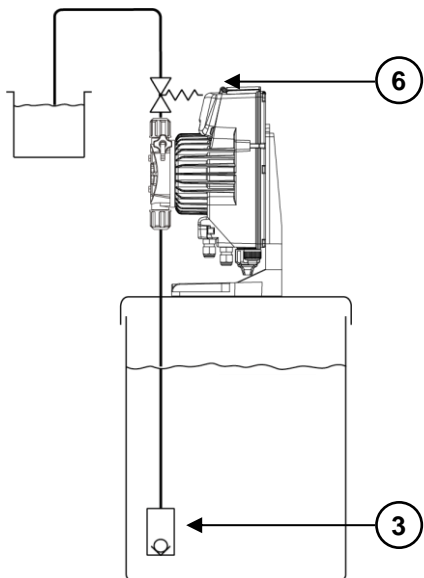


#### Descripción

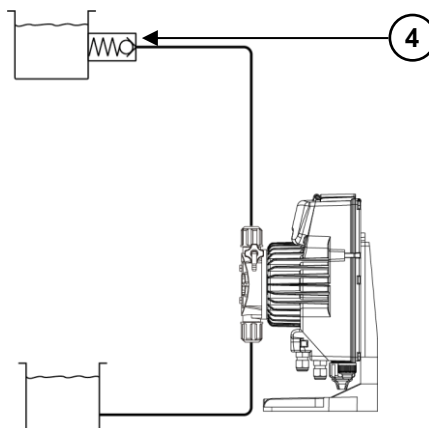
1	Bomba de medición
2	Depósito
3	Filtro de fondo con válvula de retención de bola
4	Válvula de inyección
5	Válvula de inyección con resorte reforzado
6	Válvula multifunción
7	Válvula de contrapresión (instalación de la línea de descarga)
8	Amortiguador de pulsaciones
9	Válvula de drenaje
10	Válvula de purga
11	Válvula de aislamiento

### 4.1.2 Descarga atmosférica

#### 4.1.2.1 Descarga atmosférica y cabeza baja

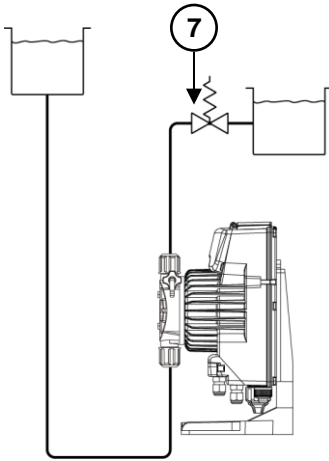


#### 4.1.2.2 Descarga atmosférica y cabeza grande

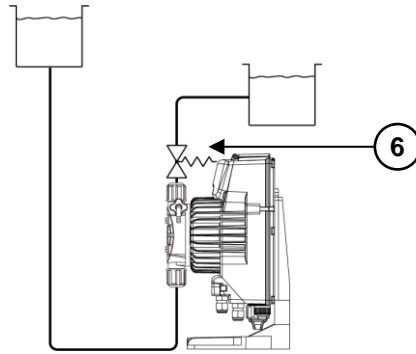


### 4.1.3 Con contrapresión

4.1.3.1 Contrapresión en el lado de aspiración y cabeza de descarga grande

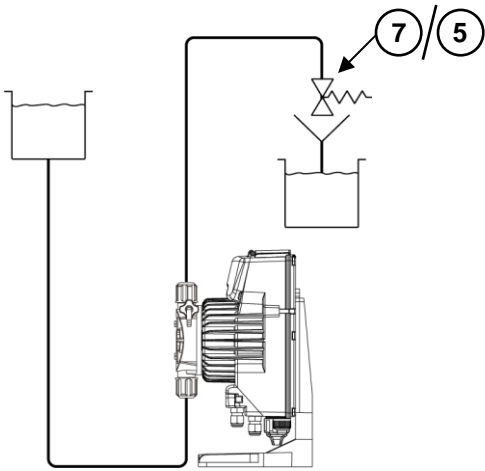


4.1.3.2 Contrapresión en el lado de aspiración y cabeza de descarga baja

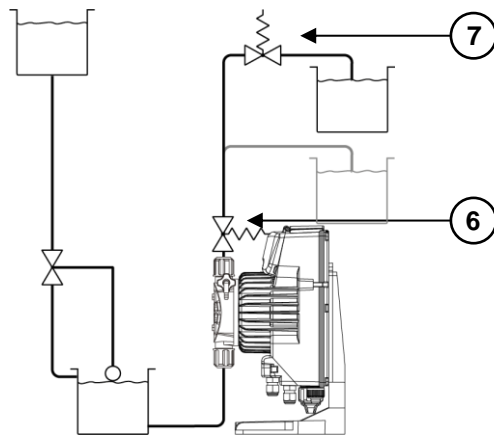


### 4.1.4 Con prevención segura para evitar el sifón (sifonaje)

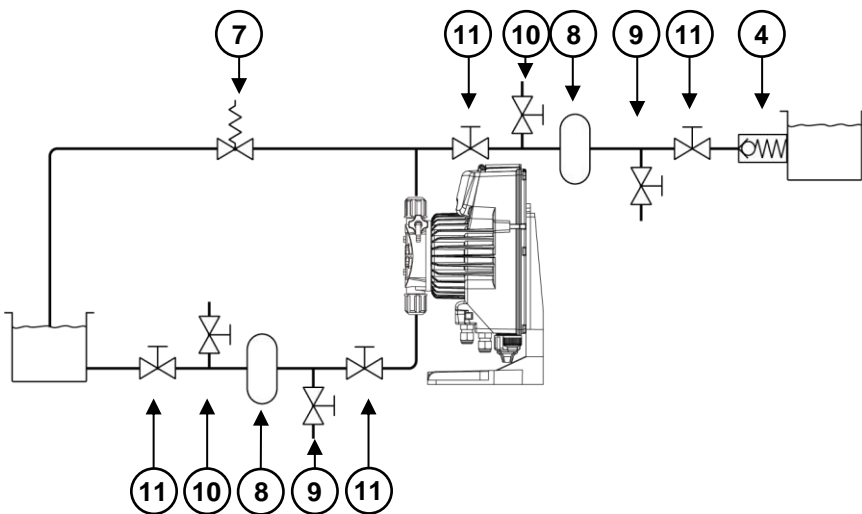
4.1.4.1 Instalación para evitar con seguridad el sifonaje de medios peligrosos



4.1.4.2 Instalación para evitar con seguridad el sifonaje de medios peligrosos



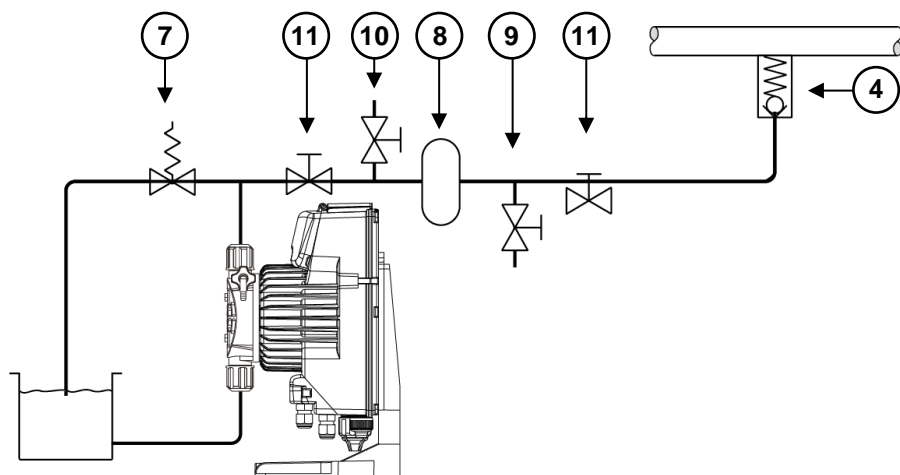
### 4.1.5 Con líneas de descarga y aspiración largas



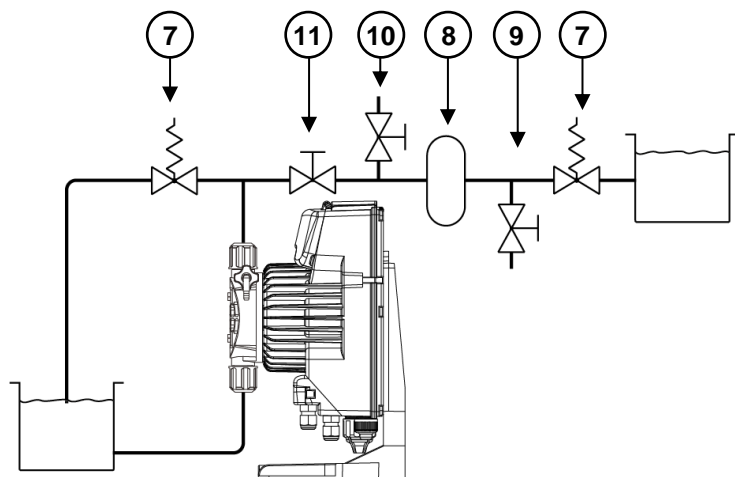


### 4.1.6 Para medición sin pulsaciones

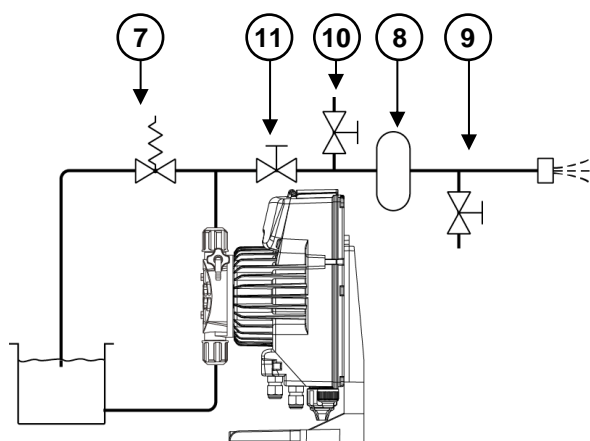
#### 4.1.6.1 En líneas de descarga



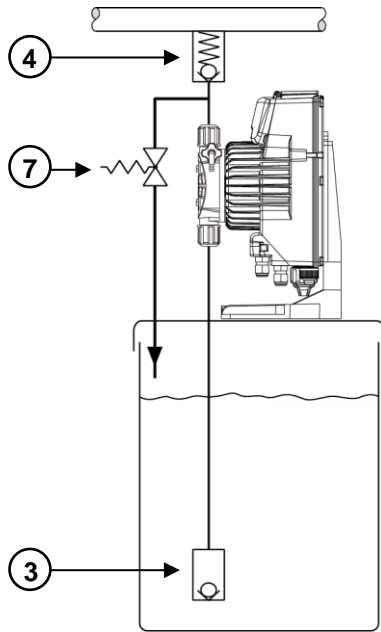
#### 4.1.6.2 En un sistema atmosférico



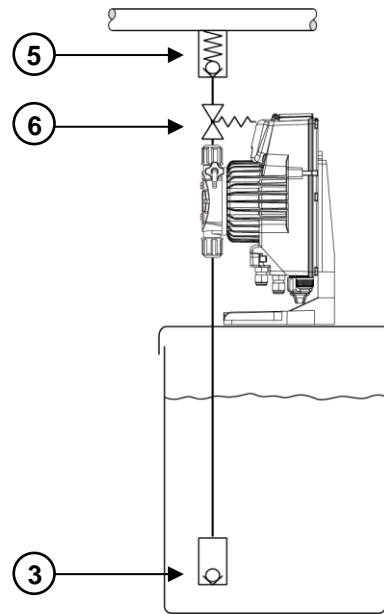
#### 4.1.6.3 Sin sobrealimentación



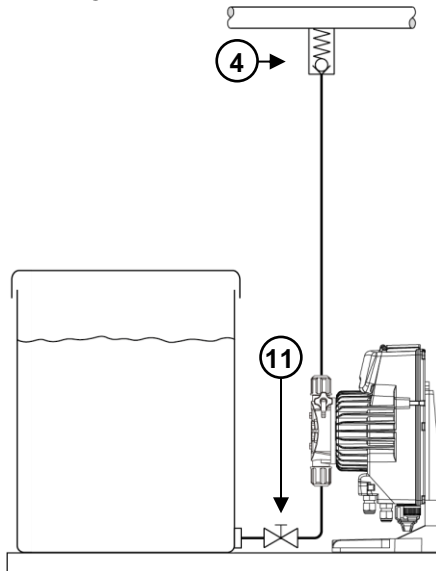
#### 4.1.7 Para proteger contra la sobrepresión



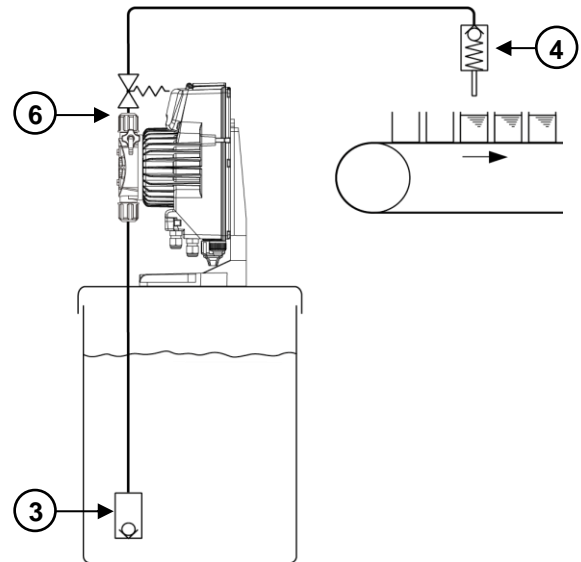
#### 4.1.8 Medición en sistema de vacío



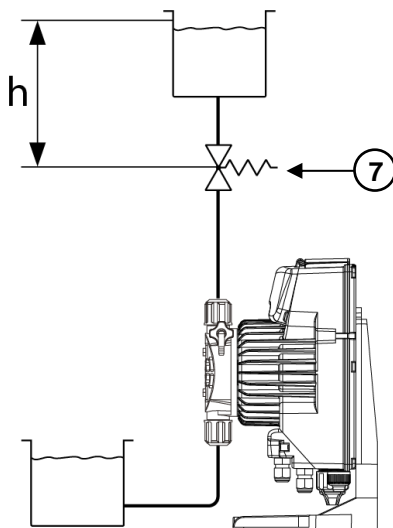
#### 4.1.9 Con medios con tendencia a emitir humos y vapores



#### 4.1.10 Medición individual tipo pulsos



#### 4.1.11 Colocación correcta de la válvula de contrapresión



Cálculo de la altura de la línea admisible ( $h_{\text{máx}}$ ) por encima de la válvula de contrapresión:

$$h_{\text{máx}} \leq \frac{P \times 14.3}{\text{Rho} \times g}$$

$h_{\text{máx}}$  = Altura de la línea máx. (m)

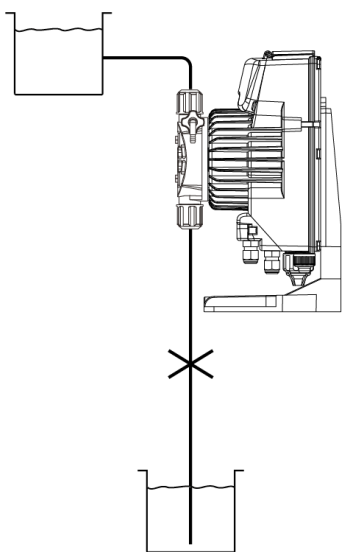
P = ajuste de la presión pre-esfuerzo (bares)

g = constante de gravitación (10 m/s<sup>2</sup>)

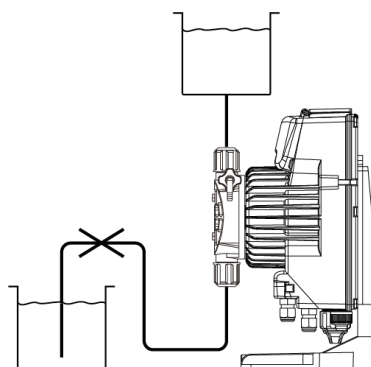
Rho = densidad del medio para alimentar (kg/dm<sup>3</sup>)

## 4.2 Instalaciones de la bomba incorrectas

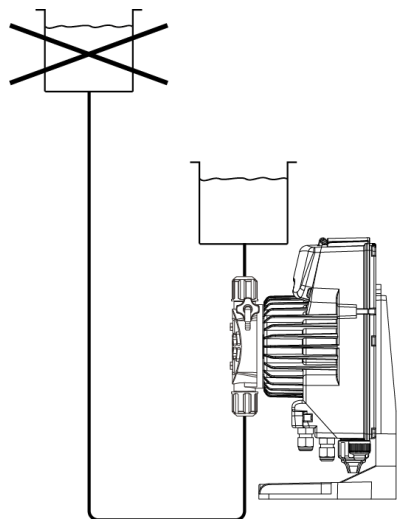
### 4.2.1 Línea de aspiración muy alta



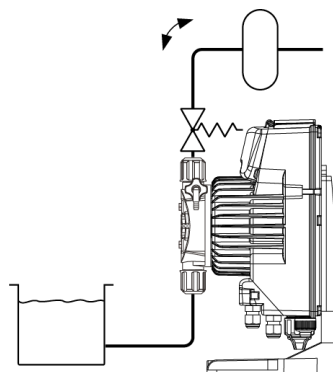
### 4.2.2 Flujo libre, los medios serán alimentador por gravedad por la bomba



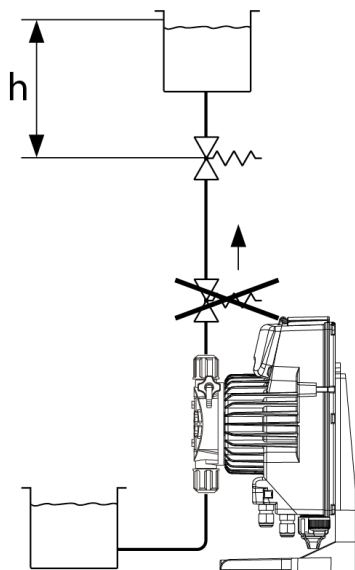
### 4.2.3 La línea de aspiración no puede purgarse



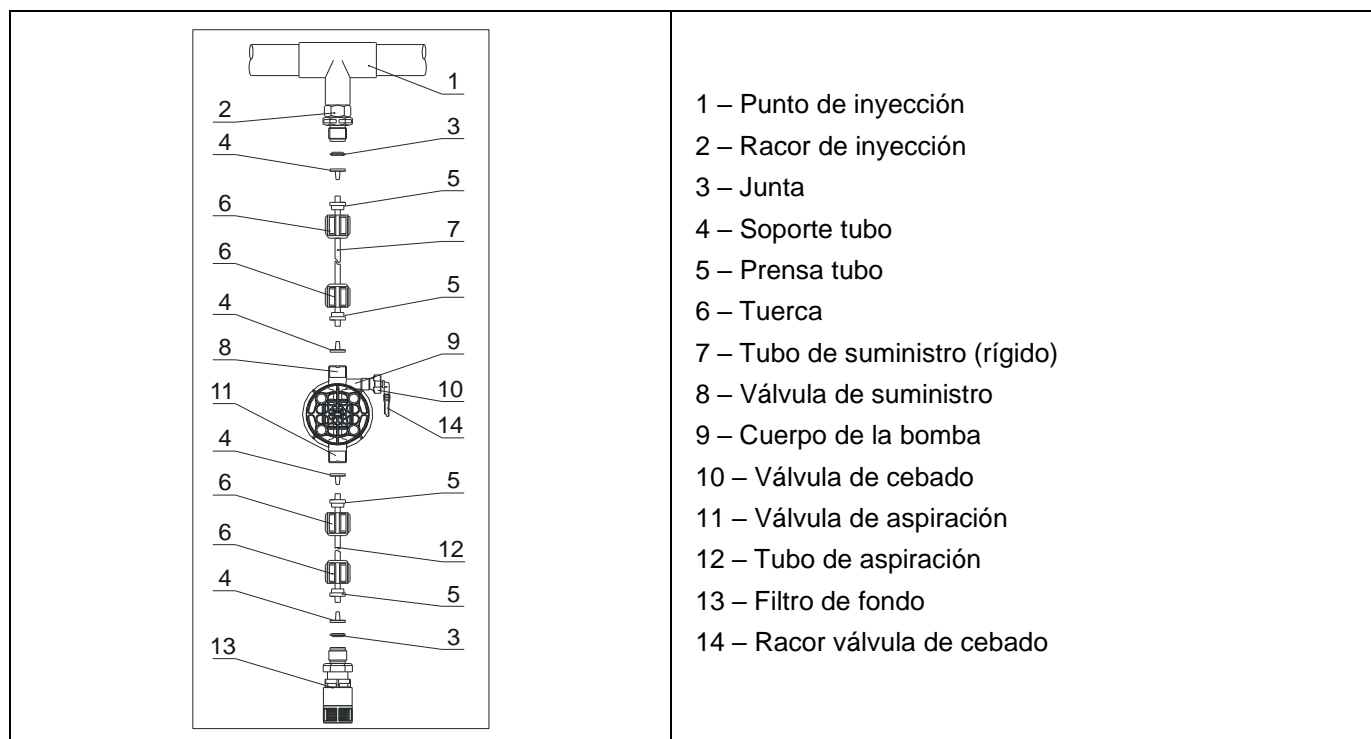
### 4.2.4 Acumulador no efectivo



### 4.2.5 Posición BPV incorrecta



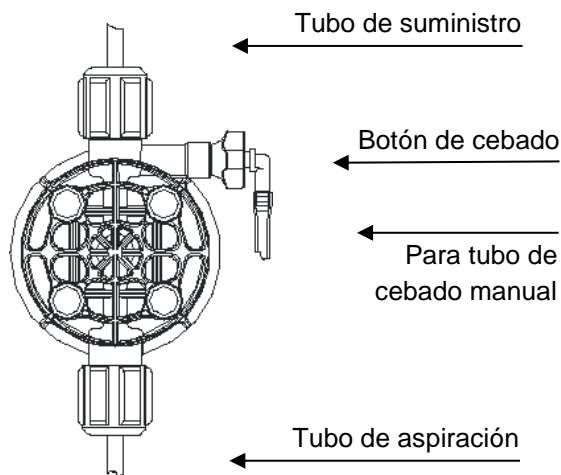
### 4.3 Conexiones hidráulicas



#### 4.3.1 Tubo de cebado

Introducir un lado del tubo de cebado en el conector de descarga. Introducir el otro lado del tubo de cebado en el depósito de producto.

Durante el procedimiento de cebado, el producto sobrante fluirá hasta el depósito.



Modelo de cabeza de bomba de cebado manual;  
 conexiones de la cabeza de la bomba PVDF

Se permite doblar ligeramente el tubo de cebado.



**Durante el procedimiento de calibración ("TEST"), introducir el tubo de cebado en el tubo de test BECKER.**



**Las válvulas de aspiración y suministro deben estar en posición vertical**

### 4.3.2 Bomba de aspiración



**El tubo de succión debe ser lo más corto posible e instalarse en posición vertical para evitar la aspiración de burbujas de aire.**

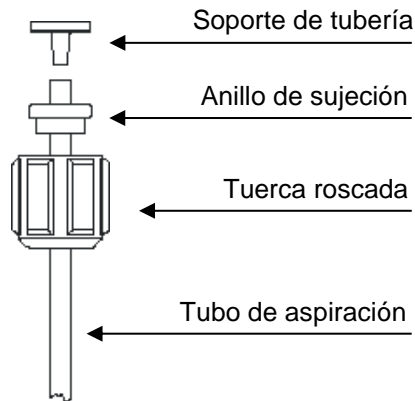
Desenroscar la tuerca de apriete de la cabeza de la bomba y quitar los componentes de montaje: la tuerca de apriete, el anillo de sujeción y el soporte del tubo.

Insertar el tubo en el soporte de tubería hasta que llegue al fondo. Bloqueo el tubo en la cabeza de la bomba atornillando la tuerca de apriete.



**Apretar bien a mano las tuercas.**

No utilizar tenazas ni ninguna otra herramienta.

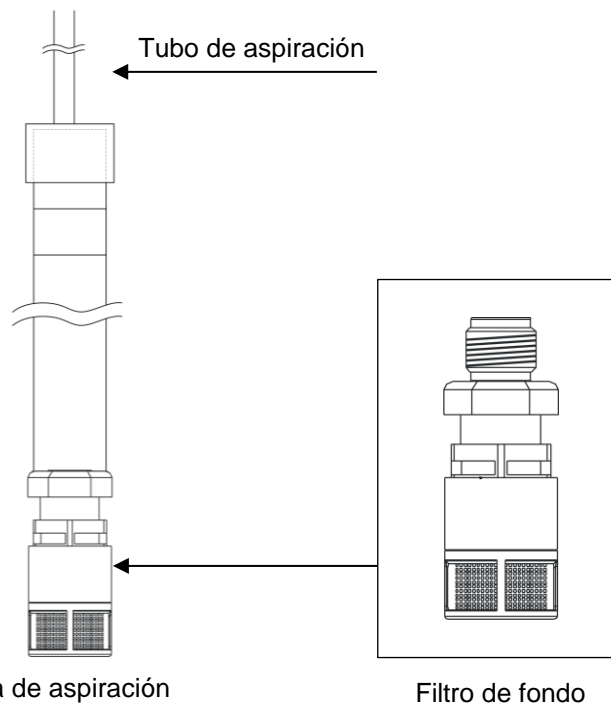


Montaje del tubo de succión

#### Instalación del filtro de fondo

La sonda de nivel se monta con el filtro de fondo que evita problemas de cebado de sedimentos.

Instalar la sonda de nivel en el fondo del depósito.



Lanza de aspiración

Filtro de fondo



**Advertencia: Si hay un mezclador instalado en el depósito, instalar una lanza de aspiración en lugar de la sonda de nivel /filtro de fondo.**

### 4.3.3 Suministro de la bomba



**El tubo de suministro debe fijarse bien para evitar movimientos repentinos que podrían estropear los objetos cercanos**

Desenroscar la tuerca de apriete de la cabeza de la bomba y quitar los componentes de montaje: la tuerca de apriete, el anillo de sujeción y el soporte del tubo.

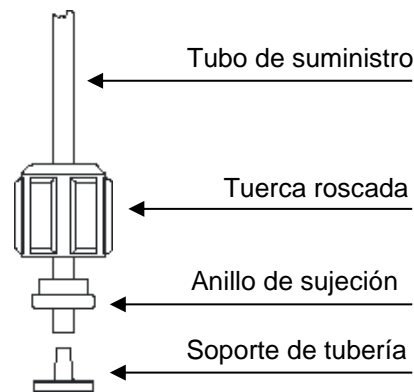
Insertar el tubo en el soporte de tubería hasta que llegue al fondo. Bloqueo el tubo en la cabeza de la bomba atornillando la tuerca de apriete.



**Apretar bien a mano las tuercas.**

Conectar el otro extremo del tubo a la válvula de inyección usando el mismo procedimiento.

Conectar el otro extremo del tubo a la válvula de inyección usando el mismo procedimiento.



Montaje del tubo de suministro

#### Conector de aspiración

El conector de aspiración debe instalarse en la planta desde la entrada de agua.

El conector de inyección se abrirá a una presión superior a los 0,3 bares.

### 4.4 Conexiones eléctricas

	<p>Entrada A = Alimentación</p> <p>Entrada B = Nivel</p>	<p>La bomba se debe conectar con una alimentación conforme a lo indicado en la etiqueta que se encuentra en uno de los lados de la bomba, la inobservancia de los límites establecidos puede provocar daños a la misma bomba.</p> <p>Las bombas están diseñadas para absorber pequeñas sobre tensiones. Por lo tanto, para evitar daños en la bomba es conveniente asegurarse que la bomba no tenga ninguna fuente de energía compartida con los aparatos eléctricos que generan altos voltajes.</p> <p><b>La conexión con la línea trifásica 380V se debe realizar exclusivamente entre fase y neutro, no se deben realizar conexiones entre fase y tierra.</b></p>
--	--	--

## 4.5 Notas

Transcurridas unas 800 horas de trabajo, apretar los tornillos del cuerpo bomba aplicando un par de apriete de 4 Nm.

Al realizar las conexiones de las tuberías, asegúrese de que siga las instrucciones a continuación:

- Instalar el **FILTRO DE FONDO** a unos 5-10cm del fondo para evitar que se obstruya por los depósitos.
- La instalación con bomba a la altura de aspiración se recomienda en bombas con caudal bajo, en particular, cuando se dosifican productos que crean gases (por ejemplo, hipoclorito de sodio, la hidracina, el peróxido de hidrógeno).
- La nuestra bomba está equipada con tubos de succión y descarga. Los tubos de longitud superior a los del Kit de instalación es importante que sean del mismo tamaño que los suministrados con la bomba.
- Si la bomba se expone a los rayos solares se recomienda utilizar tubo negro resistente a los rayos ultravioleta.
- El **PUNTO DE INYECCIÓN** debe colocarse más alto que la bomba o el tanque.
- La **VÁLVULA DE INYECCIÓN** que se suministra con la bomba, se debe instalar siempre en el extremo de la línea de impulsión del flujo de dosificación.

## 4.6 Precauciones de uso

La tensión de funcionamiento de la bomba electromagnética es  $100 \div 240V$ , 50/60Hz. Las bombas han sido diseñadas para absorber pequeños sobrevoltajes. Por lo tanto, con el fin de evitar daños en la bomba, es siempre preferible asegurarse de que la bomba no tiene una fuente de alimentación compartida con aparatos eléctricos que generan altos voltajes.

Con el fin de reducir el choque eléctrico, la toma de corriente de la bomba dosificadora debe estar bien conectada a tierra. Separar el cable de tierra del cable neutro y cubrir los pernos de la cabeza de la bomba con tapas.

Estrictamente prohibir la marcha en vacío a largo plazo (máximo 3 minutos).

Antes de la dosificación de productos químicos que pueden reaccionar con el agua (por ejemplo, ácido sulfúrico), secar completamente todas las partes internas del cuerpo de la bomba (hay un poco de agua en la cabeza de la bomba en el momento de la entrega).

La bomba dosificadora no se puede utilizar al superar la presión nominal. El valor de la presión nominal está marcado en la placa de características de la bomba dosificadora y la unidad es bar (1 bar = de 1 kilogramo fuerza/cm<sup>2</sup> = 10 metros de columna de agua). Si se supere la presión nominal, la bomba podría dañarse.

La temperatura ambiente para la instalación de la bomba no puede ser superior a 40°C y la humedad relativa no puede ser superior a 90%; la bomba no se puede instalar en el lugar con la exposición al sol o al mal tiempo.

Seleccionar el lugar conveniente para el mantenimiento antes de instalar la bomba y fijar la bomba para evitar las vibraciones innecesarias. La bomba debe instalarse en un plano horizontal.

Asegúrese de que la línea de succión y la línea de suministro están correctamente instaladas. La válvula de suministro no sustituye la válvula de succión y viceversa.

Mantenga las válvulas de succión / suministro limpias.

Cuando se limpian las válvulas de entrada y de suministro, deben ser desmontadas e instaladas cuidadosamente. La ausencia de cualquier parte de la válvula influirá el su uso normal.

Los tubos, la válvula de fondo y la válvula de inyección suministradas deben ser utilizadas en conjunto completo. Estas son las condiciones necesarias para una dosificación precisa.

Si las condiciones lo permiten, se debe configurar una válvula de seguridad, a fin de evitar daños a la bomba debidos a la obstrucción.

Por favor, apriete la tuerca de tubo de conexión con las manos y no use herramientas.

### Conexión de los tubos de entrada y salida

Utilice el soporte del tubo y la prensa tubo suministrado; apriete la tuerca de fijación para evitar la fuga de líquidos del tubo que pueda causar un mal funcionamiento de la bomba. Por favor, comprobar periódicamente las condiciones de la tubería. En caso de envejecimiento del conector de la manguera, reemplazar la manguera o cortar la parte desgastada y volver a apretarla.

## **Cebado manual**

La válvula de cebado está a la derecha de la bomba dosificadora. Durante la operación de cebado, abrir la válvula y cerrarla de nuevo después el agotamiento del gas. La salida de cebado también debe estar conectada con la manguera a fin de agotar la mezcla gas-líquido, para evitar el goteo en la cabeza de la bomba y la corrosión de los pernos.

La presión de la línea de suministro debe ser más alta que la de la línea de aspiración, de lo contrario, pueden ocurrir fenómenos de sifonado.

Después de 800 horas de funcionamiento, apretar de nuevo los tornillos de fijación del cuerpo de bomba.

## **4.7 Puesta en marcha**

Una vez que haya comprobado todos los pasos anteriores, la bomba ya está lista para arrancar.

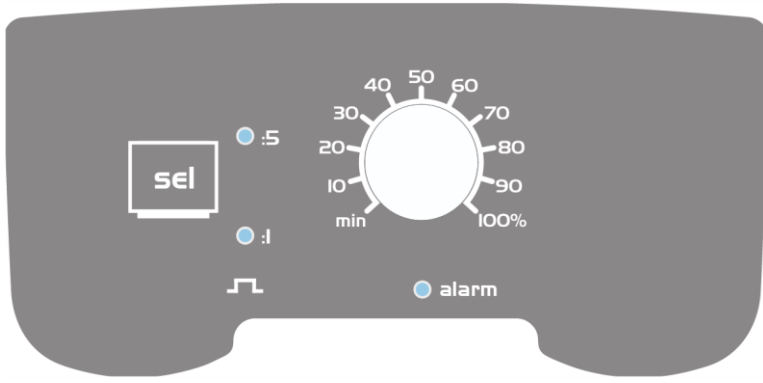


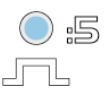


## **4.8 Cebado**

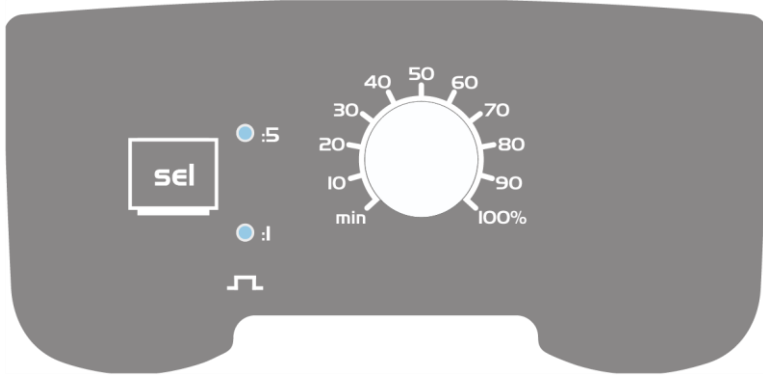
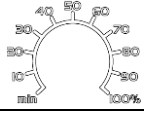

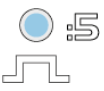

- Poner en marcha la bomba.
- Abrir el racor de activación girando el pomo en el sentido contrario al de las manecillas del reloj y esperar a que salga líquido del tubo conectado con el racor.

Una vez seguros de que la bomba está perfectamente llena de líquido se puede volver a cerrar el racor y la bomba empieza a dosificar.



## 5 Panel de control

<b>Tekna AKL</b>	
	
	Potenciómetro de regulación % del caudal
	Selector de máxima frecuencia
	Led piloto frecuencia máxima (:5) e impulso de dosificación
	Led piloto frecuencia máxima e impulso de dosificación
	Led piloto alarma sonda de nivel

<b>Tekna AKS</b>	
	
	Potenciómetro de regulación % del caudal
	Selector de máxima frecuencia
	Led piloto frecuencia máxima (:5) e impulso de dosificación
	Led piloto frecuencia máxima e impulso de dosificación

## 6 Alarmas (solo Tekna AKL)

Visualización	Causa	Interrupción
Led de la alarma fijo.	Alarma sonda de nivel (el líquido del tanque se ha acabado).	Reestablecer el nivel del líquido.

## 7 Resolución de problemas

Avería	Causa posible	Solución
La bomba funciona correctamente, pero la dosificación se interrumpe	Obstrucción de las válvulas	Limpie o reemplace las válvulas si no se puede remover el sucio.
	Exceso de altura de aspiración	Coloque la bomba o el tanque de forma que se reduzca la altura de aspiración.
	Líquido excesivamente viscoso	Reduzca la altura de aspiración o utilice una bomba con mayor caudal.
Caudal insuficiente	Fuga de las válvulas	Compruebe que las tuercas estén correctamente apretadas.
	Líquido excesivamente viscoso	Reduzca la altura de aspiración o utilice una bomba con mayor caudal.
	Obstrucción parcial de válvulas	Limpie o reemplace las válvulas si no se puede remover el sucio.
Caudal de la bomba irregular	Efecto sifón en el suministro	Compruebe la instalación de la válvula de inyección. Inserte una válvula anti retorno si es insuficiente.
	Tubo de PVC transparente en el suministro	Utilice una tubería de PE opaca en el suministro.
	Bomba no calibrada correctamente	Compruebe el caudal de la bomba en relación a la presión del sistema.
Rotura de la membrana	Contrapresión excesiva	Controlar la presión del sistema. Comprobar que la válvula de inyección no esté obstruida. Comprobar que no exista obstrucción entre las válvulas de impulsión y el punto de inyección.
	Funcionamiento sin líquido	Comprobar la presencia del filtro (válvula) de fondo. Use una sonda de nivel que bloquee la bomba cuando termine el químico en el tanque.
	La membrana no está fijada correctamente	Reemplazar la membrana y comprobar el correcto apretamiento de la misma.
La bomba no se enciende	Corriente eléctrica insuficiente	Comprobar que los valores que figuran en la placa de la bomba correspondan con los de la red eléctrica.

## 8 Mantenimiento

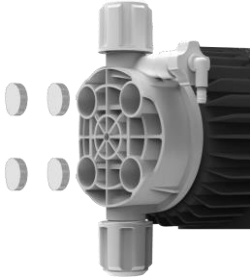


### 8.1 Precauciones

- Antes de proceder al mantenimiento de la bomba, comprobar que todas las conexiones eléctricas hayan sido desconectadas.
- Despresurizar completamente la bomba y drenar las tuberías en la sección donde se requiera el mantenimiento
- Trabajar siempre usando equipos de protección seguros.
- No verter al medioambiente sustancias contaminantes, como productos químicos bombeados, líquido hidráulico, aceite lubricante, etc.
- Leer detenidamente las especificaciones técnicas de los fluidos dosificados y tratados, para estar al corriente de los riesgos y las acciones que deben realizarse en caso de contacto accidental con un fluido peligroso.

### 8.2 Cabeza de la bomba

**No dejar que la bomba funcione sin el líquido de proceso. Como mínimo cada seis meses, desmontar la cabeza de la bomba y realizar las operaciones descritas a continuación:**

- Desconectar los conductos de aspiración y descarga
- Drenar el líquido de proceso de la cabeza de la bomba y de los conductos
- Desmontar la cabeza de la bomba siguiendo estos pasos:

<p>a) Quitar los 4 tapones para acceder a los pernos</p> <p>b) Desenroscar los pernos que fijan la cabeza de la bomba en el mecanismo</p>	
<p>c) Extraer la cabeza de la bomba y lavar completamente las válvulas de aspiración y descarga</p> <p>d) Comprobar si la junta está desgastada; de ser así, sustituirla</p>	
<p>e) Inspeccionar el diafragma para detectar señales de desgaste o roturas</p>	

- Montar de nuevo la cabeza de la bomba y fijar los pernos
- Colocar los tapones en los orificios de los pernos

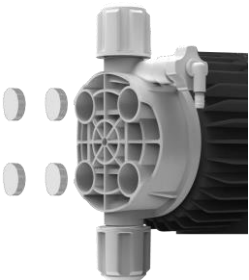

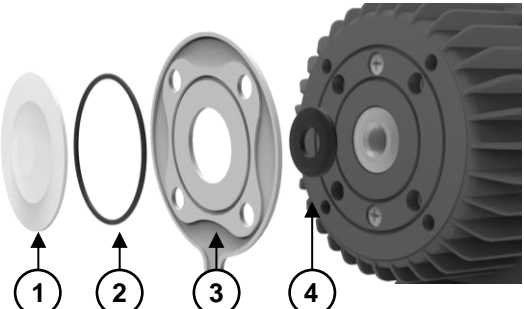




**Apretar los pernos en el cuerpo de la bomba, aplicando un par de apriete de 4 Nm.**

### 8.3 Sustitución del diafragma

Si hay pérdidas en el área de la cabeza de la bomba head, después de que se haya realizado el procedimiento de mantenimiento de la cabeza de la bomba, por favor, proceda a sustituir el diafragma:

- Desconectar las tuberías de aspiración y descarga y drenar el líquido de proceso presente en la bomba y las tuberías
- Desmontar la cabeza de la bomba y el diafragma siguiendo estos pasos:

<p>a) Quitar los 4 tapones para acceder a los pernos</p> <p>b) Desenroscar los pernos que fijan la cabeza de la bomba en el mecanismo</p> <p>c) Extraer la cabeza de la bomba</p>	
<p>d) Quitar el diafragma (disco PVDF blanco) desenroscándolo de su asiento</p>	
<p>e) Inspeccionar todas las partes para detectar señales de desgaste o roturas: diafragma (1), junta del diafragma (2), disco anti-filtración grande (3) y disco anti-filtración pequeño (4)</p> <p>f) Sustituir cualquier parte defectuosa</p>	
<p>g) El disco anti-filtración grande debe instalarse con la parte ranurada pequeña colocada en el fondo de la caja de la bomba y de espaldas a la solenoide, con los 4 orificios coincidiendo con los alojamientos de los tornillos de la caja de la bomba.</p> <p>h) El disco anti-filtración pequeño debe colocarse en el centro del disco más grande, en la parte superior del pistón del solenoide.</p>	
<p>i) Atornillar el diafragma en el pistón de la válvula solenoide</p> <p>j) Insertar los 4 sellos suministrados en los orificios, prestando atención a la dirección: el extremo más corto debe estar colocado en el fondo del orificio</p>	

- Volver a montar la cabeza de la bomba, fijar los pernos y colocar los tapones en los orificios de los pernos

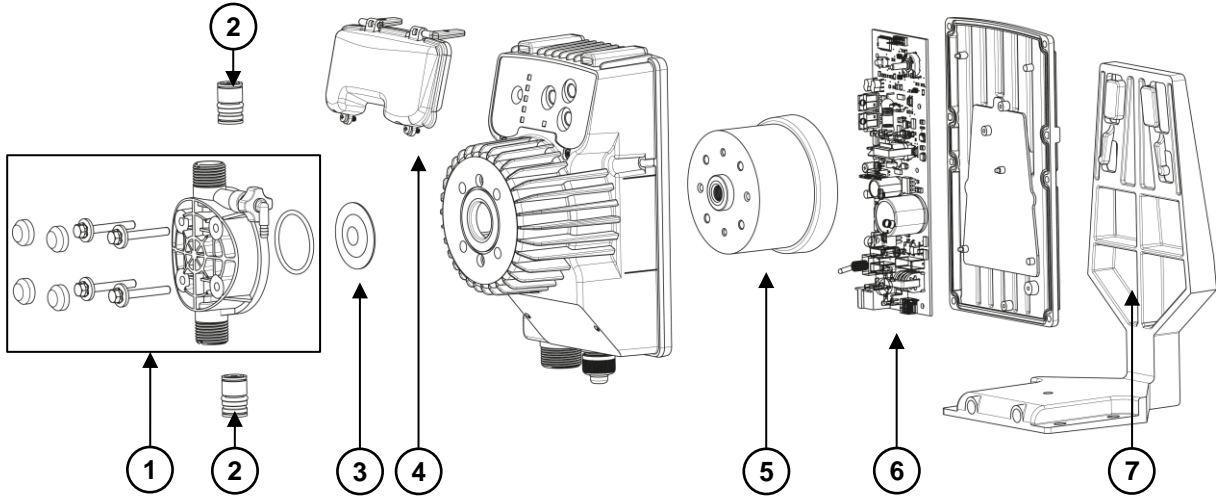


**Apretar los pernos en el cuerpo de la bomba, aplicando un par de apriete de 4 Nm.**

## 8.4 Vista en despiece de los repuestos

Para llevar a cabo un mantenimiento ordinario y evitar la posible pérdida de tiempo, se recomienda mantener en almacén un pequeño suministro de las siguientes piezas de repuesto:

- Válvula de aspiración completa
- Válvula de descarga completa
- Cabeza de la bomba completa
- Diafragma, discos anti-infiltración y sellos



1	Cabeza de la bomba
2	Válvulas
3	Diafragma
4	Cubierta del área de control

5	Solenoides
6	Placa base
7	Soporte para base

### NOTA



Cuando solicite repuestos, se ruega indicar siempre el modelo y el número de serie de la bomba.

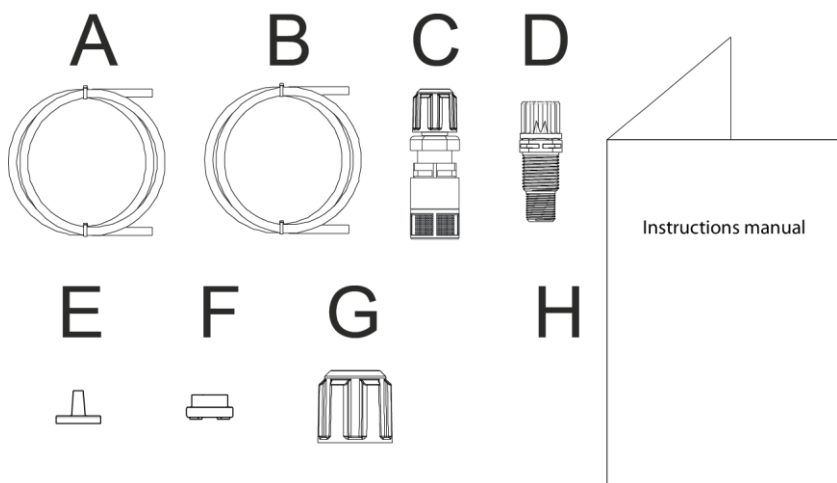
## 8.5 Consideraciones sobre la eliminación de residuos

Desechar los materiales electrónicos o tóxicos de acuerdo con las regulaciones aplicables que varían entre países.

En la mayoría de países, la autoeliminación de los materiales electrónicos o tóxicos está prohibida y los usuarios finales están obligados a desecharlos debidamente, a través de entes sin ánimo de lucro, reglamentados por los gobiernos locales u organizados e forma voluntaria por profesionales.

Enviarlas a los espacios de reciclaje autorizados, a través de un transportista de residuos autorizado.

## 1 Contenu de l'emballage



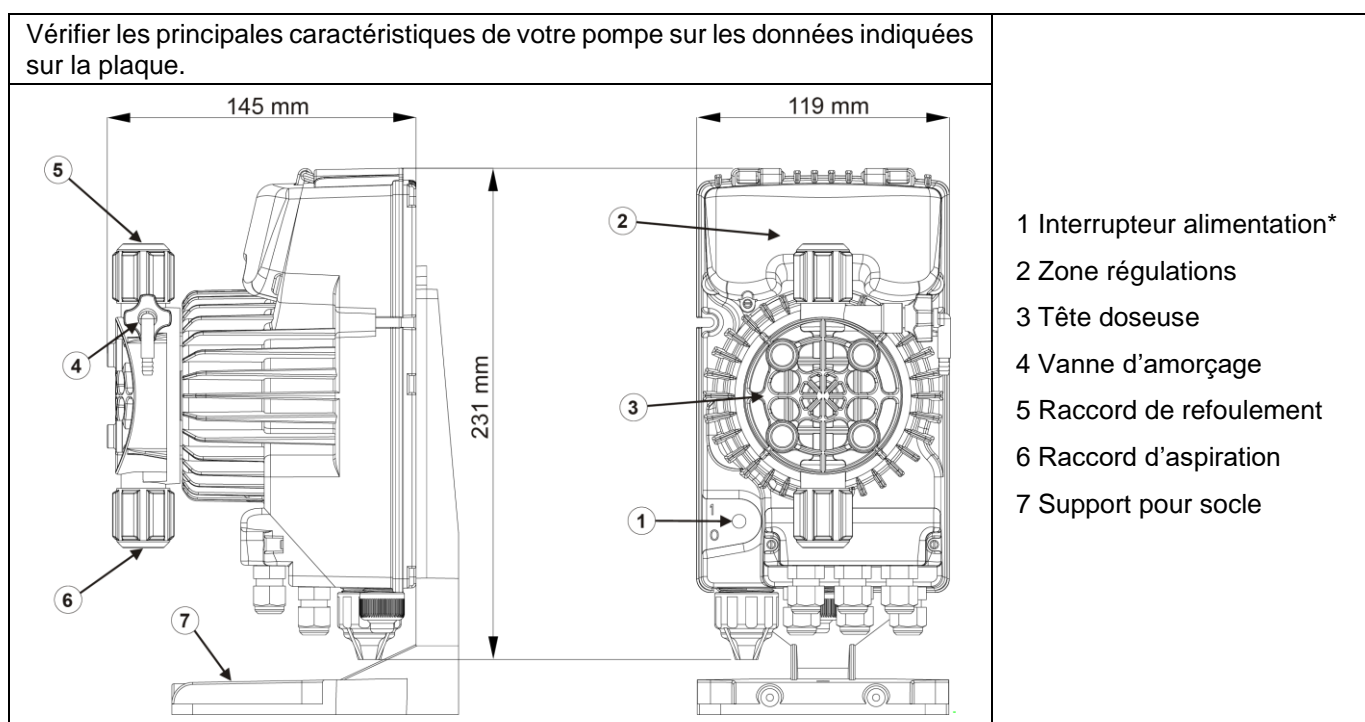
- A. Tuyau opaque pour le raccordement de la sortie de la pompe au point d'injection
- B. Tuyau transparent pour le raccordement de l'aspiration et la vanne d'amorçage manuelle
- C. Filtre de fond
- D. Vanne d'injection
- E. Support de tuyau
- F. Presse-étoupe
- G. Bague
- H. Manuel d'instructions

## 2 Introduction



**VERIFIER SUR LES DONNEES DE LA PLAQUE LES CARACTERISTIQUES HYDRAULIQUES DE LA POMPE**

La pompe doseuse est constituée d'une partie de commande dans laquelle sont logés l'électronique et l'aimant et une partie hydraulique toujours en contact avec le liquide à doser.



\* Dans certains modèles, le commutateur n'est pas présent. Pour ce type de pompes, maintenant **sel** pour au moins 5 secondes, la pompe cessera de fonctionner et toutes les LED clignoteront pour indiquer son état ; dans cet état, la pompe ne dose pas. Appuyant de nouveau sur **sel**, la pompe retourne à son état de fonctionnement.

Les parties en contact avec le liquide ont été choisies pour garantir une compatibilité parfaite avec la plupart des produits chimiques normalement utilisés. Compte tenu de la variété de produits chimiques existant sur le marché, il est conseillé de vérifier la compatibilité chimique entre le produit dosé et les matériaux en contact.

## PRÉCAUTIONS !

Lisez les précautions suivantes avant de procéder à l'installation ou à l'entretien de la pompe.

**Attention !** Nous recommandons l'installation de la pompe en position verticale afin d'assurer le bon fonctionnement de cette dernière.

**Attention !** Produit destiné à l'utilisation exclusivement professionnelle, de la part de personnel qualifié.

**Attention !** Avant toute intervention sur la pompe, tout d'abord débranchez le câble d'alimentation.

**Attention !** Suivre les procédures de sécurité relatives au produit dose.

### 3 Caractéristiques techniques

Matériaux qui composent la pompe (standard) :

- Tête de pompe : PVDF
- Vanne : PVDF
- Sphère : Céramique
- Membrane : PTFE
- O-Ring : FKM-B/EPDM

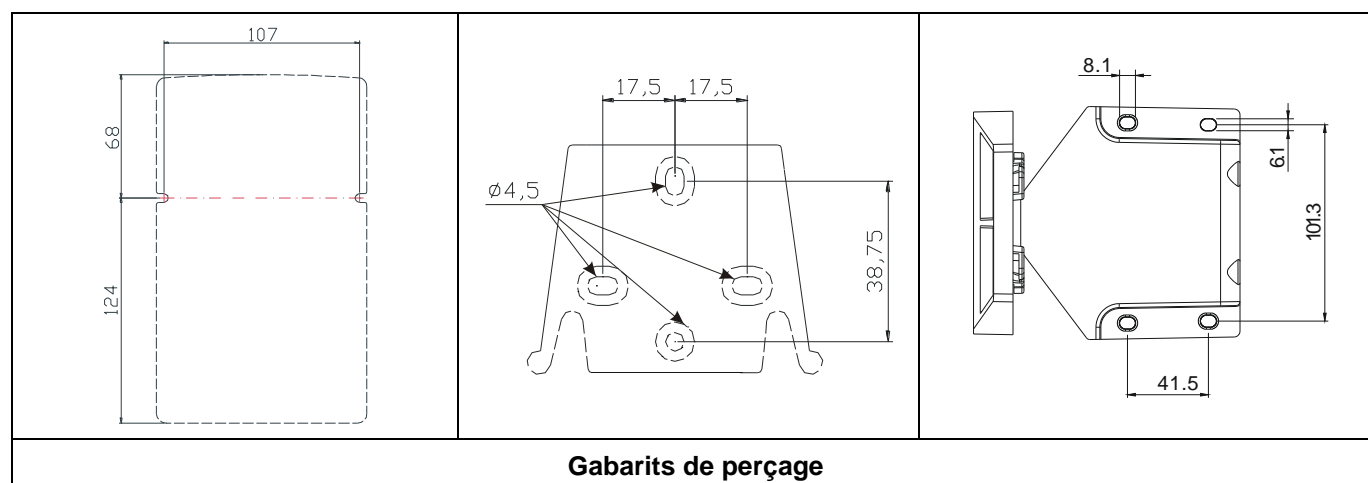
**Remarque :** pour les caractéristiques techniques de la pompe, voir l'étiquette.

Lisez les notes suivantes avant d'installer ou d'effectuer l'entretien de la pompe :

1. De divers paramètres techniques de toutes les pompes sont obtenus avec l'eau en tant que moyen. Avant le dosage de produits chimiques qui peuvent réagir avec l'eau, tels que l'acide sulfurique, séchez à fond toutes les parties intérieures du corps de la pompe.
2. Installez la pompe dans une zone où la température ambiante ne dépasse pas 40 °C et l'humidité relative est inférieure à 90%. La pompe a un niveau de protection IP65.
3. Installez la pompe de manière à ce que les opérations d'entretien soient faciles à réaliser, puis fixez la pompe fermement afin d'éviter les vibrations excessives
4. Vérifiez que la tension d'alimentation soit compatible avec la tension nominale indiquée sur l'étiquette de la pompe
5. Vérifiez tout d'abord que la pression au lieu de montage ne dépasse pas la pression maximale de fonctionnement nominale de la pompe doseuse pendant le dosage.

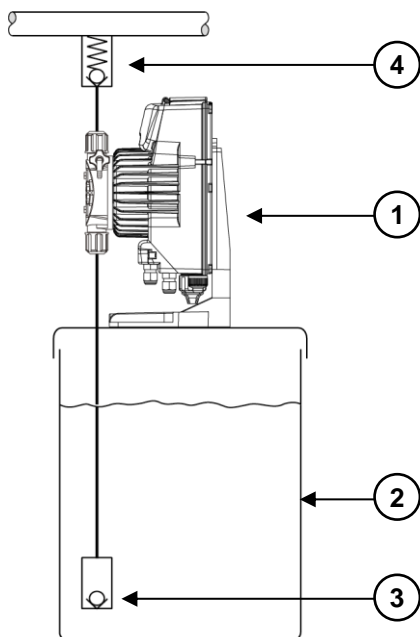
### 4 Installation

La pompe doit être installée sur une surface horizontale plane et stable.



## 4.1 Suggestions d'installation de la pompe

### 4.1.1 Installation standard

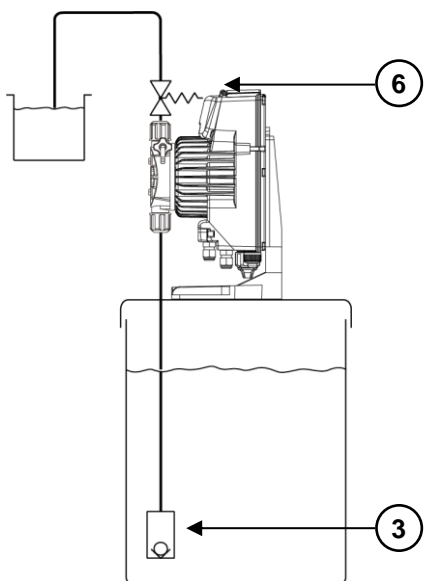


#### Description

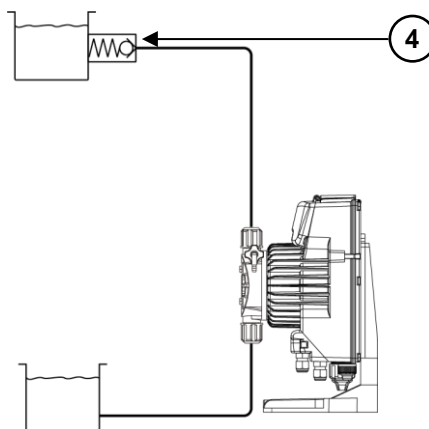
1	Pompe doseuse
2	Réservoir
3	Filtre au pied avec vanne anti-retour à bille
4	Clapet d'injection
5	Clapet d'injection avec ressort renforcé
6	Vanne multifonction
7	Vanne de retenue (installation de la conduite d'évacuation)
8	Amortisseurs de pulsation
9	Vanne de vidange
10	Vanne de purge
11	Vanne d'isolation

### 4.1.2 Évacuation dans l'atmosphère

#### 4.1.2.1 Évacuation dans l'atmosphère et tête basse



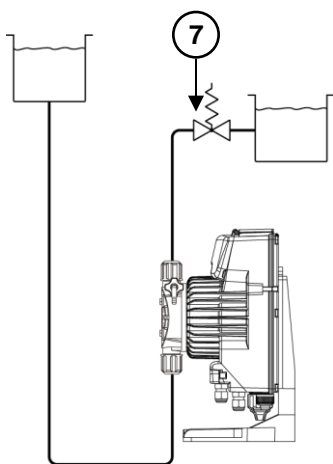
#### 4.1.2.2 Évacuation dans l'atmosphère et tête large



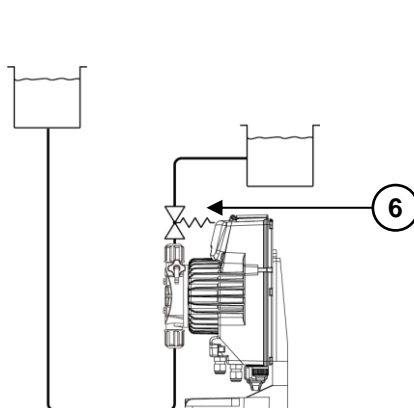


### 4.1.3 Avec contre-pression

4.1.3.1 Contre-pression du côté de l'aspiration et large tête d'évacuation

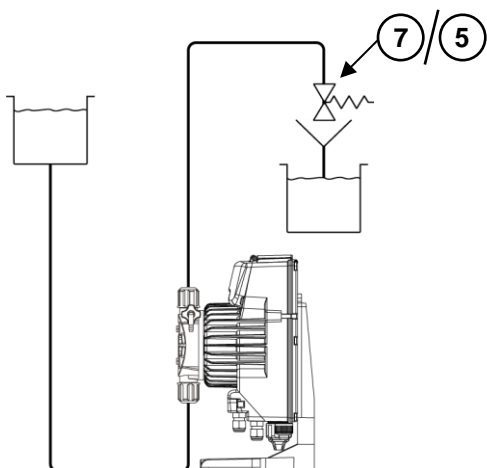


4.1.3.2 Contre-pression du côté de l'aspiration et tête d'évacuation basse

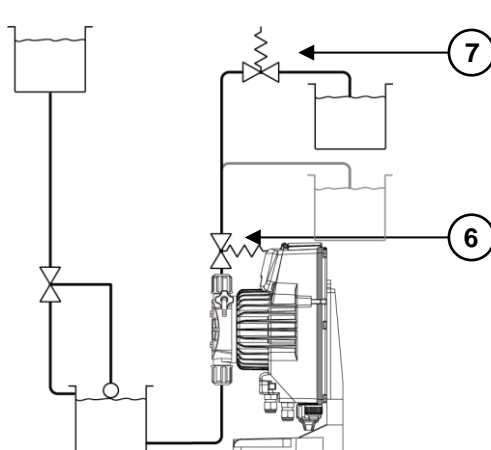


### 4.1.4 Avec prévention du siphonnage en sécurité

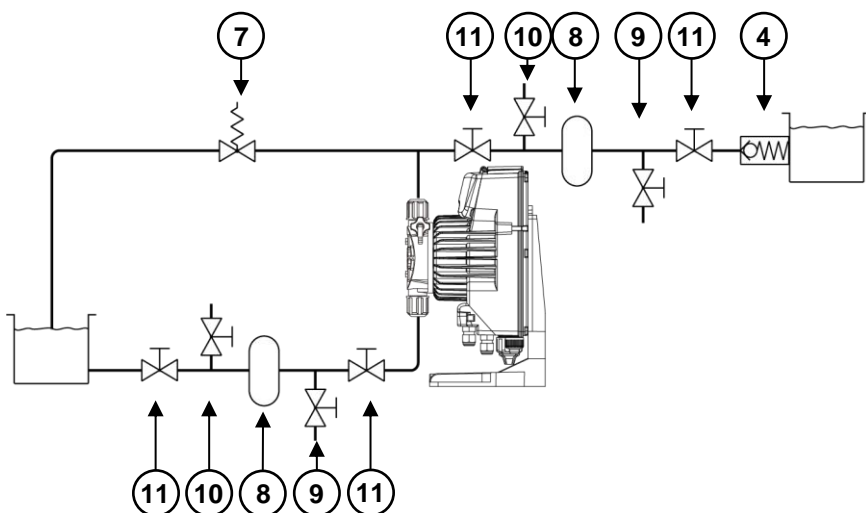
4.1.4.1 Installation pour siphonnage sécuritaire de prévention des fluides dangereux



4.1.4.2 Installation pour siphonnage sécuritaire de prévention des fluides dangereux

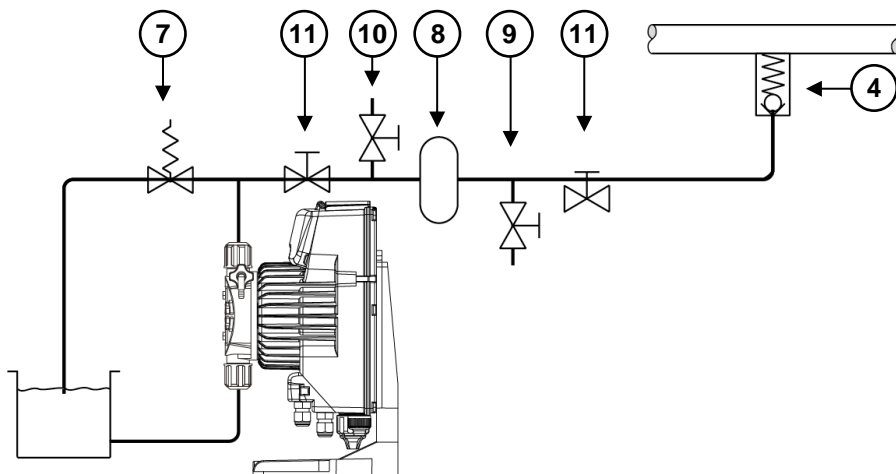


### 4.1.5 Avec conduites d'aspiration ou d'évacuation longues

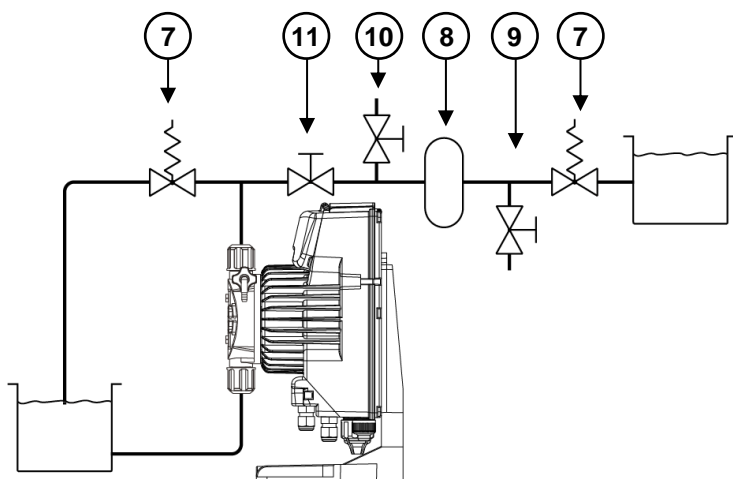


## 4.1.6 Pour un dosage sans pulsation

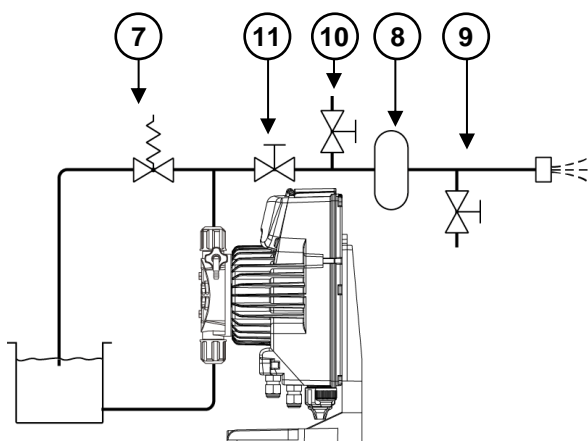
### 4.1.6.1 Dans les conduites d'évacuation



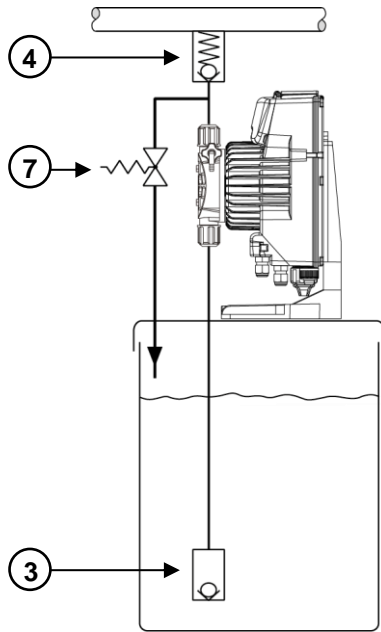
### 4.1.6.2 Dans un système atmosphérique



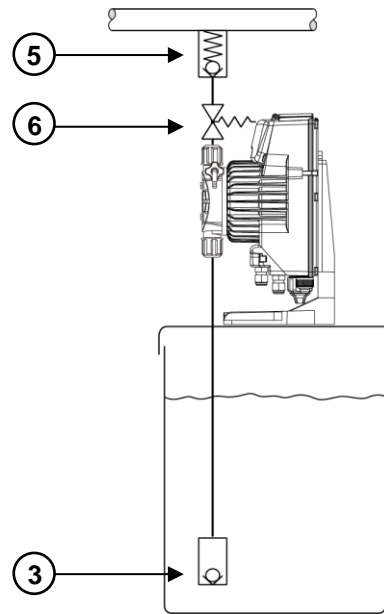
### 4.1.6.3 Sans suralimentation



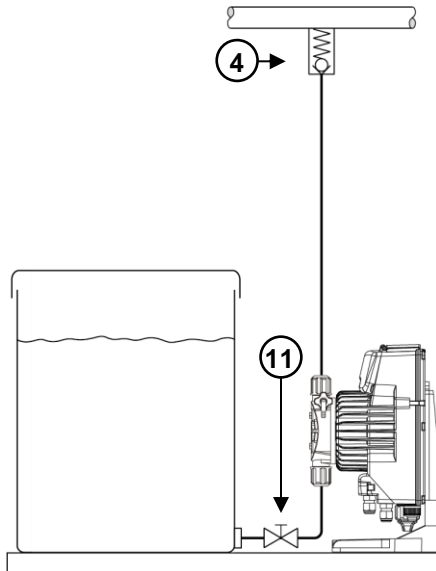
#### 4.1.7 Pour la protection contre la surpression



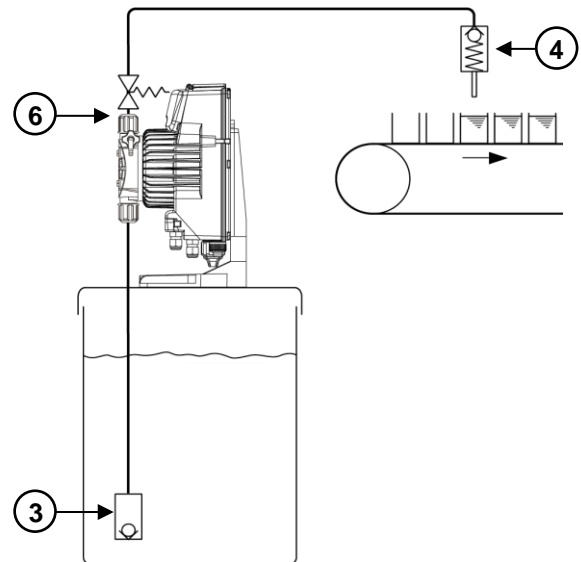
#### 4.1.8 Mesure dans le vide



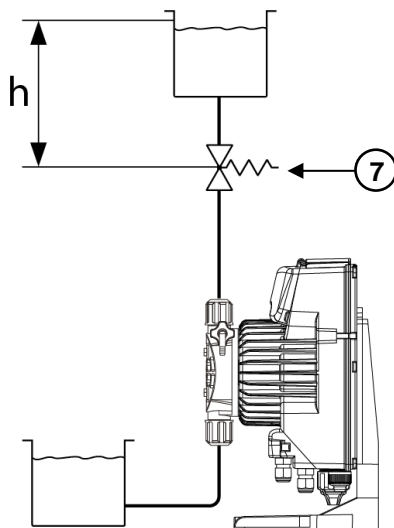
#### 4.1.9 Avec un fluide ayant tendance à produire de la fumée et des vapeurs



#### 4.1.10 Mesure individuelle du type à impulsion



#### 4.1.11 Positionnement correct de la vanne de retenue



Calcul de la hauteur de ligne admissible max.  $h_{max}$  au-dessus de la vanne de retenue :

$$h_{max} \leq \frac{P \times 14,3}{\text{Rho} \times g}$$

$h_{max}$  = Hauteur max. de la ligne (m)

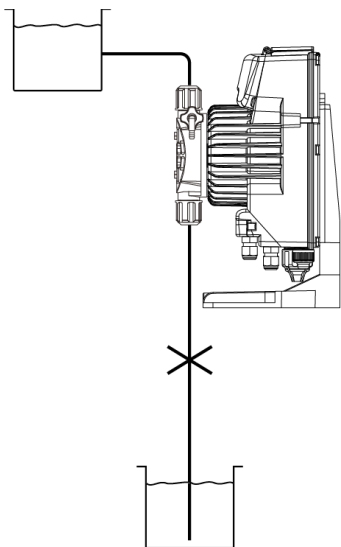
P = Réglage de pression de précontrainte (bar)

g = Constante de gravitation (10 m/s<sup>2</sup>)

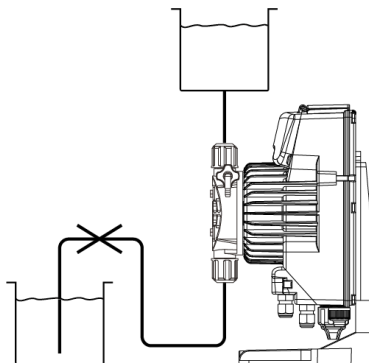
Rho = Densité du fluide à alimenter (kg/dm<sup>3</sup>)

## 4.2 Installations incorrectes de la pompe

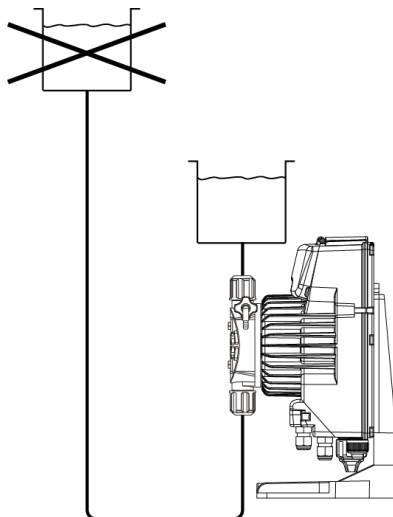
### 4.2.1 Conduite d'aspiration trop haute



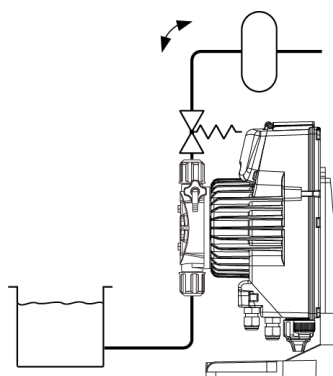
### 4.2.2 Débit libre, le fluide sera alimenté par gravité à travers la pompe



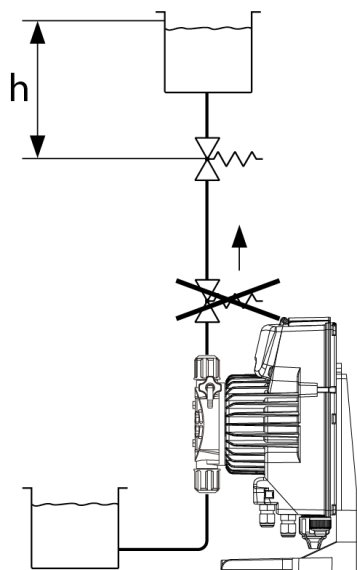
### 4.2.3 La conduite d'aspiration ne peut pas être purgée



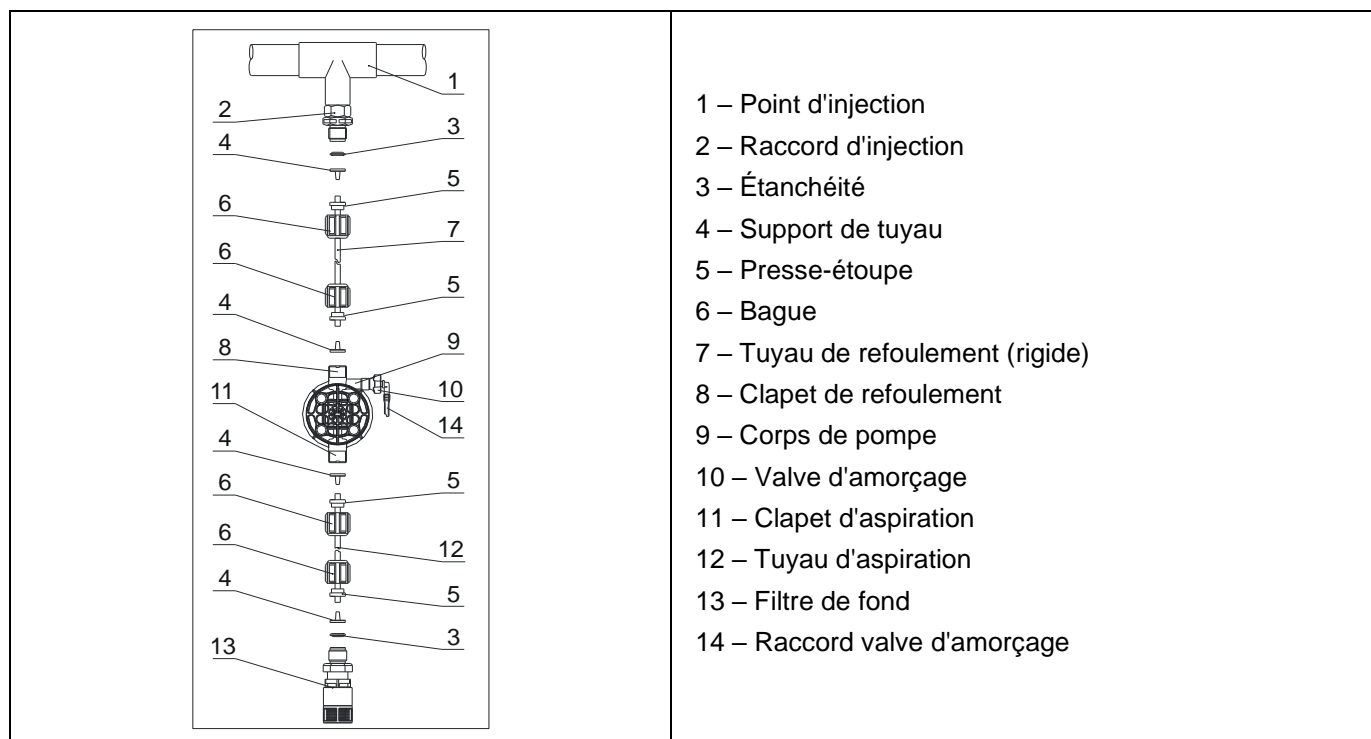
### 4.2.4 Accumulateur inefficace



### 4.2.5 Mauvaise position de la vanne de retenue



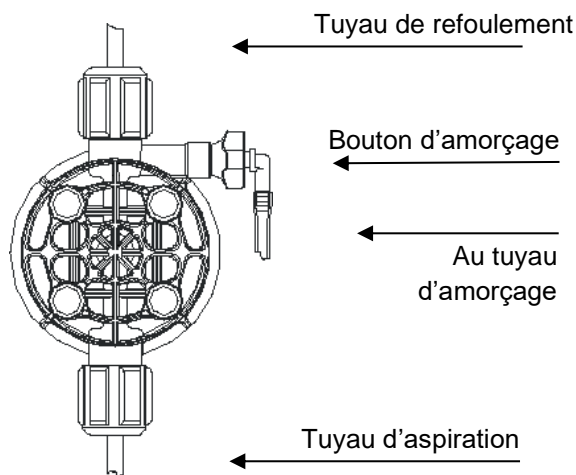
### 4.3 Branchements hydrauliques



#### 4.3.1 Tuyau d'amorçage

Insérer un côté du tuyau d'amorçage dans le connecteur d'évacuation. Insérer l'autre côté du tuyau d'amorçage dans le réservoir du produit.

Pendant la procédure d'amorçage, le surplus de produit s'écoulera dans le réservoir.



Modèle de tête de pompe avec amorçage manuel,  
 raccords de la tête de pompe PVDF

Il est permis de plier légèrement le tuyau d'amorçage.



**Pendant la procédure d'étalonnage (« TEST »), insérer le tuyau d'amorçage dans le tuyau d'essai BECKER.**



**Les vannes d'aspiration et de refoulement doivent être en position verticale.**

### 4.3.2 Aspiration de la pompe



La tuyauterie d'aspiration doit être aussi courte que possible et installée en position verticale pour éviter l'aspiration de bulles d'air.

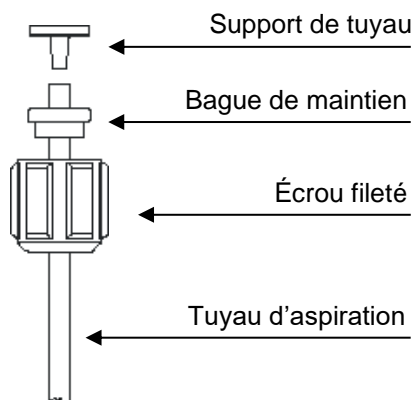
Dévisser complètement l'écrou de serrage de la tête de pompe et retirer les éléments d'assemblage : écrou de serrage, bague de maintien et support de tuyau.

Insérer le tuyau dans le support de tuyau jusqu'à ce qu'il atteigne le fond. Bloquer le tuyau sur la tête de la pompe en vissant l'écrou de serrage.



**Serrer fermement les écrous à la main.**

Ne pas utiliser de pinces ou tout autre outil.

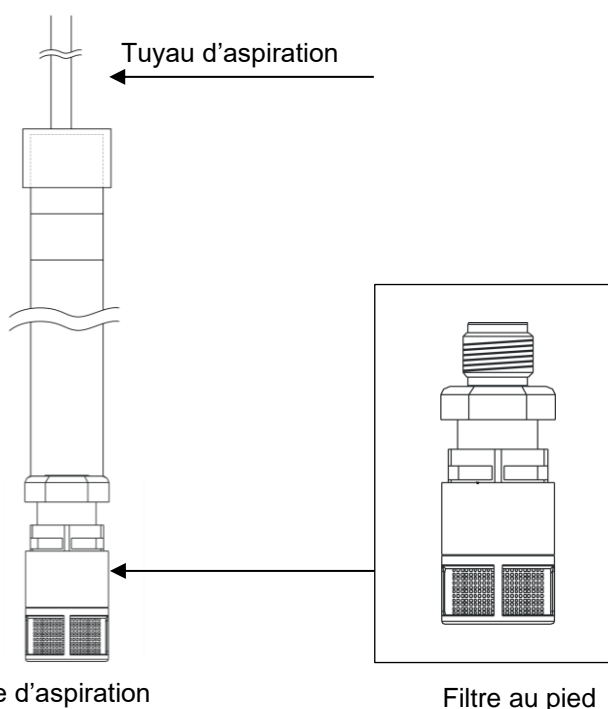


Montage du tuyau d'aspiration

#### Installation du filtre au pied

La sonde de niveau est assemblée avec un filtre au pied qui évite les problèmes d'amorçage des sédiments.

Installer la sonde de niveau au fond du réservoir.



Lance d'aspiration

Filtre au pied



**Mise en garde : Si un mélangeur est installé dans le réservoir, installer une lance d'aspiration au lieu d'une sonde de niveau/filtre au pied.**

### 4.3.3 Refoulement de la pompe



**Le tuyau de refoulement doit être solidement fixé pour éviter les mouvements brusques qui pourraient endommager les objets à proximité**

Dévisser complètement l'écrou de serrage de la tête de pompe et retirer les éléments d'assemblage : écrou de serrage, bague de maintien et support de tuyau.

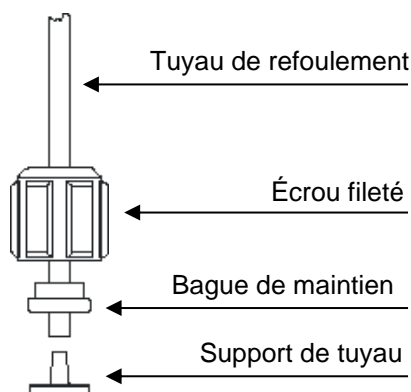
Insérer le tuyau dans le support de tuyau jusqu'à ce qu'il atteigne le fond. Bloquer le tuyau sur la tête de la pompe en vissant l'écrou de serrage.



**Serrer fermement les écrous à la main.**

Connecter l'autre extrémité du tuyau à la vanne d'injection en utilisant la même procédure.

Connecter l'autre extrémité du tuyau à la vanne d'injection en utilisant la même procédure.



Montage du tuyau de refoulement

#### Raccord d'injection

Le raccord d'injection doit être installé sur l'installation à partir de l'entrée d'eau.

Le raccord d'injection s'ouvrira avec une pression supérieure à 0,3 bar.

### 4.4 Connexions électriques

	<p>Entrée A = Alimentation</p> <p>Entrée B = Niveau</p>	<p>La pompe doit être connectée à une alimentation conforme aux valeurs figurant sur l'étiquette placée sur le côté de la pompe, le non-respect des limites imposées peut endommager la pompe.</p> <p>Les pompes ont été conçues pour absorber de petites surtensions. Afin d'éviter que la pompe ne subisse de dommages, il est conseillé de toujours s'assurer que la pompe ne partage pas de source d'énergie avec les appareils électriques qui génèrent des tensions élevées.</p> <p><b>La connexion avec la ligne triphasée 380V doit être faite exclusivement entre la phase et le neutre ; aucune connexion ne doit être réalisée entre la phase et la terre.</b></p>
--	---	---

## 4.5 Remarques

Après environ 800 heures de fonctionnement, serrer les boulons du boîtier de pompe en appliquant un couple de serrage de 4 Nm.

Suivre les instructions suivantes lors des branchements hydrauliques :

- Installer le **FILTRE DE FOND** à environ 5-10 cm du fond de façon à éviter des dépôts éventuels qui peuvent obstruer l'élément filtrant.
- L'installation avec pompe sous charge d'eau est recommandée pour des pompes ayant un débit très faible. En particulier en cas de dosage de produits qui développent du gaz (par ex: hypochlorite de soude, hydrazine, peroxyde d'hydrogène).
- Notre pompe est équipée de tuyaux d'aspiration et de refoulement. Si vous avez besoin d'utiliser des tuyaux plus longs que ceux fournis dans la trousse d'installation, il est important que vous utilisiez des tuyaux de mêmes dimensions que celles fournies avec la pompe.
- Si la pompe est exposée aux rayons du soleil, il est conseillé d'utiliser des tuyaux noirs particulièrement résistants.
- On conseille de placer le **POINT D'INJECTION** plus haut que la pompe ou que le réservoir.
- La **VANNE D'INJECTION** fourni avec la pompe doit toujours être installé au bout de la ligne de refoulement du flux de dosage.

## 4.6 Précautions d'emploi

La tension de fonctionnement de la pompe électromagnétique est de 100 ÷ 240V, 50/60Hz. Les pompes ont été conçues pour absorber les petites surtensions. Par conséquent, afin d'éviter que la pompe ne soit pas endommagée, il est toujours préférable de faire en sorte que la pompe ne dispose pas d'une source d'alimentation commune avec des appareils électriques qui génèrent des tensions élevées.

Afin de réduire les chocs électriques, la prise d'alimentation de la pompe doseuse doit être bien reliée à la terre. Séparez le fil de terre au fil neutre et couvrez les boulons de la tête de pompe avec des capuchons.

Il est strictement interdit de faire fonctionner la pompe sans liquide pendant une longue période (maximum 3 minutes).

Avant le dosage de produits chimiques qui peuvent réagir avec l'eau (tels que l'acide sulfurique), séchez à fond toutes les parties internes du corps de la pompe (il y a un peu d'eau dans la tête de la pompe dès la livraison de notre usine).

La pompe doseuse ne peut pas être utilisée en excédant la pression nominale. La valeur de pression nominale est indiquée sur la plaque signalétique de la pompe doseuse et l'unité est bar (1 bar = 1 kilogramme force/cm<sup>2</sup> = 10 mètres colonne d'eau). Si la pression nominale est dépassée, la pompe peut être endommagée.

La température ambiante pour l'installation de la pompe ne peut pas dépasser 40 °C et l'humidité relative ne peut pas être supérieure à 90% ; la pompe ne peut pas être installée à l'endroit exposé au soleil ou aux intempéries.

Sélectionnez un endroit commode pour l'entretien lors de l'installation de la pompe et fixez la pompe pour éviter les vibrations inutiles. La pompe doit être installée sur un plan horizontal.

Assurez-vous que la conduite d'aspiration et de refoulement sont correctement installées. Le clapet de refoulement ne remplace pas le clapet d'aspiration et vice versa.

Garder les clapets d'aspiration et de refoulement propres.

Lorsque les clapets d'aspiration et de refoulement sont nettoyés, ils doivent être démontés et installés avec précaution. Le manque d'une partie quelconque va influencer l'utilisation normale.

Les tuyaux, le filtre de fond et la vanne d'injection fournis doivent être utilisés ensemble. Ce sont les conditions nécessaires pour un dosage précis.

Si les conditions le permettent, une soupape de sécurité doit être configurée, afin d'éviter des dommages à la pompe due à l'obstruction.

S'il vous plaît serrez les écrous du tuyau de raccordement avec les mains et n'utilisez pas des outils.



**Raccordement des tuyaux d'entrée et de sortie** : utilisez le support de tuyau et le presse-étoupe fournie ; serrer la bague pour empêcher la fuite de liquides du tube qui peut provoquer un dysfonctionnement de la pompe. S'il vous plaît vérifiez régulièrement les conditions des tuyaux. En cas de vieillissement du connecteur du tuyau, s'il vous plaît remplacez le tuyau ou coupez la partie vieille et la serrez à nouveau.

**Amorçage manuel** : la vanne d'amorçage est située à la droite de la pompe doseuse. Pendant l'opération d'amorçage, ouvrez la vanne et fermez-la à nouveau après avoir épuisé le gaz. La sortie d'amorçage doit également être connectée au tuyau pour épuiser le mélange liquide-gaz, de manière à empêcher l'égouttage sur la tête de la pompe et la corrosion des boulons.

La pression de la conduite de refoulement doit être supérieure à la pression de la conduite d'aspiration. Dans le cas contraire, du siphon sera généré.

Lorsque la pompe fonctionne pendant 800 heures, serrez à nouveau les vis de fixation sur la tête de pompe.

## 4.7 Démarrage

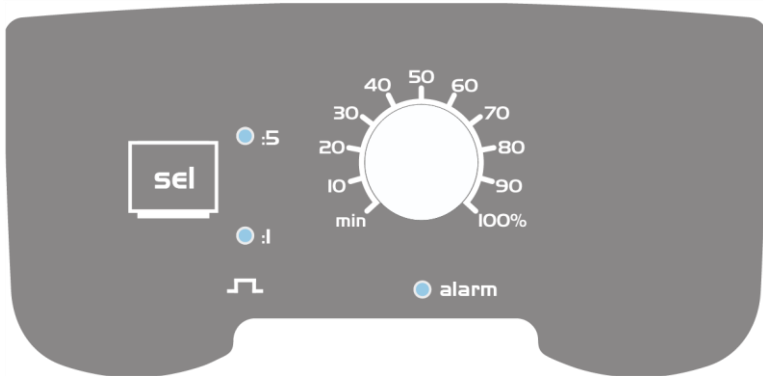


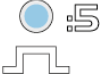


Une fois que toutes les opérations décrites précédemment ont été contrôlées, la pompe peut être démarrée.

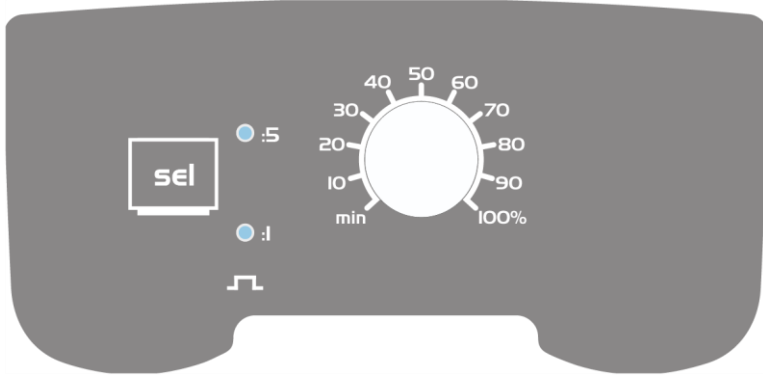




## 4.8 Amorçage

- Faire démarrer la pompe
- Ouvrir le raccord d'amorçage en tournant le pommeau dans le sens inverse des aiguilles d'une montre et attendre que le liquide sorte du tube raccordé.

Dès que vous êtes certains que la pompe est totalement pleine de liquide, fermez le raccord et la pompe commence à doser.

## 5 Panneau de contrôle

<b>Tekna AKL</b>	
	
	Potentiomètre régulation % du débit
	Sélecteur fréquence maximale
	Led voyant fréquence maximale (:5) et impulsion de dosage
	Led voyant fréquence maximale et impulsion de dosage
	Led voyant alarme sonde de niveau

<b>Tekna AKS</b>	
	
	Potentiomètre régulation % du débit
	Sélecteur fréquence maximale
	Led voyant fréquence maximale (:5) et impulsion de dosage
	Led voyant fréquence maximale et impulsion de dosage

## 6 Alarmes (uniquement Tekna AKL)

Affichage	Cause	Interruption
Led Alarme fixe	Alarme sonde de niveau (liquide fini dans le réservoir)	Rétablissement du niveau du liquide

## 7 Résolution des problèmes

Problème	Cause probable	Solution
La pompe fonctionne régulièrement, mais le dosage s'est interrompu	Clapets obstrués	Nettoyer les clapets et les remplacer si les incrustations ne peuvent pas être retirées.
	Hauteur d'aspiration excessive	Placer la pompe ou le réservoir de façon à réduire la hauteur d'aspiration.
	Liquide trop visqueux	Réduire la hauteur d'aspiration ou utiliser une pompe avec des débits supérieurs.
Débit insuffisant	Fuites des clapets	Contrôler le serrage des bagues.
	Liquide trop visqueux	Réduire la hauteur d'aspiration ou utiliser une pompe avec des débits supérieurs.
	Clapets partiellement obstrués	Nettoyer les clapets et les remplacer si les incrustations ne peuvent pas être retirées.
Débit de la pompe irrégulier	Effet de siphon au refoulement	Vérifier l'installation du clapet d'injection. Insérez un clapet anti-retour si cela ne suffit pas.
	Tube PVC transparent sur le refoulement	Utiliser le tube en PE opaque sur le refoulement.
	La pompe n'est pas correctement calibrée	Vérifier le débit de la pompe par rapport à la pression du système.
Membrane cassée	Contre-pression excessive	Contrôler la pression de l'installation. Vérifier si le clapet d'injection est obstrué. Vérifier si les clapets de refoulement et le point d'injection sont obstrués.
	Fonctionnement sans liquide	Vérifier la présence du filtre (clapet) de fond. Utilisez une sonde de niveau qui bloque la pompe lorsque le produit chimique dans le réservoir se termine.
	Membrane non fixée correctement	Remplacer la membrane et vérifier le serrage correct de la même.
La pompe ne démarre pas	Alimentation insuffisante	Vérifier si les valeurs indiquées sur la plaque de la pompe correspondent à celles du réseau électrique.

## 8 Entretien

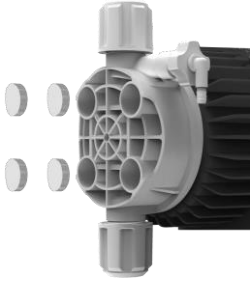


### 8.1 Précautions

- Avant toute intervention d'entretien sur la pompe, vérifier que toutes les connexions électriques ont été débranchées.
- Dépressuriser complètement la pompe et vidanger les tuyaux dans la section où un entretien est nécessaire.
- Toujours porter les équipements de protection requis lors des travaux.
- Ne pas déverser de substances polluantes telles que les produits chimiques pompés, le fluide hydraulique, l'huile de lubrification dans l'environnement.
- Lire attentivement les spécifications techniques des fluides dosés et traités afin de connaître les risques et les actions à entreprendre en cas de contact accidentel avec un fluide dangereux.

### 8.2 Tête de la pompe

**Ne pas faire fonctionner la pompe sans liquide de process. Au moins tous les six mois, démonter la tête de la pompe et effectuer les opérations décrites ci-dessous :**

- Déconnecter les tuyaux d'aspiration et d'évacuation
- Vidanger le liquide de process dans la tête de pompe et les tuyaux
- Démonter la tête de pompe en suivant ces étapes :

<p>a) Retirer les 4 capuchons pour accéder aux boulons</p> <p>b) Dévisser les boulons fixant la tête de la pompe au mécanisme</p>	
<p>c) Extraire la tête de pompe et laver soigneusement les vannes d'aspiration et d'évacuation</p> <p>d) Vérifier si la garniture est usée ; si nécessaire, remplacez-la</p>	
<p>e) Inspecter la membrane pour repérer toute trace d'usure</p>	

- Remonter la tête de pompe et fixer les boulons
- Replacer les capuchons sur les trous des boulons

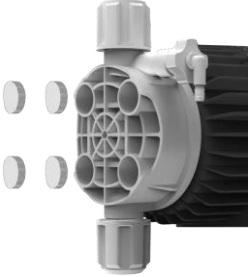

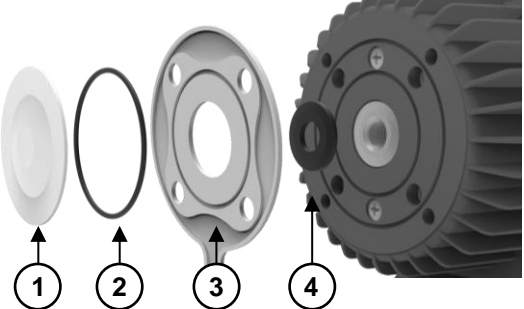

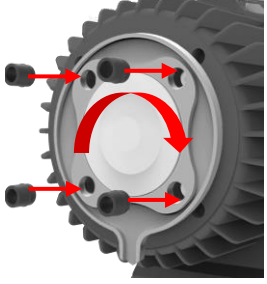


**Serrer les boulons du corps de pompe en appliquant un couple de serrage de 4 Nm.**

### 8.3 Remplacement de la membrane

S'il y a des fuites dans la zone de la tête de pompe, une fois la procédure d'entretien de la tête de pompe terminée, effectuer la procédure de remplacement de la membrane :

- Débrancher les tuyaux d'aspiration et de refoulement, vidanger le liquide de traitement de la tête de pompe et des tuyaux
- Démontez la tête de pompe et la membrane en suivant ces étapes :

<p>a) Retirer les 4 capuchons pour accéder aux boulons</p> <p>b) Dévisser les boulons fixant la tête de la pompe au mécanisme</p> <p>c) Extraire la tête de pompe</p>	
<p>d) Retirer la membrane (disque PVDF blanc) en la dévissant de son logement</p>	
<p>e) Inspecter l'ensemble des parties pour repérer toute trace d'usure : membrane (1), joint de membrane (2), grand disque anti-infiltration (3) et petit disque anti-infiltration (4)</p> <p>f) Remplacer toute pièce défectueuse</p>	
<p>g) Le grand disque anti-infiltration doit être installé avec la petite rainure positionnée sur le fond du carter de la pompe et face à l'opposé du solénoïde, avec les 4 trous correspondant aux logements des vis du carter de la pompe.</p> <p>h) Le petit disque anti-infiltration doit être positionné au centre du plus grand disque, au-dessus du piston du solénoïde.</p>	
<p>i) Visser la membrane sur le piston du solénoïde</p> <p>j) Insérer les 4 joints fournis dans les trous en faisant attention au sens : l'extrémité la plus courte doit être placée au fond du trou</p>	

- Remonter la tête de pompe, fixer les boulons et replacer les capuchons sur les trous des boulons

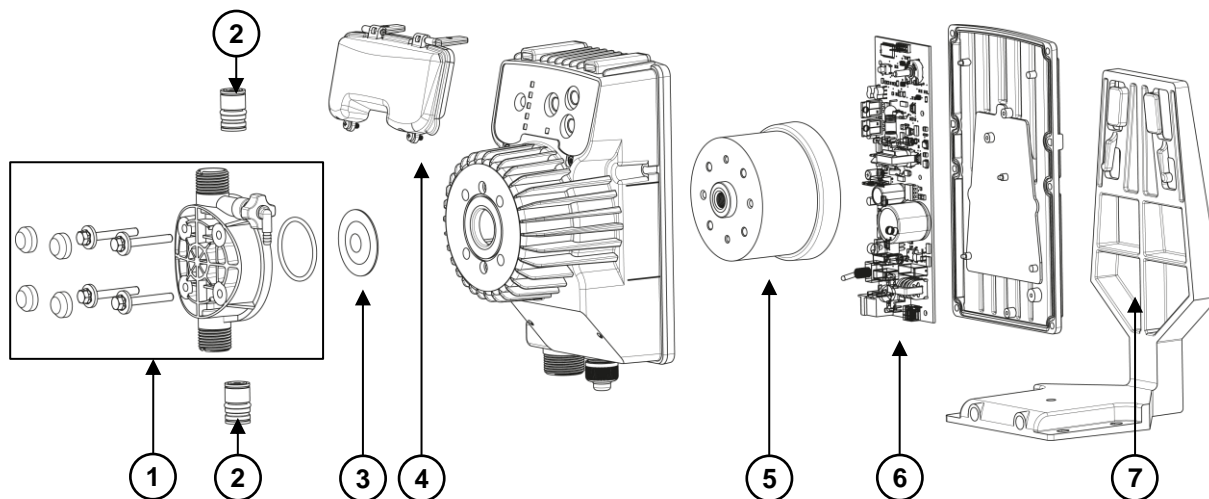


**Serrer les boulons du corps de pompe en appliquant un couple de serrage de 4 Nm.**

## 8.4 Vue en éclaté des pièces de rechange

Pour pouvoir exécuter l'entretien ordinaire et éviter toute perte de temps, il est conseillé de garder une petite réserve des pièces suivantes en stock :

- Vanne d'aspiration complète
- Vanne d'évacuation complète
- Tête de pompe complète
- Membrane, disques anti-infiltration et joints



1	Tête de la pompe
2	Vannes
3	Membrane
4	Couverture de la zone de contrôle

5	Solénoïde
6	Carte mère
7	Support pour socle

### REMARQUE



Lors de la commande de pièces de rechange, toujours indiquer le modèle et le numéro de série de la pompe.

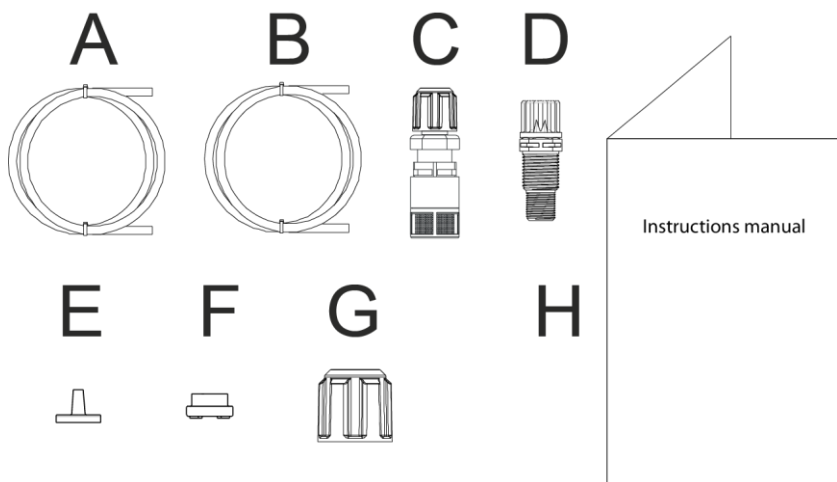
## 8.5 Considérations relatives à l'élimination

Jeter les matériaux électroniques ou toxiques conformément à la réglementation applicable, qui varie d'un pays à l'autre.

Dans la plupart des pays, il est interdit d'éliminer les matériaux électroniques ou toxiques de manière autonome et les utilisateurs sont invités à les jeter correctement, éventuellement par l'intermédiaire d'organisation à but non lucratif désignées par les administrations locales ou organisées à titre volontaire par des professionnels.

Les remettre à des centres de recyclage agréés, éventuellement par l'intermédiaire d'un transporteur de déchet détenant les permis nécessaires.

## 1 Contenuto dell'imballo



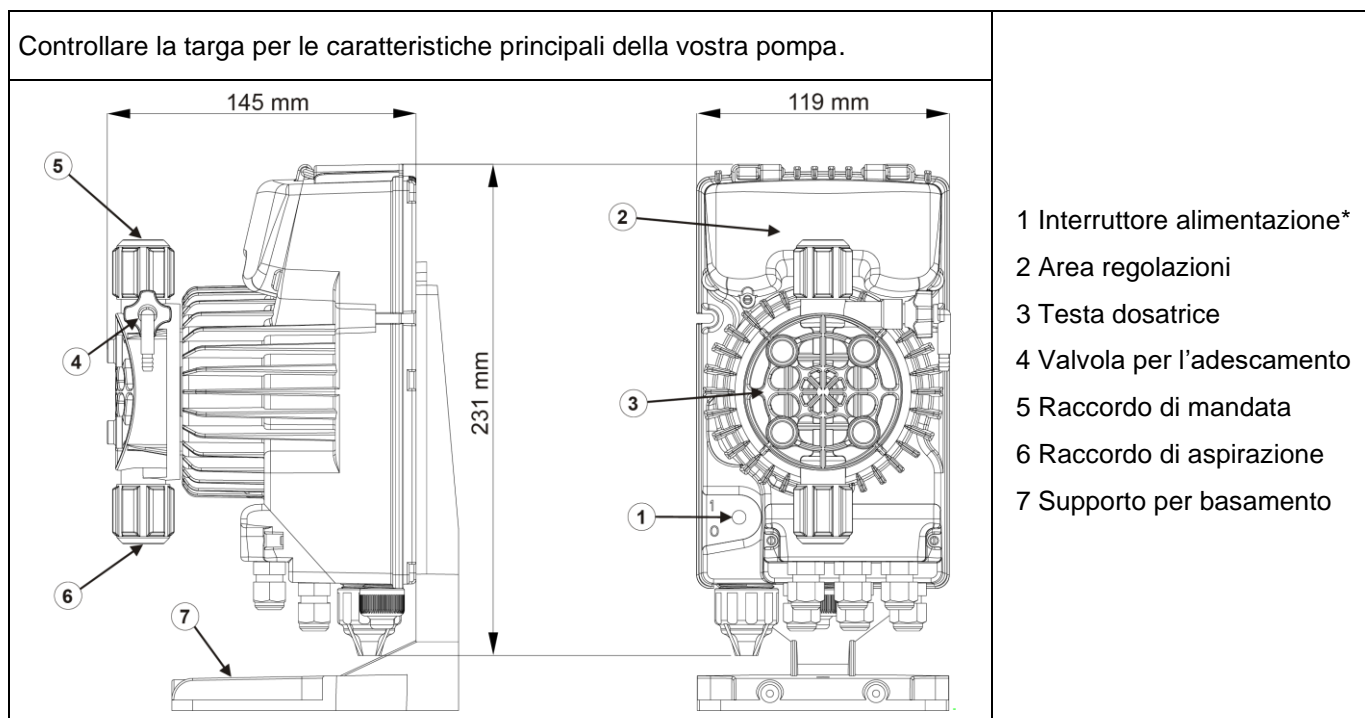
- A. Tubo opaco per il collegamento dell'uscita della pompa al punto di iniezione
- B. Tubo trasparente per l'aspirazione, per il collegamento della valvola di spurgo e per l'adescamento manuale
- C. Filtro di fondo
- D. Raccordo iniezione
- E. Inserto di compressione
- F. Pressatubo
- G. Ghiera
- H. Manuale d'istruzioni

## 2 Introduzione



**VERIFICARE LE CARATTERISTICHE IDRAULICHE DELLA POMPA SULLA TARGA RIPORTATA IN ETICHETTA**

La pompa dosatrice è composta di una parte di comando che alloggia l'elettronica ed il magnete ed una parte idraulica sempre a contatto con il liquido da dosare.



\* In alcuni modelli, l'interruttore non è presente. Per questo tipo di pompe, tenendo premuto **sel** per almeno 5 secondi la pompa va in fermo funzionale e tutti i LED lampeggeranno per indicarne lo stato, in questo stato la pompa non dosa. Premendo di nuovo **sel** la pompa ritorna nello stato di lavoro.

È garantita la compatibilità del corpo pompa con i prodotti chimici più comuni. Considerando i diversi prodotti chimici del mercato, si consiglia di controllare la compatibilità chimica tra il prodotto e i materiali a contatto.

## PRECAUZIONI!

Prima di procedere all'installazione o manutenzione della pompa

**Attenzione! Raccomandiamo l'installazione della pompa in posizione verticale per garantire il corretto funzionamento.**

**Attenzione! Prodotto destinato esclusivamente ad uso professionale, da personale qualificato.**

**Attenzione! Scollegare sempre l'alimentazione e seguire le procedure di sicurezza relative al prodotto dosato**

**Attenzione! Raccomandiamo l'installazione della pompa in posizione verticale per garantire il corretto funzionamento.**

### 3 Caratteristiche tecniche

Materiali che compongono la testa della pompa:

- **Testa pompa:** PVDF
- **Valvole:** PVDF
- **Sfere:** Ceramica
- **Membrana:** PTFE
- **O-Ring:** FKM-B/EPDM

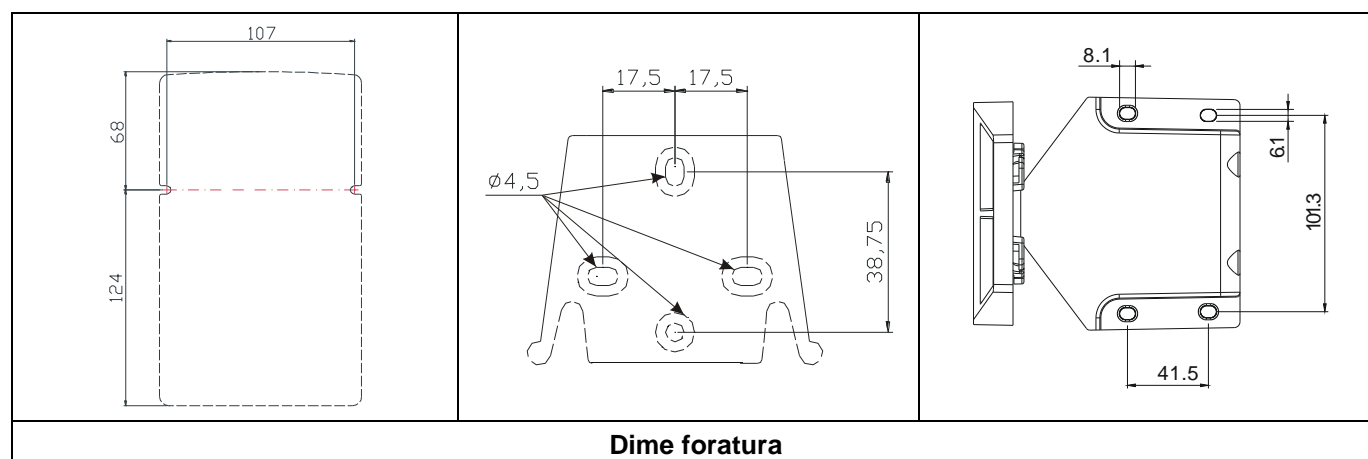
**N.B:** Per le caratteristiche tecniche della pompa vedere etichetta.

**Prima di installare o eseguire la manutenzione sulla pompa leggere le seguenti note:**

1. Vari parametri tecnici di tutte le pompe sono ottenuti utilizzando l'acqua. Prima di dosare dei prodotti chimici che possano reagire con l'acqua, come l'acido solforico, asciugare accuratamente tutte le parti interne del corpo pompa.
2. Installare la pompa in una zona in cui la temperatura ambiente non superi i 40°C e l'umidità relativa sia inferiore al 90%. La pompa ha un grado di protezione IP65.
3. Installare la pompa in modo che eventuali operazioni d'ispezione e manutenzione siano facili da realizzare, quindi fissare la pompa saldamente per evitare vibrazioni eccessive.
4. Controllare che la tensione di alimentazione sia compatibile con la tensione nominale indicata sulla targa della pompa.
5. Verificare che la pressione delle tubature non superi la pressione massima nominale della pompa dosatrice, soprattutto durante il dosaggio.

### 4 Installazione

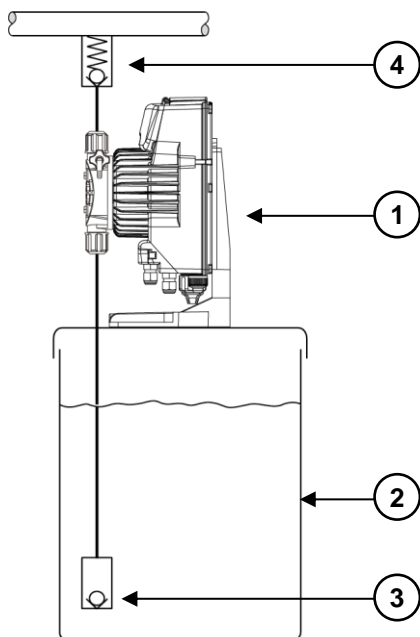
La pompa deve essere installata su una superficie orizzontale piana e stabile.





## 4.1 Consigli per l'installazione della pompa

### 4.1.1 Installazione standard

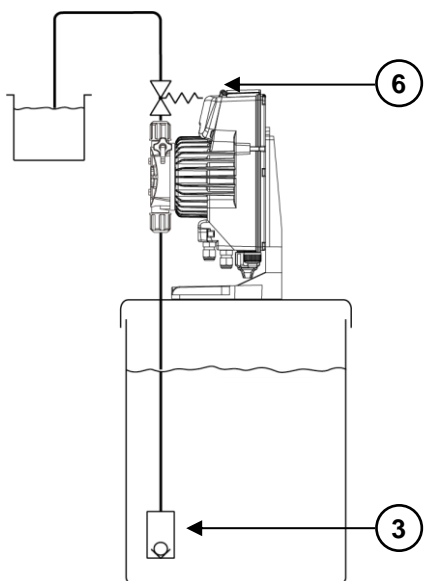


#### Descrizione

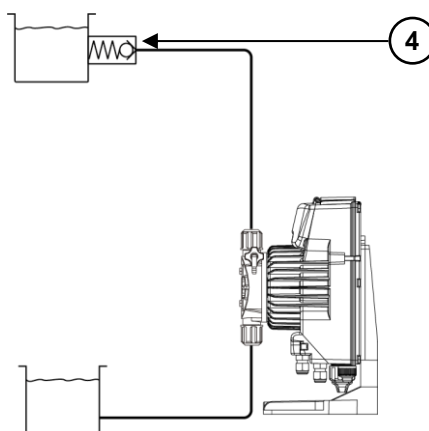
1	Pompa dosatrice
2	Serbatoio
3	Filtro di fondo con valvola di ritegno a sfera
4	Valvola di iniezione
5	Valvola di iniezione con molla rinforzata
6	Valvola multifunzione
7	Valvola di contropressione (installazione sulla linea di mandata)
8	Smorzatore a impulsi
9	Valvola scarico
10	Valvola di spurgo
11	Valvola di isolamento

### 4.1.2 Scarico atmosferico

#### 4.1.2.1 Scarico atmosferico e testata bassa

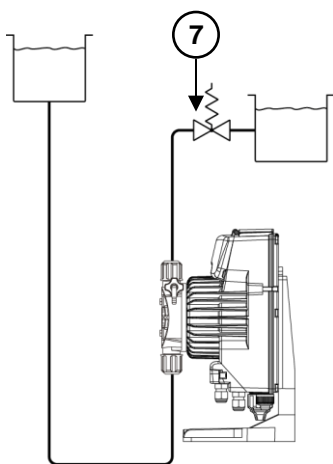


#### 4.1.2.2 Scarico atmosferico e testata ampia

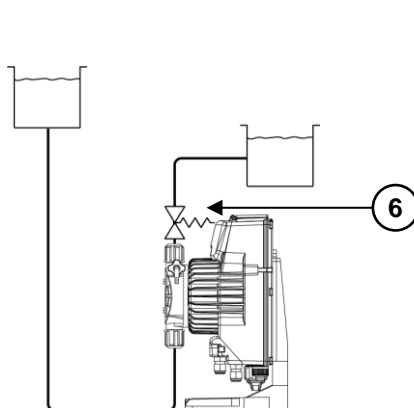


### 4.1.3 Con contropressione

4.1.3.1 Contropressione sul lato di aspirazione e testata con mandata ampia

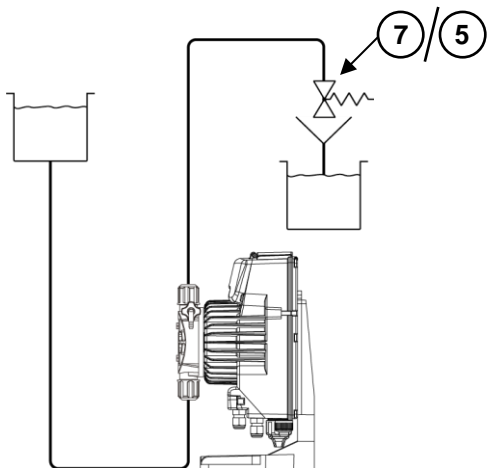


4.1.3.2 Contropressione sul lato di aspirazione e testata con mandata bassa

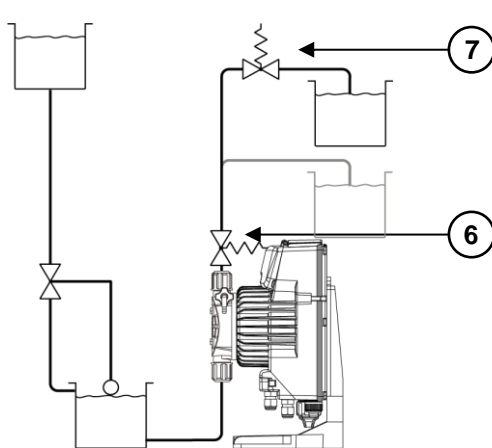


### 4.1.4 Con prevenzione in sicurezza dei sifonaggi

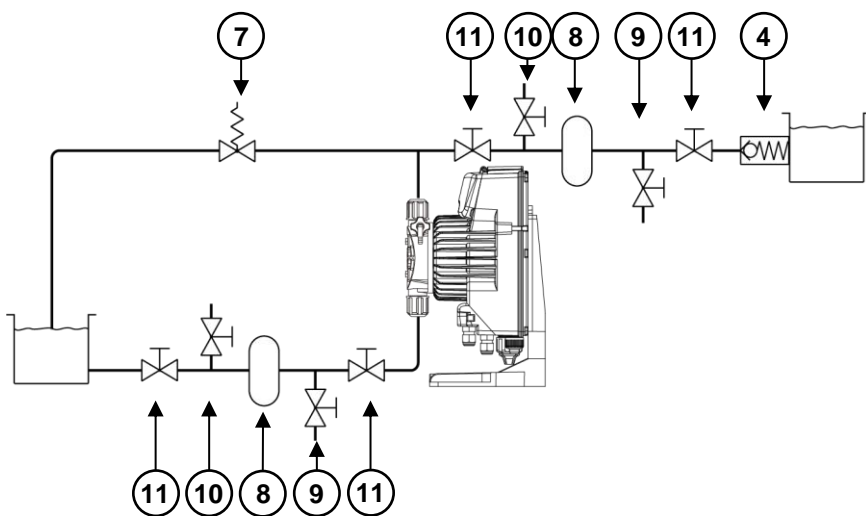
4.1.4.1 Installazione progettata per prevenire il sifonaggio di sostanze pericolose



4.1.4.2 Installazione progettata per prevenire il sifonaggio di sostanze pericolose

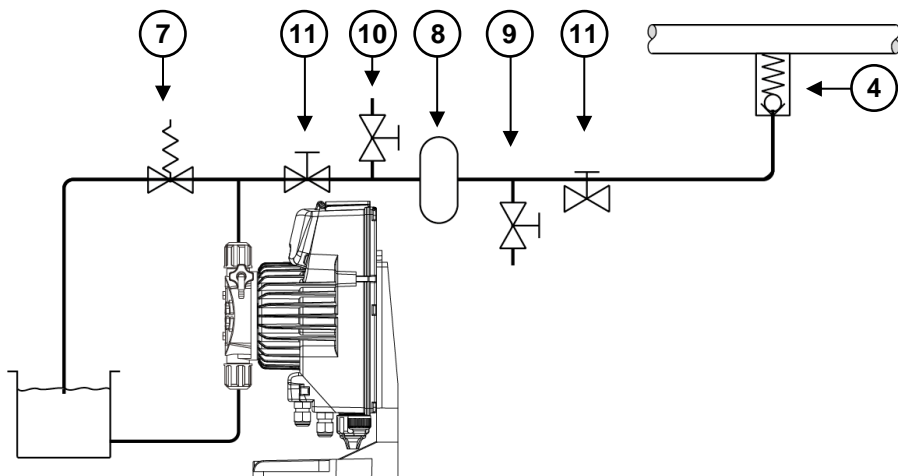


### 4.1.5 Con linee di aspirazione o di mandata lunghe

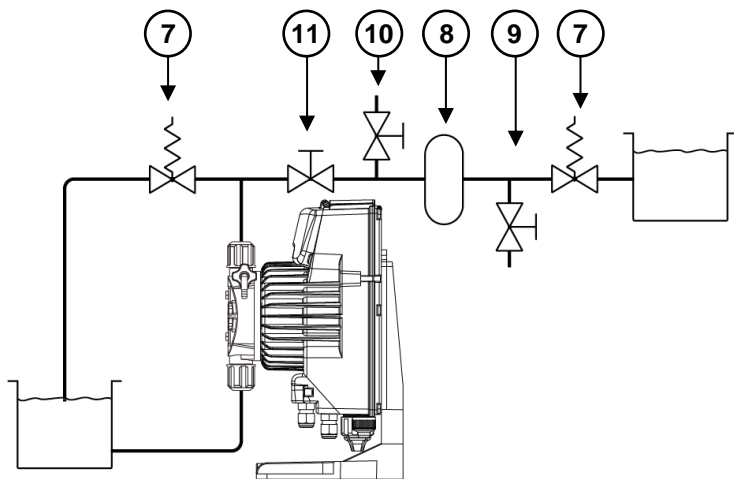


## 4.1.6 Per misurazione senza impulsi

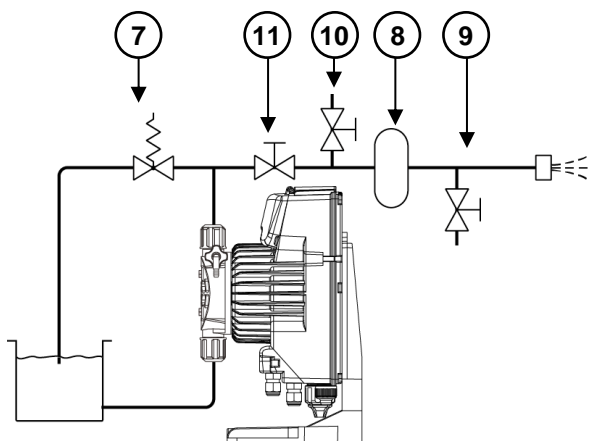
### 4.1.6.1 Nelle linee di mandata



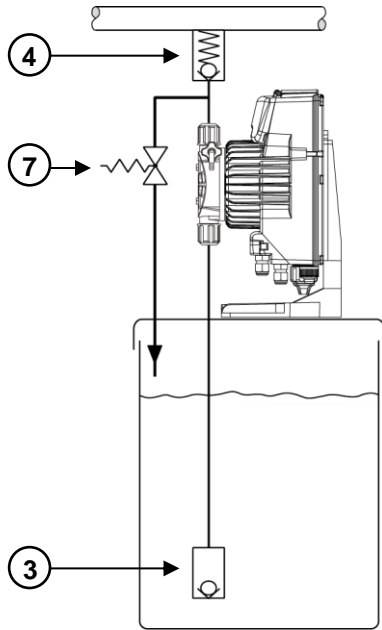
### 4.1.6.2 In un sistema atmosferico



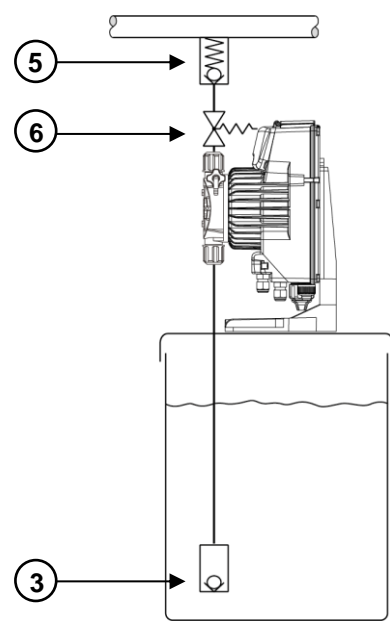
### 4.1.6.3 Senza sovralimentazioni



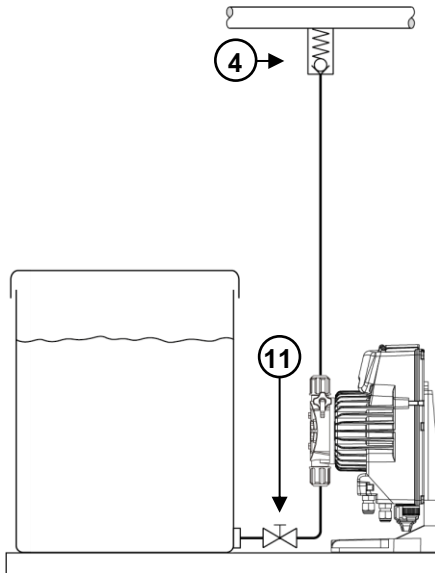
#### 4.1.7 Protezione contro eventuali sovrappressioni



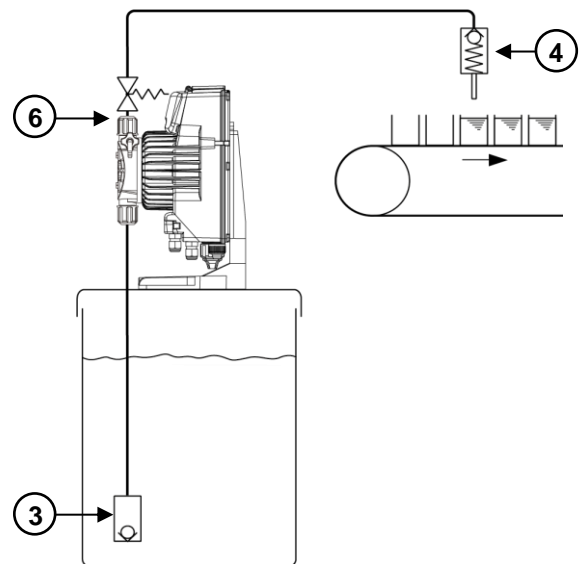
#### 4.1.8 Misurazione in vuoto



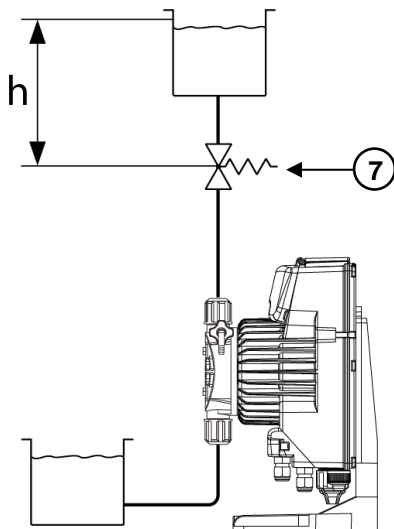
#### 4.1.9 Con sostanze che tendono a emettere fumi e vapori



#### 4.1.10 Misurazione singola a impulsi



#### 4.1.11 Posizionamento corretto della valvola di contropressione



Calcolo dell'altezza massima della linea ammessa  $h_{max}$  sopra la valvola di contropressione:

$$h_{max} \leq \frac{P \times 14.3}{\text{Rho} \times g}$$

$h_{max}$  = altezza massima della linea (m)

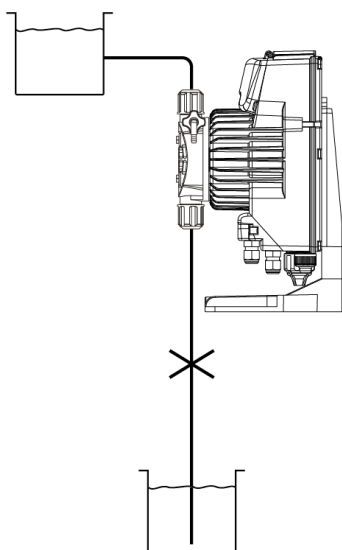
P = pressione pre-sollecitazione (bar)

g = costante di gravitazione (10 m/s<sup>2</sup>)

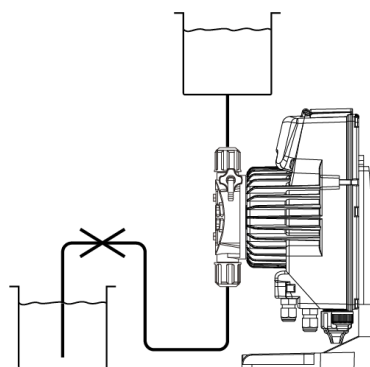
Rho = densità della sostanza da erogare (kg/dm<sup>3</sup>)

## 4.2 Installazioni errate della pompa

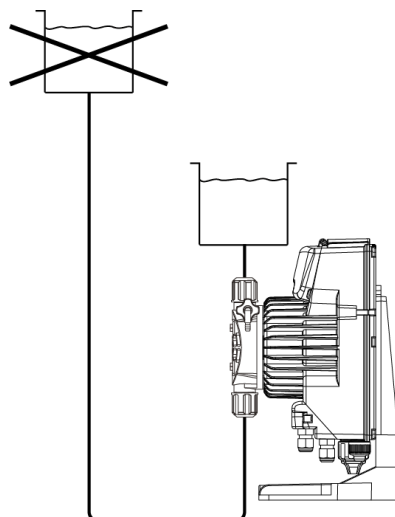
### 4.2.1 Linea di aspirazione troppo alta



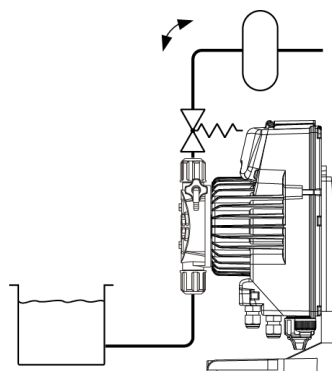
### 4.2.2 Flusso libero, la sostanza viene alimentata attraverso la pompa per effetto della forza di gravità



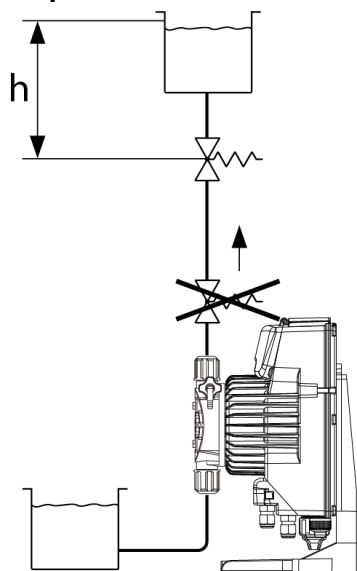
### 4.2.3 Impossibile spurgare la linea di aspirazione



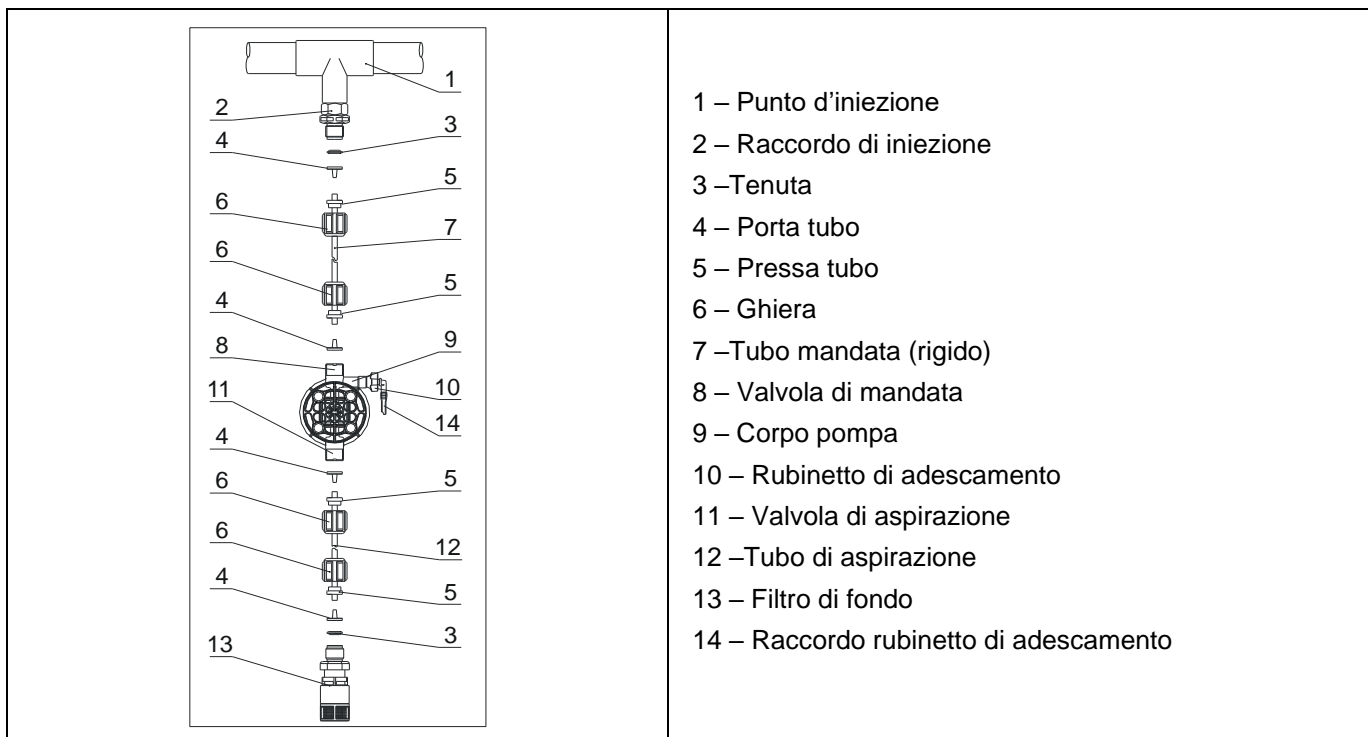
### 4.2.4 Accumulatore inefficiente



### 4.2.5 Posizione errata della valvola di contropressione



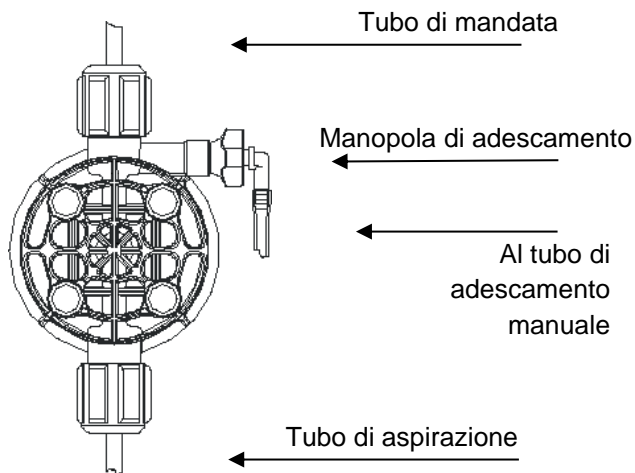
### 4.3 Collegamenti idraulici



#### 4.3.1 Tubo di adescamento

Inserire un lato del tubo di adescamento nel connettore di mandata. Inserire l'altro lato del tubo di adescamento nel serbatoio del prodotto.

Durante la procedura di adescamento, il prodotto in eccesso finirà all'interno del serbatoio.



Modello di testata per pompa ad adescamento manuale, collegamenti alla testata della pompa in PVDF

È possibile piegare leggermente il tubo di adescamento.



**Durante la procedura di calibrazione ("TEST"), inserire il tubo di adescamento nel tubo di prova BECKER.**



**Le valvole di aspirazione e mandata devono essere in posizione verticale**

### 4.3.2 Aspirazione pompa



**Il tubo di aspirazione deve essere il più corto possibile e installato verticalmente per evitare l'aspirazione di bolle d'aria.**

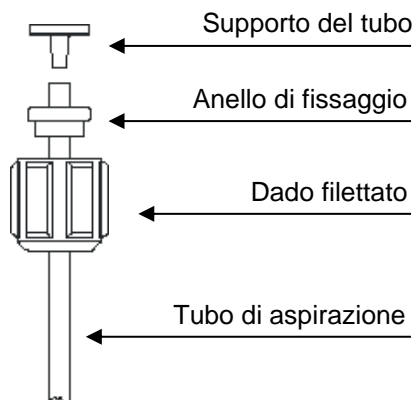
Svitare completamente il dado di fissaggio dalla testata della pompa e rimuovere i componenti di assemblaggio: dado di fissaggio, anello di fissaggio e supporto del tubo.

Inserire il tubo nell'apposito supporto fino a raggiungere la base. Bloccare il tubo sulla testata della pompa avvitando il dado di fissaggio.



**Stringere saldamente il dado a mano.**

Non usare pinze o altri strumenti.

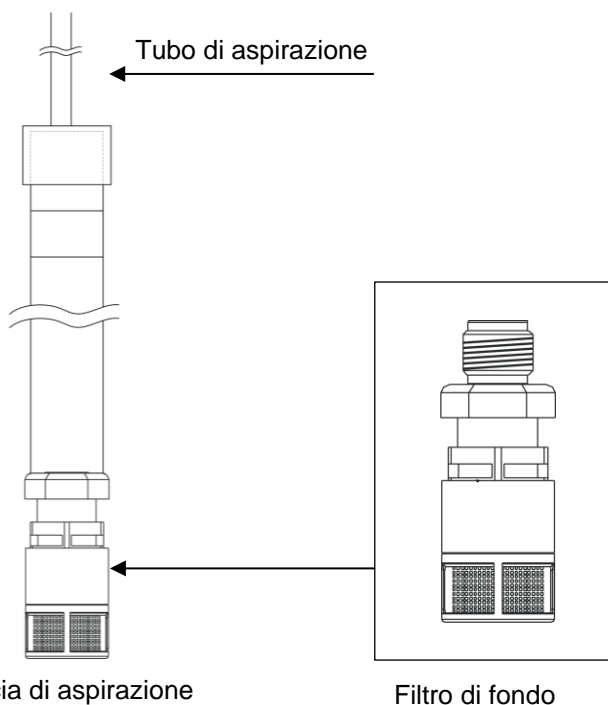


Assemblaggio del tubo di aspirazione

#### 4.3.2.1 Installazione del filtro di fondo

La sonda di livello è montata con un filtro di fondo che evita gli eventuali problemi legati all'adesimento di sedimenti.

Installare la sonda di livello alla base del serbatoio.



**Avvertenza: Se nel serbatoio è presente un miscelatore, installare una lancia di aspirazione al posto della sonda di livello/filtro di fondo.**

### 4.3.3 Mandata pompa



**Fissare saldamente il tubo di mandata onde evitare movimenti improvvisi che potrebbero danneggiare gli oggetti circostanti**

Svitare completamente il dado di fissaggio dalla testata della pompa e rimuovere i componenti di assemblaggio: dado di fissaggio, anello di fissaggio e supporto del tubo.

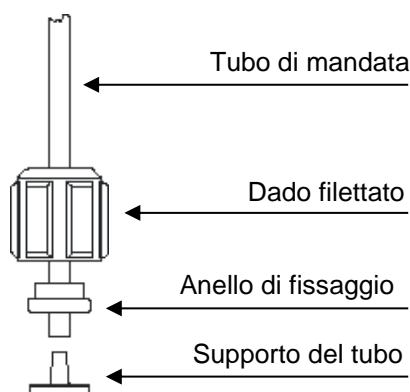
Inserire il tubo nell'apposito supporto fino a raggiungere la base. Bloccare il tubo sulla testata della pompa avvitando il dado di fissaggio.



**Stringere saldamente il dado a mano.**

Collegare l'altra estremità del tubo alla valvola di iniezione seguendo la stessa procedura.

Collegare l'altra estremità del tubo alla valvola di iniezione seguendo la stessa procedura.



Assemblaggio del tubo di mandata

#### 4.3.3.1 Raccordo d'iniezione

Installare il raccordo d'iniezione a distanza dall'ingresso dell'acqua.

Il raccordo si aprirà a una pressione superiore a 0,3 bar.

## 4.4 Connessioni elettriche

	<p>Ingresso A = Alimentazione</p> <p>Ingresso B = Livello</p>	<p>La pompa deve essere collegata a un'alimentazione conforme a quella indicata sull'etichetta. Se la tensione è troppo alta la pompa si può danneggiare.</p> <p>Le pompe sono state progettate per assorbire piccole sovratensioni. Pertanto, al fine di evitare che la pompa venga danneggiata, è sempre preferibile assicurarsi che la pompa non abbia una fonte di energia condivisa con gli apparecchi elettrici che generano alte tensioni.</p> <p><b>Il collegamento con la linea trifase 380V va fatto esclusivamente tra fase e neutro, non vanno realizzati collegamenti tra fase e terra.</b></p>
--	---	--



## 4.5 Note

Dopo circa 800 ore di lavoro stringere i bulloni del corpo pompa, applicando una coppia di serraggio di 4 Nm.

Nell'eseguire i collegamenti idraulici occorre osservare le seguenti istruzioni:

- Installare il **FILTRO DI FONDO** a circa 5-10cm dal fondo in modo da evitare che eventuali depositi ostruiscano il corpo filtrante.
- L'installazione con pompa sotto battente è raccomandata per pompe con portata molto piccola. In particolare quando si dosano prodotti che sviluppino gas (es: ipoclorito di sodio, idrazina, perossido di idrogeno,...).
- La nostra pompa è equipaggiata di tubi di aspirazione e mandata. Qualora ci fosse necessità di utilizzare tubi più lunghi rispetto a quelli forniti nel kit di installazione, è importante che questi siano della stessa sezione di quelli forniti con la pompa.
- Se la pompa è esposta ai raggi solari si consiglia l'utilizzo di tubi neri appositamente resistenti.
- Il **PUNTO DI INIEZIONE** è consigliabile sia posizionato più in alto della pompa o del serbatoio.
- La **VALVOLA DI INIEZIONE**, fornita con la pompa, deve essere sempre installata al termine della linea di mandata del flusso di dosaggio.

## 4.6 Precauzioni per l'uso

La tensione di funzionamento della pompa elettromagnetica è 100 ÷ 240V, 50/60Hz. Le pompe sono state progettate per tollerare piccole sovratensioni. Pertanto, per evitare che la pompa venga danneggiata, è sempre preferibile assicurarsi che questa non abbia una fonte di energia condivisa con gli apparecchi elettrici che generano alte tensioni.

Al fine di evitare scosse elettriche, la presa di alimentazione della pompa dosatrice deve essere correttamente messa a terra. Separare il filo di messa a terra da quello neutro, coprire con i tappi le viti della testata.

È assolutamente vietato far funzionare la pompa senza liquido per lungo tempo (al massimo 3 minuti).

Prima di dosare dei prodotti chimici che reagiscono con l'acqua (es. acido solforico) asciugare accuratamente tutte le parti interne del corpo pompa (ricordiamo che è presente acqua nella testa della pompa al momento della consegna).

La pompa non può funzionare a una pressione superiore a quella massima di esercizio. Questa è riportata sull'etichetta ed è espressa in bar (1 bar = 1 kg forza/cm<sup>2</sup> = 10 metri colonna d'acqua). Se la pompa funzionasse in condizioni di sovrappressione, si potrebbe danneggiare.

La temperatura ambiente per l'installazione della pompa non può superare 40°C e l'umidità relativa non può essere superiore al 90%; la pompa non può essere installata in un luogo esposto al sole o alle intemperie.

Installare la pompa in modo che la sua manutenzione sia agevole e fissarla al meglio per evitare vibrazioni. La pompa deve essere installata su un piano orizzontale.

Accertarsi che la linea di aspirazione e quella di mandata siano installate correttamente. La valvola di mandata non sostituisce la valvola di aspirazione e viceversa.

Mantenere pulite le valvole di aspirazione/mandata.

Quando le valvole di aspirazione e mandata vengono pulite, devono essere smontate e riassemblate con attenzione. La perdita di qualsiasi componente della valvola ne influenzerà il normale utilizzo.

I tubi, la valvola di fondo e la valvola di iniezione fornite devono essere utilizzate insieme. Queste sono le condizioni necessarie per un dosaggio accurato.

Se le condizioni lo permettono, è preferibile che una valvola di sicurezza sia configurata al fine di evitare eventuali danni alla pompa in caso di blocco.

Si prega di serrare la ghiera di fissaggio dei tubi con le mani, senza utilizzare attrezzi.

### Collegamento tubi di aspirazione e mandata

Utilizzare porta tubo e pressa tubo a corredo; serrare la ghiera di fissaggio per impedire il trafileamento dei liquidi dal tubo che potrebbero causare malfunzionamenti nella pompa. Controllare regolarmente le condizioni dei tubi. In caso d'invecchiamento della connessione del tubo flessibile, si prega di sostituirlo o tagliare la parte danneggiata, quindi stringerla di nuovo.

## **Adescamento manuale**

Il rubinetto di adescamento si trova sul lato destro del corpo pompa. Durante le operazioni di adescamento aprire il rubinetto e quindi serrarlo di nuovo dopo aver scaricato eventuale gas. L'uscita del rubinetto di adescamento deve inoltre essere collegata ad un tubo che scarichi la miscela gas-liquido per prevenire il gocciolamento sulla testata della pompa e la corrosione dei bulloni.

La pressione della linea di mandata deve essere superiore a quella della linea di aspirazione, altrimenti si potrebbe incorrere in fenomeni di sifonamento.

Dopo 800 ore di funzionamento, serrare nuovamente le viti di fissaggio del corpo pompa.

## **4.7 Avvio**

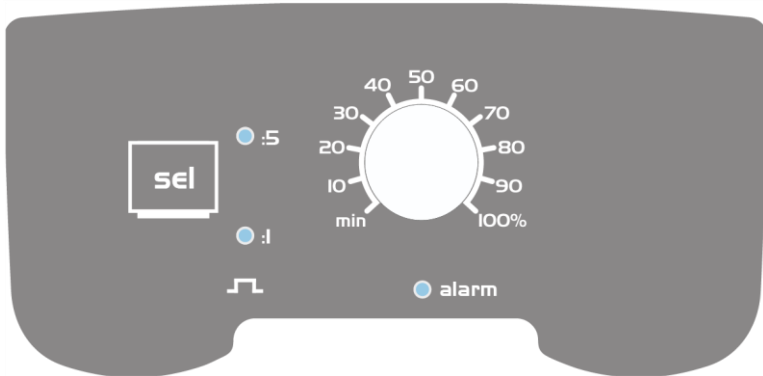


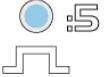


Una volta verificate tutte le operazioni descritte in precedenza, si è pronti per avviare la pompa.

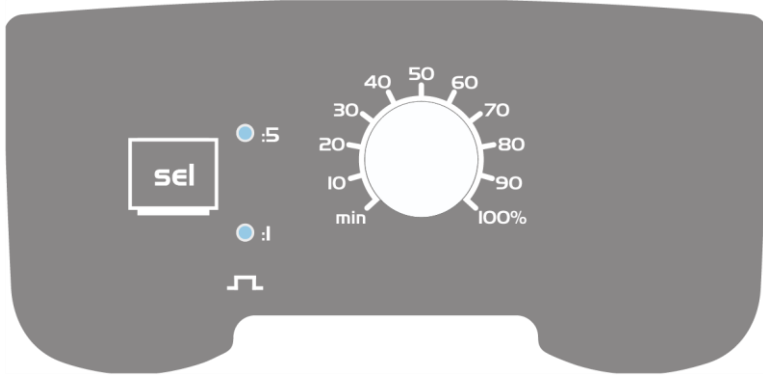




## **4.8 Adescamento**

- Avviare la pompa
- Aprire il raccordo di adescamento ruotando il pomello in senso antiorario ed attendere che fuoriesca del liquido dal tubo ad esso collegato.

Una volta certi che la pompa è perfettamente piena di liquido si può richiudere il raccordo e la pompa inizia a dosare.

## 5 Pannello di controllo

<b>Tekna AKL</b>	
	
	Potenziometro regolazione % della portata
	Selettore massima frequenza
	Led spia frequenza massima (:5) e impulso di dosaggio
	Led spia frequenza massima e impulso di dosaggio
	Led spia allarme sonda di livello

<b>Tekna AKS</b>	
	
	Potenziometro regolazione % della portata
	Selettore massima frequenza
	Led spia frequenza massima (:5) e impulso di dosaggio
	Led spia frequenza massima e impulso di dosaggio

## 6 Allarmi (solo Tekna AKL)

Visualizzazione	Causa	Interruzione
Led Alarm fisso	Allarme sonda di livello (liquido finito nel serbatoio)	Ripristino del livello del liquido.

## 7 Risoluzione problemi

Guasto	Possibile causa	Soluzione
La pompa funziona regolarmente ma il dosaggio è interrotto	Blocco delle valvole	Pulire le valvole o sostituirle, se non è possibile rimuovere le incrostazioni.
	Eccessiva altezza di aspirazione	Posizionare la pompa o il serbatoio in modo da ridurre l'altezza di aspirazione.
	Liquido eccessivamente viscoso	Ridurre l'altezza di aspirazione o utilizzare una pompa con una portata maggiore.
Portata insufficiente	Perdita delle valvole	Controllare il corretto serraggio delle ghiere.
	Liquido eccessivamente viscoso	Ridurre l'altezza di aspirazione o utilizzare una pompa con una portata maggiore.
	Blocco parziale delle valvole	Pulire le valvole o sostituirle, se non è possibile rimuovere le incrostazioni.
Portata della pompa irregolare	Effetto sifone sulla mandata	Verificare l'installazione della valvola d'iniezione. Se non basta, inserire una valvola di contropressione.
	Tubo in PVC trasparente sulla mandata	Utilizzare un tubo PE opaco sulla mandata.
	Pompa non tarata correttamente	Verificare la portata della pompa in relazione alla pressione dell'impianto.
Rottura della membrana	Contropressione eccessiva	Verificare la pressione dell'impianto. Verificare l'eventuale blocco della valvola di iniezione. Verificare se ci siano blocchi fra le valvole di mandata e il punto d'iniezione.
	Funzionamento senza liquido	Verificare la presenza del filtro (valvola) di fondo. Utilizzare una sonda di livello che blocchi la pompa quando il prodotto chimico nel serbatoio finisce.
	Membrana non fissata correttamente	Sostituire la membrana e verificare il corretto serraggio della stessa.
La pompa non si accende	Alimentazione insufficiente	Verificare se i valori di targa della pompa corrispondono a quelli della rete elettrica.

## 8 Manutenzione

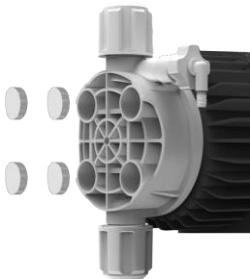


### 8.1 Precauzioni

- Prima di procedere con la manutenzione della pompa, verificare che tutti i collegamenti elettrici siano stati scollegati.
- Depressurizzare completamente la pompa e svuotare i tubi nella sezione in cui è richiesta la manutenzione
- Lavorare sempre indossando i dispositivi di sicurezza necessari.
- Non riversare nell'ambiente sostanze inquinanti come prodotti chimici pompati, liquido idraulico, olio lubrificante
- Leggere attentamente le specifiche tecniche dei fluidi dosati e trattati, per essere consapevoli dei rischi e delle azioni da intraprendere in caso di contatto accidentale con un fluido pericoloso.

### 8.2 Testata

**Non utilizzare la pompa senza liquido di processo. Smontare la testata della pompa ed eseguire almeno ogni sei mesi le operazioni descritte di seguito:**

- Scollegare i tubi di mandata e di aspirazione
- Drenare il liquido di processo dalla testata e dai tubi
- Smontare la testata della pompa secondo la procedura descritta di seguito:

<p>a) Rimuovere i 4 tappi per accedere alle viti</p> <p>b) Svitare le viti che fissano la testata al meccanismo</p>	
<p>c) Estrarre la testata della pompa e lavare con cura le valvole di aspirazione e di mandata</p> <p>d) Verificare che la guarnizione non sia usurata e, se necessario, sostituirla</p>	
<p>e) Controllare la membrana e verificare che non presenti segni di usura</p>	

- Rimontare la testata della pompa e fissare le viti
- Riposizionare i tappi sui fori delle viti

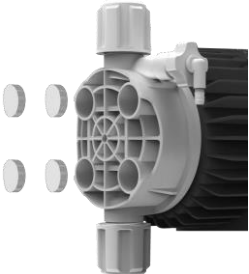

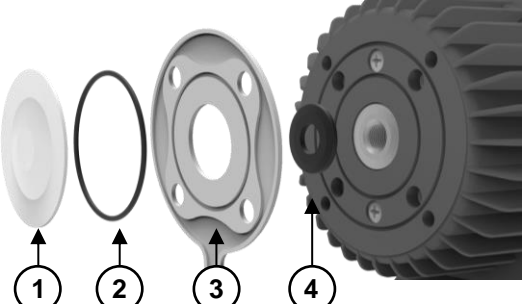




**Stringere le viti sul corpo della pompa applicando una coppia di serraggio di 4 Nm.**

### 8.3 Sostituzione della membrana

In caso di perdite nell'area della testata della pompa, una volta completata la procedura di manutenzione, procedere con la sostituzione della membrana:

- Scollegare i tubi di mandata e di aspirazione e drenare il liquido di processo dalla testata e dai tubi
- Smontare la testata della pompa e la membrana secondo la procedura descritta di seguito:

<p>a) Rimuovere i 4 tappi per accedere alle viti</p> <p>b) Svitare le viti che fissano la testata al meccanismo</p> <p>c) Estrarre la testata della pompa</p>	
<p>d) Rimuovere la membrana (disco bianco in PVDF) svitandola dal relativo alloggiamento</p>	
<p>e) Controllare tutte le parti e verificare che non presentino segni di usura: membrana (1), guarnizione della membrana (2), disco anti-infiltrazioni grande (3) e disco anti-infiltrazioni piccolo (4)</p> <p>f) Sostituire le parti difettose</p>	
<p>g) Installare il disco anti-infiltrazioni grande con la parte scanalata alla base del carter della pompa, rivolta in direzione opposta rispetto al solenoide, con i 4 fori allineati nelle sedi delle viti nel carter della pompa.</p> <p>h) Installare il disco anti-infiltrazioni piccolo al centro del disco grande, sopra il pistone del solenoide.</p>	
<p>i) Avvitare la membrana sul pistone del solenoide</p> <p>j) Inserire le 4 tenute nei fori, prestando attenzione alla direzione: l'estremità più corta deve essere collocata alla base del foro</p>	

- Rimontare la testata della pompa, fissare le viti e riposizionare i tappi sui fori delle viti

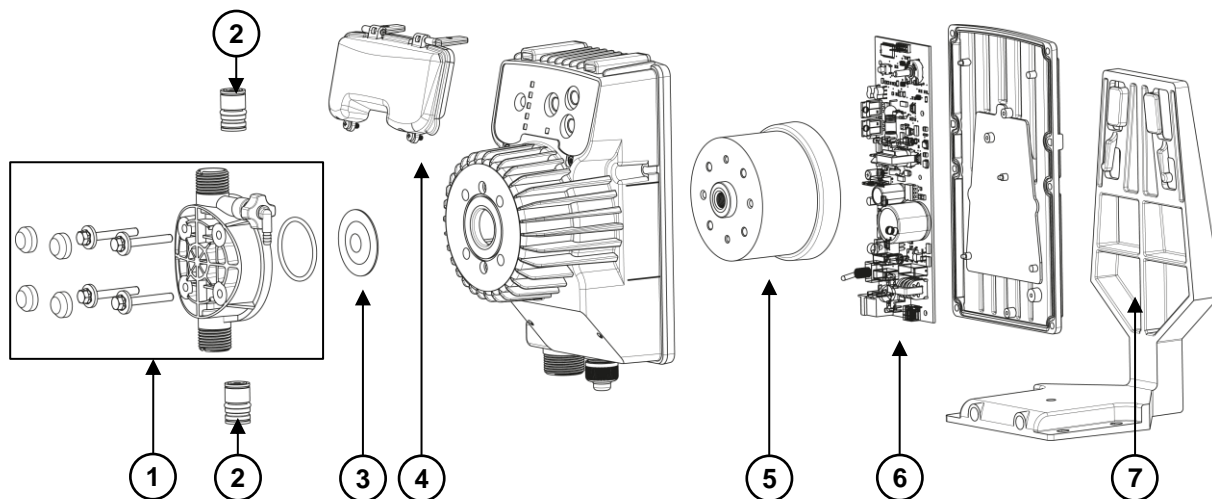


**Stringere le viti sul corpo della pompa applicando una coppia di serraggio di 4 Nm.**

## 8.4 Esploso dei ricambi

Per la manutenzione ordinaria, e per evitare possibili perdite di tempo, si consiglia di tenere a magazzino una piccola quantità dei seguenti ricambi:

- Valvola di aspirazione completa
- Valvola di mandata completa
- Testata pompa completa
- Membrana, dischi anti-infiltrazioni e tenute



1	Testata
2	Valvole
3	Membrana
4	Copertura dell'area di controllo

5	Solenioide
6	Scheda principale
7	Supporto per basamento

### NOTA



In fase di ordine dei pezzi di ricambio, indicare sempre il modello e il numero di serie della pompa.

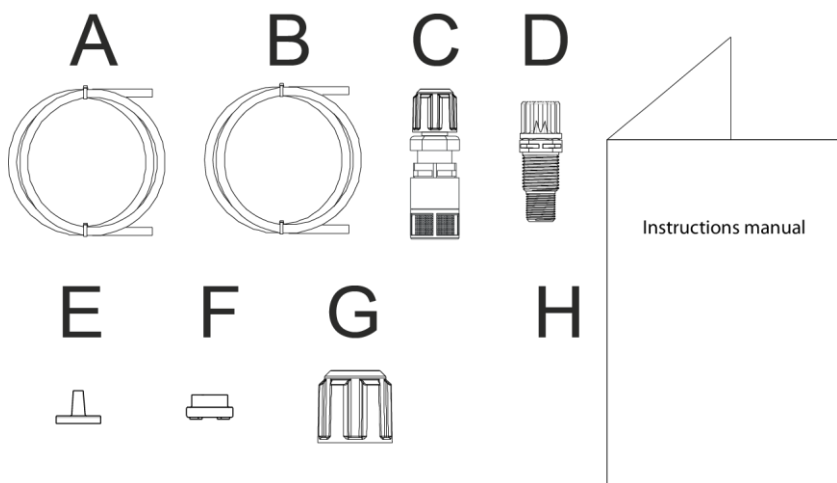
## 8.5 Considerazioni sullo smaltimento

Smaltire i materiali elettronici o tossici in conformità con le normative applicabili che variano da paese a paese.

Nella maggior parte dei paesi, l'auto-smaltimento dei materiali elettronici o tossici usati è proibito e gli utenti finali sono invitati a smaltirli correttamente, eventualmente attraverso organizzazioni no-profit, su mandato delle amministrazioni locali o attività organizzate su base volontaria da professionisti.

Inviare agli impianti di riciclaggio autorizzati, eventualmente tramite un trasportatore di rifiuti autorizzato.

## 1 Paklijst



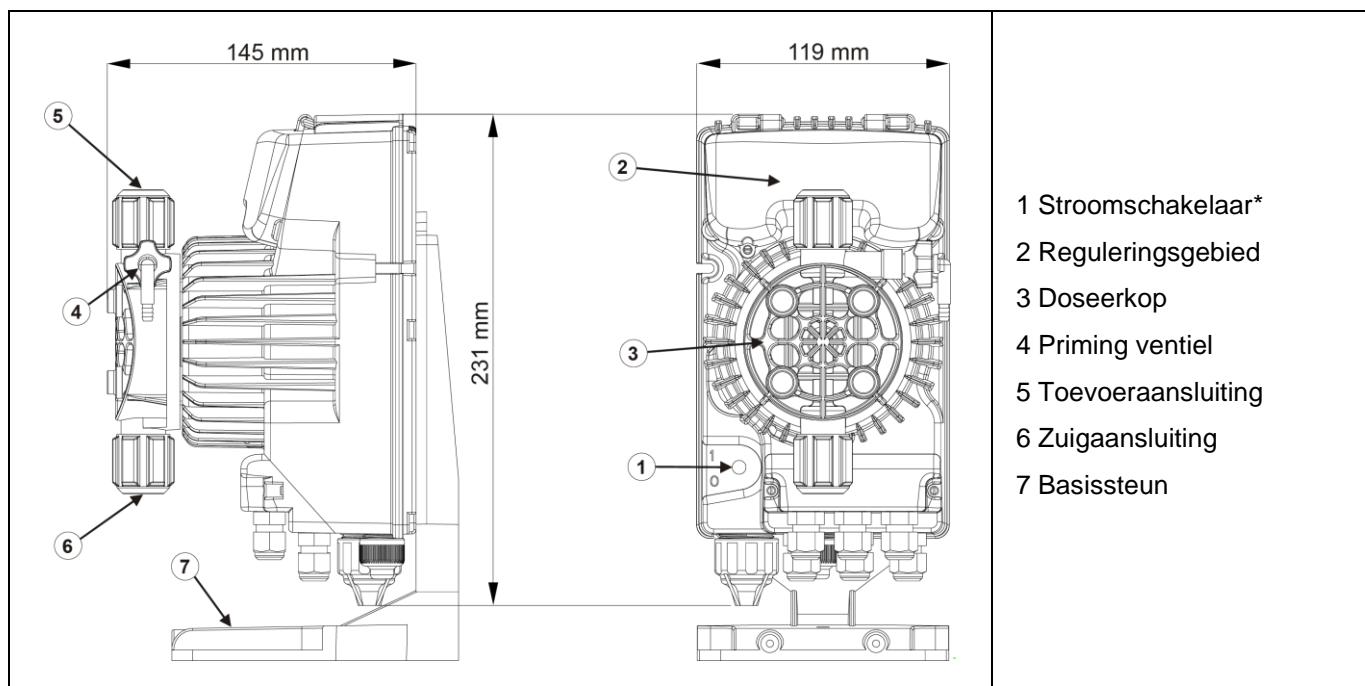
- A. Ondoorzichtige buis om de uitlaat van de pomp aan te sluiten op het injectieventiel
- B. Transparante buis voor het aansluiten van de zuig- en de handmatige vulventiel
- C. Bodemfilter
- D. Injectieventiel
- E. Compressie inzetstuk
- F. Compressie mouw
- G. Compressie moer
- H. Handleidingen

## 2 Introductie



VOOR SPECIALE HYDRAULISCHE FUNCTIES TE ZIEN HET ETIKET OP DE PUMP

De doseerpomp bestaat uit een regeleenheid die de elektronica en de magneet herbergt, en een hydraulische deel in contact met de te doseren vloeistof.



\* In sommige modellen is de schakelaar niet aanwezig. Voor dit type pompen, door **sel** ingedrukt te houden gedurende minstens 5 seconden, zal de pomp stoppen met functioneren en alle lampjes knipperen om de status te geven; in deze toestand wordt de pomp niet doseren.

Door nogmaals op **sel** keert de pomp terug naar zijn werkende staat.

De onderdelen in contact met de vloeistof zijn gekozen om perfecte compatibiliteit met de meeste chemische producten, die gewoonlijk gebruikt worden, te garanderen. Gezien het grote aantal chemische producten op de markt, raden wij het controleren van de chemische bestendigheid van het gedoseerde product en de in aanraking komende materialen.



## VOORZORGSMAATREGELEN!

Lees de volgende voorzorgsmaatregelen aandachtig door voor het installeren of onderhouden van de pomp

**Waarschuwing! Wij adviseren het installeren van de pomp in een verticale positie om een goede werking te garanderen**

**Waarschuwing! Product dat bestemd is voor professioneel gebruik, door vakbekwame personen**

**Waarschuwing! Onderbreek altijd de stroomtoevoer voordat u het product gaat installeren of onderhouden**

**Waarschuwing! Volg de veiligheidsvoorschriften met betrekking tot het te doseren product**

### 3 Technische kenmerken

Materialen, die in de pompkop gebruikt zijn (standaard):

- **Lichaam:** PVDF
- **Kogelkranen:** PVDF
- **Bol:** Keramisch
- **Diafragma:** PTFE
- **O-Ring:** FKM-B/EPDM

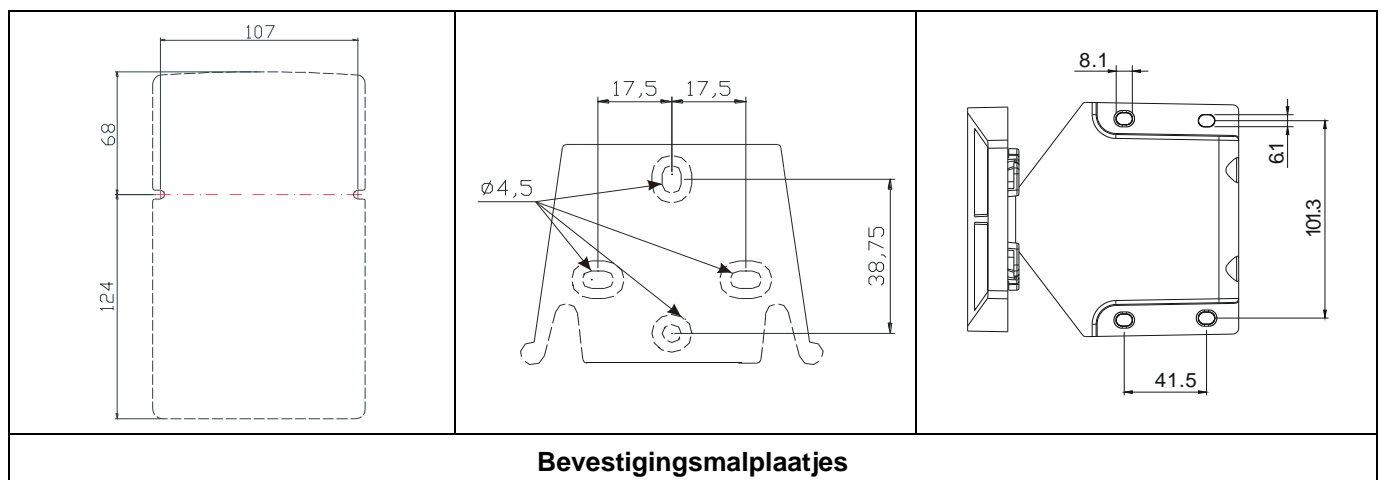
**Opmerking:** Voor de technische kenmerken van de pomp zie het label.

Lees de volgende opmerkingen voordat u de pomp installeert of onderhoudt:

1. Alle pompen worden getest met water. Bij het doseren van chemische stoffen, die met water kunnen reageren, maak alle inwendige delen van de leidingen grondig.
2. Installeer de pomp in een zone waar de omgevingstemperatuur niet meer dan 40°C en de relatieve vochtigheid lager dan 90% is. De pomp heeft een IP65 beschermingsgraad. Vermijd bij het installeren van de pomp rechtstreekse blootstelling aan zonlicht.
3. Installeer de pomp zodanig dat inspectie-en onderhoudswerkzaamheden eenvoudig uit te voeren zijn, zet vervolgens de pomp stevig vast om trillingen te voorkomen.
4. Controleer of de beschikbare stroomvoorziening van het netwerk compatibel is met hetgeen op het etiket van de pomp is aangegeven.
5. Als u in onder druk geplaatste leidingen injecteert, zorg er altijd voor dat de systeemdruk niet hoger is dan de maximale werkdruk, dat op het etiket van de doseerpomp is aangegeven, voordat u de pomp gaat opstarten.

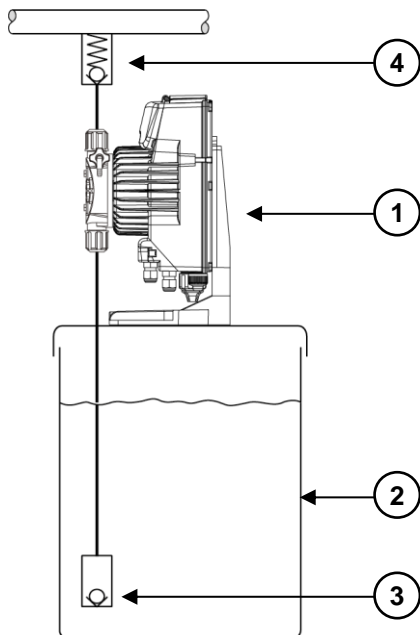
### 4 Installatie

De pomp moet op een stabiel, vlak, horizontaal oppervlak worden geïnstalleerd.



## 4.1 Aanbevelingen voor de installatie van de pomp

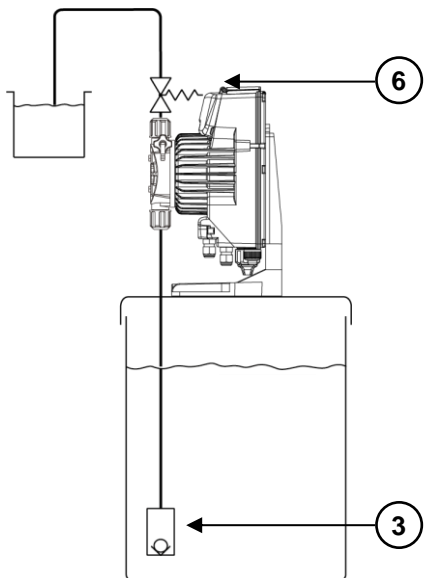
### 4.1.1 Standaard installatie



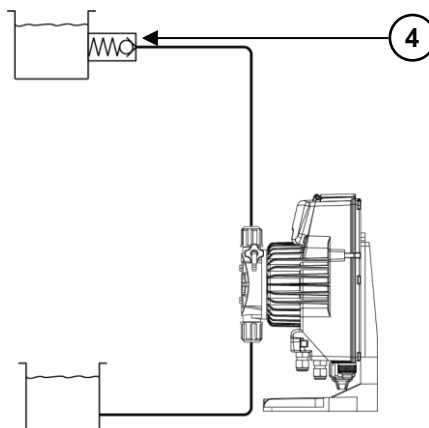
Beschrijving	
1	Doseerpomp
2	Tank
3	Voetfilter met kogel terugslagklep
4	Injectieklep
5	Injectieklep met verstevigde veer
6	Multifunctionele klep
7	Tegendrukklep (installatie afvoerlijn)
8	Pulsatiedempers
9	Aftapkraan
10	Ontluchtingsklep
11	Isolatieklep

### 4.1.2 Atmosferische afvoer

#### 4.1.2.1 Atmosferische afvoer en lage kop

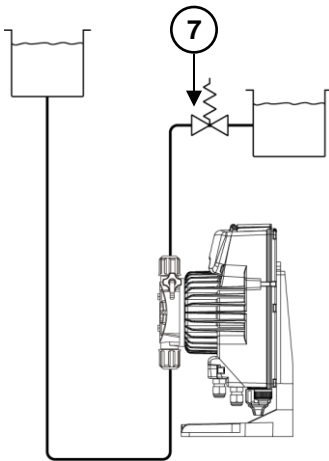


#### 4.1.2.2 Atmosferische afvoer en brede kop

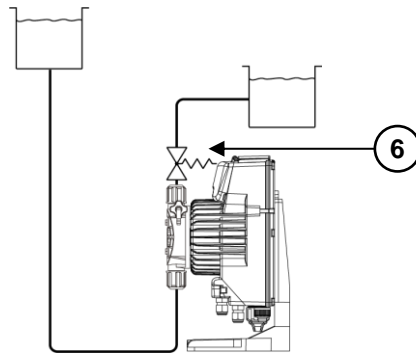


### 4.1.3 Met tegendruk

#### 4.1.3.1 Tegendruk op de zuigzijde en brede afvoerkop

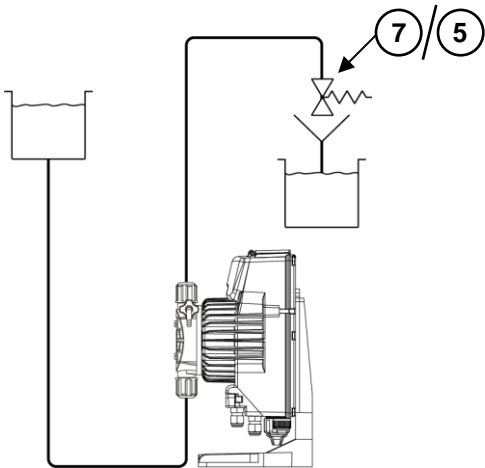


#### 4.1.3.2 Tegendruk op de zuigzijde en lage afvoerkop

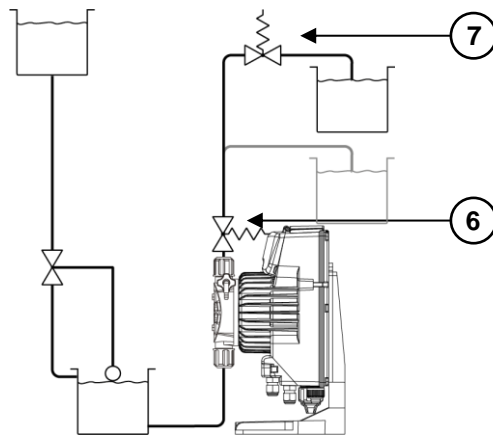


### 4.1.4 Met veilige overhevelingspreventie

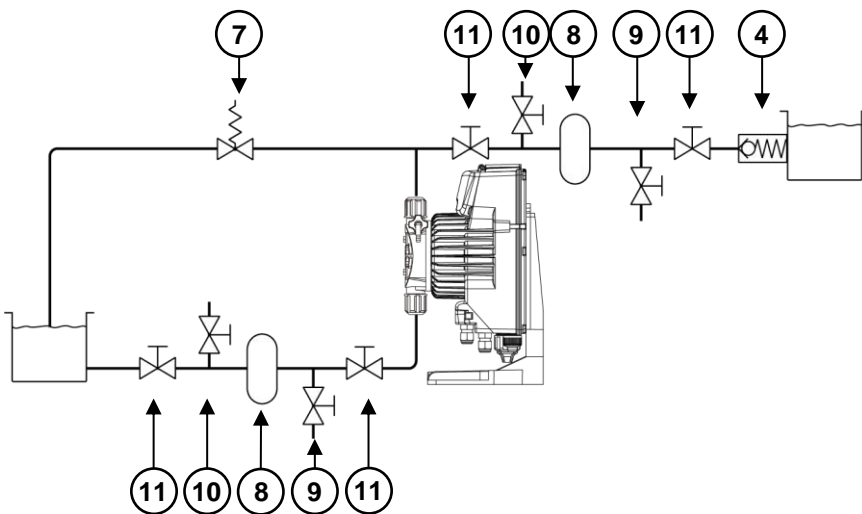
#### 4.1.4.1 Installatie om gevaarlijke media veilig over te hevelen



#### 4.1.4.2 Installatie om gevaarlijke media veilig over te hevelen

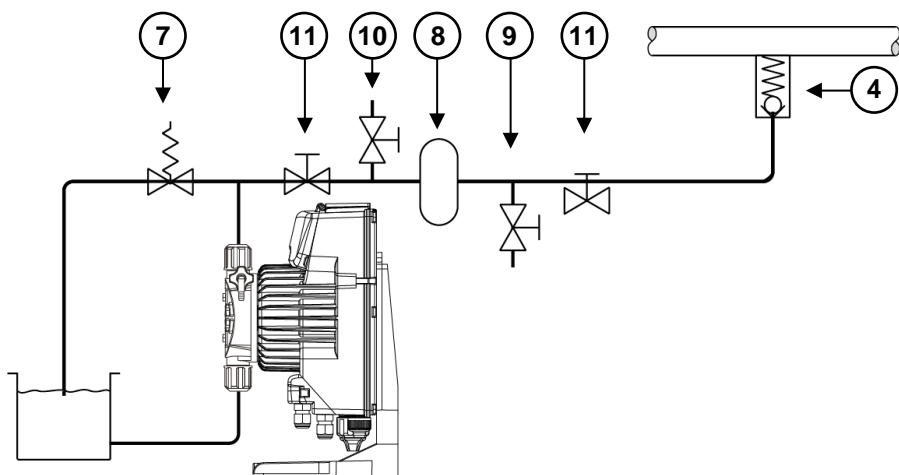


### 4.1.5 Met lange zuig- of afvoerlijnen

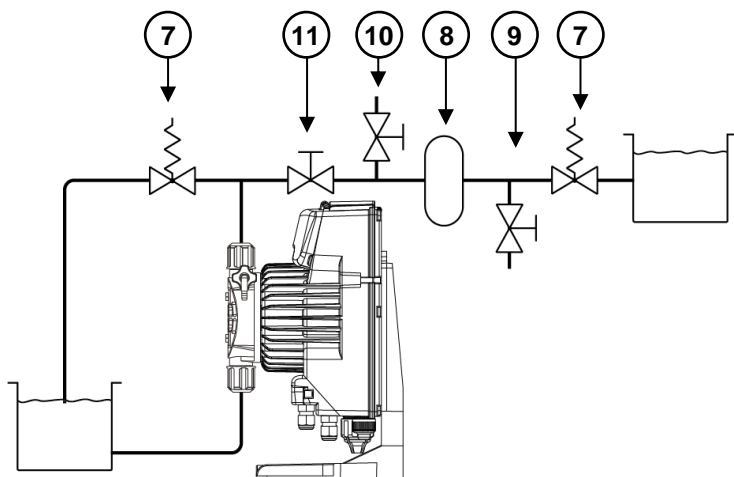


## 4.1.6 Voor pulsatievrije dosering

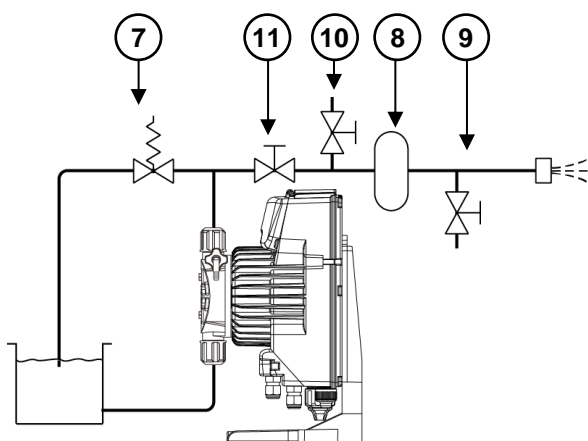
### 4.1.6.1 In afvoerlijnen



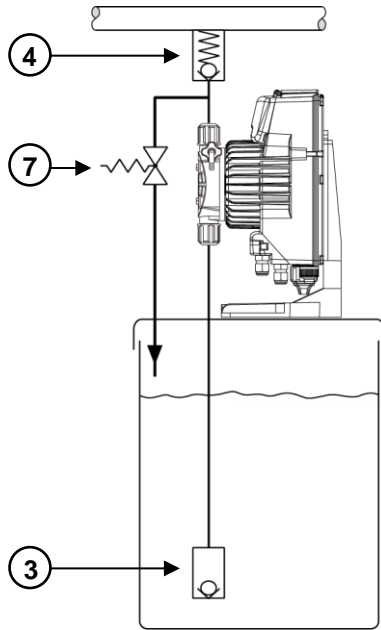
### 4.1.6.2 In een atmosferisch systeem



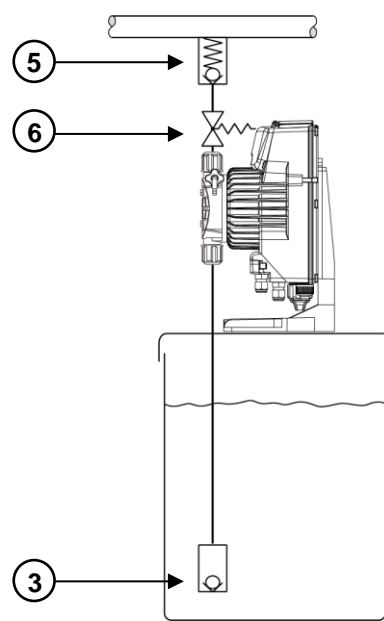
### 4.1.6.3 Zonder overaanvoer



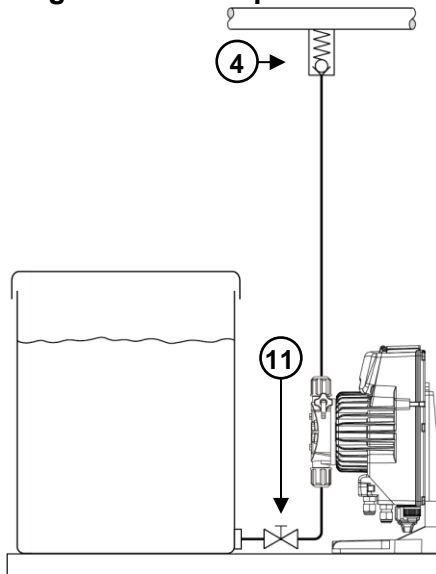
#### 4.1.7 Om tegen overdruk te beschermen



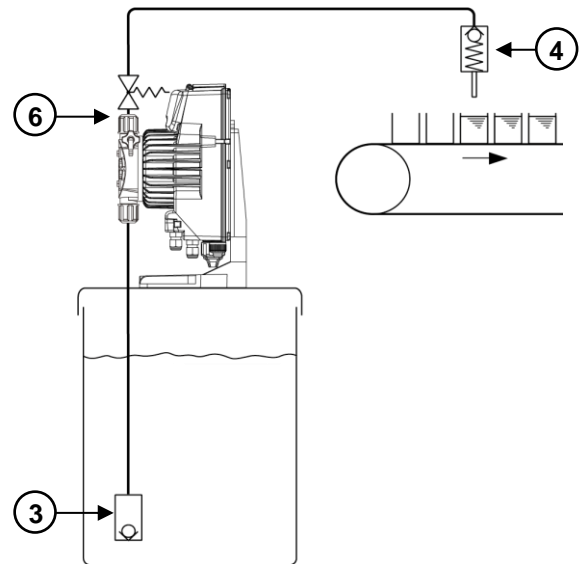
#### 4.1.8 Dosering in vacuüm



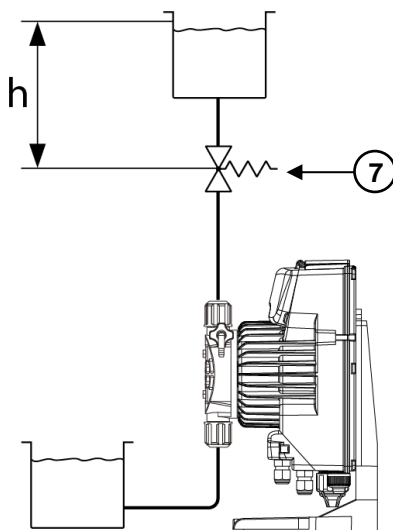
#### 4.1.9 Met media die de neiging hebben rookgassen en dampen uit te stoten



#### 4.1.10 Individuele dosering pulstype



#### 4.1.11 Correcte positionering van de tegendrukklep



Berekening van de max. toelaatbare hoogte  $h_{max}$  boven de tegendrukklep:

$$h_{max} \leq \frac{P \times 14.3}{\text{Rho} \times g}$$

$h_{max}$  = Max. lijnhoogte (m)

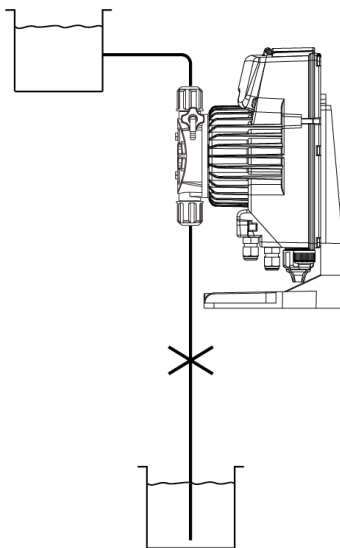
P = set voorspanningsdruk (bar)

g = zwaartekrachtconstante (10 m/s<sup>2</sup>)

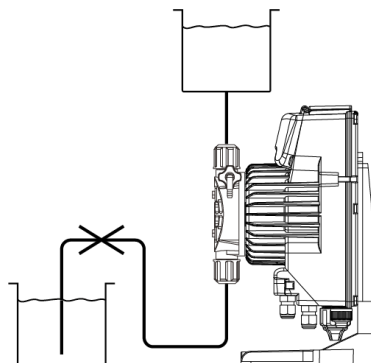
Rho = densiteit van het aan te voeren medium (kg/dm<sup>3</sup>)

## 4.2 Verkeerde pompinstallaties

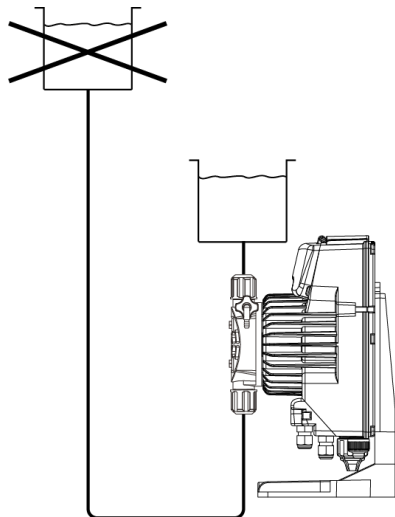
### 4.2.1 Zuiglijn te hoog



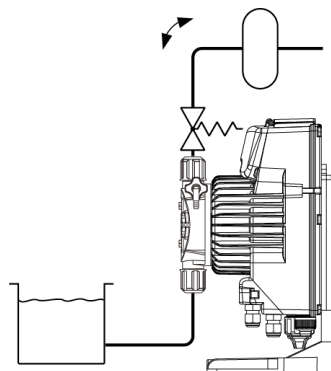
### 4.2.2 Vrije stroom, media worden door de pomp gevoed met zwaartekracht



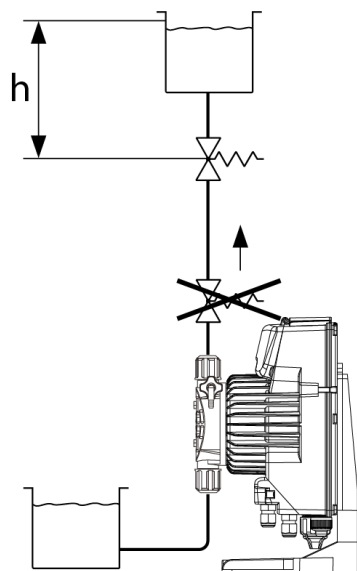
### 4.2.3 Zuiglijn kan niet ontlucht worden



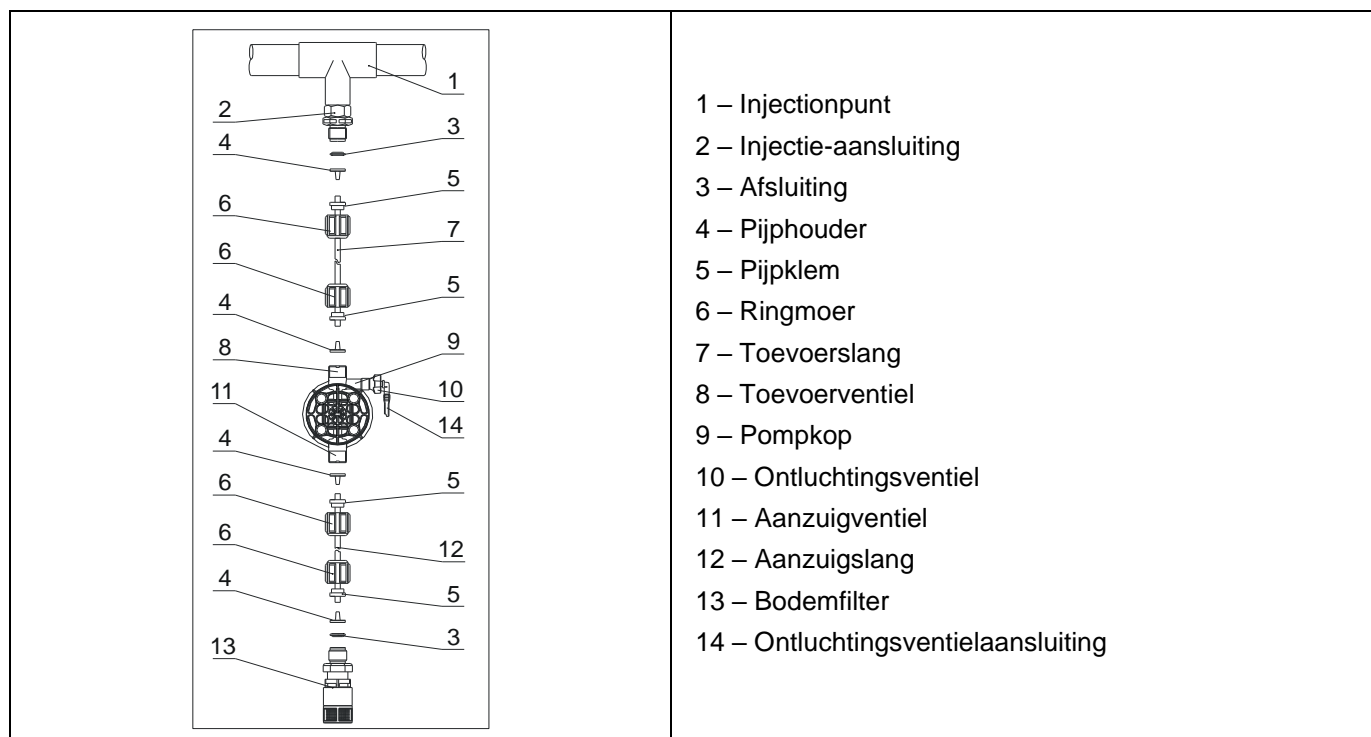
### 4.2.4 Accumulator niet effectief



### 4.2.5 Verkeerde stand van de tegendrukklep



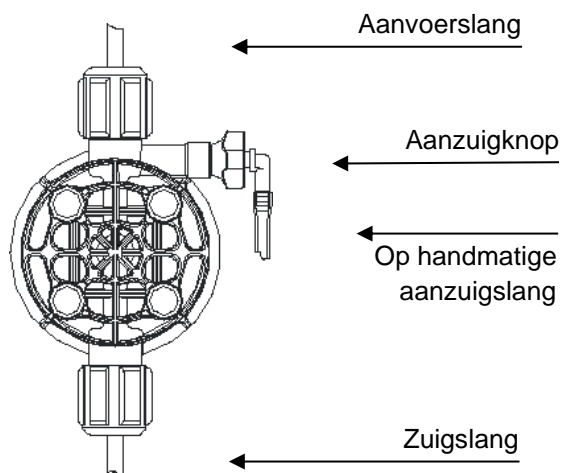
## 4.3 Leidingbuizen



### 4.3.1 Aanzuigslang

Steek één kant van de aanzuigslang in de afvoerconnector. Steek de andere kant van de aanzuigslang in de producttank.

Tijdens de aanzuigprocedure stroomt productoverschot in de tank.



Model pompkop handmatige aanzuiging,  
 aansluitingen PVDF-pompkop

De aanzuigslang mag licht gebogen worden.



Steek tijdens de kalibratieprocedure ("TEST") de aanzuigslang in de BECKER test-buis.



Zuig- en aanvoerkleppen moeten in de verticale stand staan

### 4.3.2 Zuiging pomp



De zuigleidingen moeten zo kort mogelijk zijn en in verticale positie worden geïnstalleerd om te voorkomen dat er luchtballen worden aangezogen.

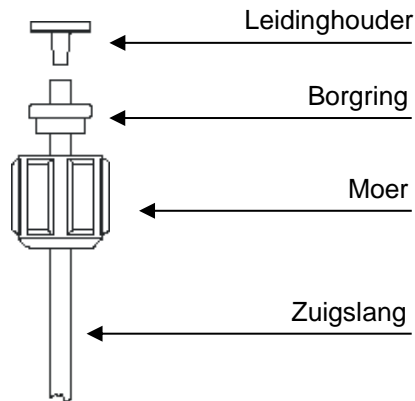
Schroef de spanmoer helemaal los van de pompkop en verwijder de montage-elementen: spanmoer, borgring en leidinghouder.

Steek de slang in de leidinghouder tot hij de bodem bereikt. Vergrendel de slang op de pompkop door de spanmoer vast te schroeven.



**Draai de moeren stevig vast met de hand.**

Gebruik geen tangen of ander gereedschap.

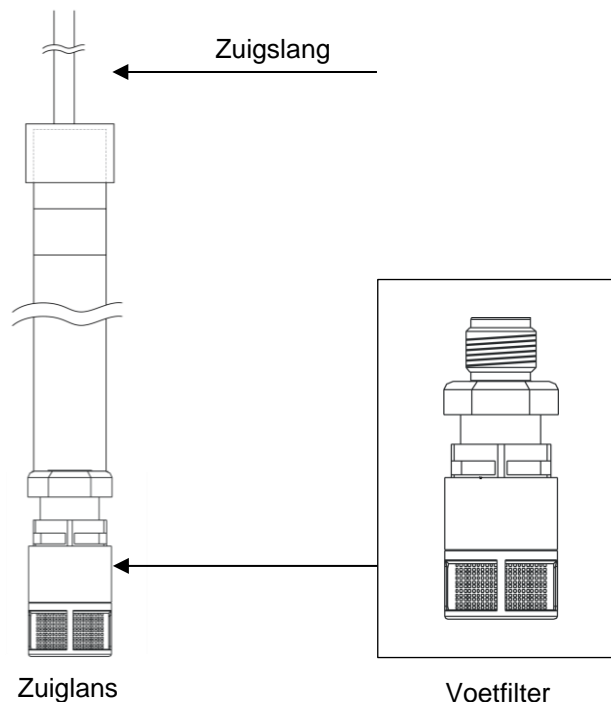


Zuigslang montage

#### Installatie voetfilter

De niveausonde wordt gemonteerd met een voetfilter dat problemen met het aanzuigen van sedimenten voorkomt.

Installeer de niveausonde op de bodem van de tank.



**Waarschuwing: Als er een mixer in de tank is geïnstalleerd, dan moet u een zuigslans in plaats van een niveausonde / voetfilter installeren.**



### 4.3.3 Aanvoer pomp



**De aanvoerslang moet stevig worden vastgemaakt om onverwachte bewegingen te voorkomen waardoor voorwerpen in de buurt kunnen beschadigen**

Schroef de spanmoer helemaal los van de pompkop en verwijder de montage-elementen: spanmoer, borgring en leidinghouder.

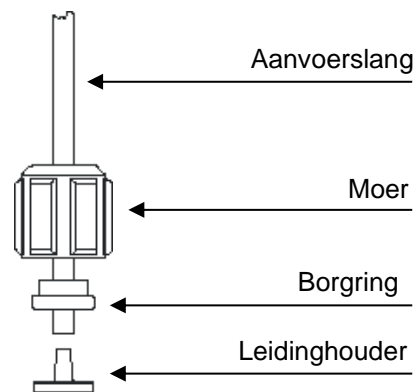
Steek de slang in de leidinghouder tot hij de bodem bereikt. Vergrendel de slang op de pompkop door de spanmoer vast te schroeven.



**Draai de moeren stevig vast met de hand.**

Sluit met behulp van dezelfde procedure het andere einde van de slang op de injectieklep aan.

Sluit met behulp van dezelfde procedure het andere einde van de slang op de injectieklep aan.



Montage aanvoerslang

#### Injectiefitting

De injectiefitting moet op de installatie worden geïnstalleerd vanaf de waterinlaat.

De injectiefitting gaat open bij een druk die hoger is dan 0,3 bar.

### 4.4 Bedrading

	<p>Ingang A = Voedingseenheid</p> <p>Ingang B = Niveau</p>	<p>De pomp moet worden aangesloten op een voedingseenheid die overeenstemt met hetgeen aangegeven op het etiket op de zijkant van de pomp. Door geen rekening te houden met deze limieten kan schade aan de pomp zelf veroorzaken.</p> <p>De pompen zijn ontworpen om kleine overspanningen op te vangen. Zorg ervoor dat de pomp geen voedingsbron deelt met elektrische apparaten, die hoge spanningen genereren, teneinde te voorkomen dat de pomp beschadigd wordt.</p> <p><b>Aansluiting met de drie-fasen 380V-lijn moet alleen worden gemaakt tussen fase en neutraal. Aansluitingen mogen niet worden gemaakt tussen fase en aarde.</b></p>
--	--	---

## 4.5 Notes

Na ongeveer 800 uur werk, draai de bouten in het pomplichaam, het aanbrengen van een aandraaimoment van 4 Nm.

Bij het maken van de leidingaansluitingen, zorg ervoor dat u de onderstaande instructies volgt:

- De **BODEMFILTER** moet zodanig worden geïnstalleerd, dat deze 5-10 cm van de bodem is gepositioneerd om eventuele afzettingen te voorkomen, die het hydraulische gedeelte van de pomp kunnen blokkeren en beschadigen
- De pompen worden standaard met inlaat- en uitlaat pijp geleverd, die aangepast is aan de sanitaire kenmerken van de pomp. Als u langere leidingen wilt gebruiken, is het belangrijk dat de pijpen dezelfde afmetingen hebben als de met de pomp meegeleverde pijpen.
- Voor externe toepassingen, waarbij de toevoerpijp blootgesteld wordt aan zonnestralen, raden we aan om een zwarte pijp te gebruiken, die ultraviolette straling kan weerstaan;
- Het is raadzaam om het **INJECTIEPUNT** hoger dan de pomp of tank te positioneren;
- Het **INJECTIEVENTIELI**, geleverd bij de pomp, moet altijd aan het eind van de dosering doorstroming toevoerleiding worden geïnstalleerd.

## 4.6 Voorzorgsmaatregelen bij het gebruik

De bedrijfsspanning van de elektromagnetische pomp is 100 - 240V, 50/60Hz. De pompen zijn ontworpen om lichte overspanning te absorberen. Daarom, om schade aan de pomp te voorkomen, verdient het altijd de voorkeur ervoor te zorgen dat de pomp geen stroombron deelt met elektrische apparaten die hoge spanningen genereren.

Om het risico op elektrische schokken te beperken, moet het stopcontact van de doseerpomp goed geaard zijn. Scheid de aarddraad van de nuldraad en bedek de pompkoppen met kappen.

Het is absoluut verboden de pomp langdurig (maximaal 3 minuten) zonder vloeistof te laten werken.

Voordat chemische producten gedoseerd worden die op water kunnen reageren (bijv. zwavelzuur) moeten alle interne delen van het pomphuis grondig gedroogd zijn (wij herinneren u eraan dat op het moment van levering een beetje water in de pompkop zit).

De doseerpomp kan niet gebruikt worden in omstandigheden die de maximale nominale druk overschrijden. De nominale drukwaarde staat op het typeplaatje van de doseerpomp, en de eenheid is bar (1 bar = 1-kilogram kracht/cm<sup>2</sup> = 10-meter waterkolom). Als de nominale druk overschreden wordt, kan de pomp beschadigd worden.

De omgevingstemperatuur op de locatie van de pompinstallatie mag de 40°C niet overschrijden en de relatieve vochtigheid mag niet hoger zijn dan 90%; de pomp mag niet geïnstalleerd worden op een plaats die blootgesteld is aan de zon of slecht weer.

Kies een installatiepositie die praktisch is voor het onderhoud aan de pomp en zet hem stevig vast om trillingen te voorkomen. De pomp moet geïnstalleerd worden op een horizontaal vlak.

Wees er zeker van dat de zuiglijn en de perslijn correct geïnstalleerd zijn en dat de persklep niet met de zuigklep verwisseld is.

Houd de zuig-/perskleppen schoon.

Wanneer de zuig- en perskleppen gereinigd worden, moeten ze zorgvuldig gedemonteerd en opnieuw gemonteerd worden. Het ontbreken van ongeacht welk onderdeel van de klep zal van invloed zijn op de prestaties ervan.

De geleverde slangen, de voetklep en de injectieklep moeten samen gebruikt worden om een nauwkeurige dosering te verzekeren.

Als de omstandigheden het toelaten moet een veiligheidsklep geïnstalleerd worden om schade aan de pomp als gevolg van een blokkering te voorkomen.

Haal de moer voor de leidingverbinding met de hand aan en gebruik geen gereedschappen.

### Verbinding van de inlaat- en uitlaatslangen

Gebruik de geleverde buishouder en buisklem; haal de bevestigingsmoer aan om lekken van vloeistoffen uit de leiding te voorkomen, wat een slechte werking van de pomp kan veroorzaken. Controleer regelmatig de staat van de slang. Bij een verslechtering van de slangverbinding moet de slang worden vervangen of moet het verouderde deel afgesneden worden en de slangverbinding opnieuw worden aangehaald.

## **Handmatige aanzuiging**

De aanzuigklep bevindt zich rechts van de doseerpomp. Open de klep tijdens de aanzuiging en sluit hem opnieuw nadat het gas is afgevoerd. De uitlaat van de aanzuigklep moet ook aangesloten zijn op een slang voor de afvoer van het gas-vloeistofmengsel, ter voorkoming van druppelen op de pompkop met corrosie van de bout als gevolg.

De perslijndruk moet hoger zijn dan de druk van de zuiglijn, anders kan een sifonwerking ontstaan.

Na 800 uur werking moeten de bevestigingsbouten van het pomphuis opnieuw aangehaald worden op 4 Nm.

## **4.7 Het opstarten**

Nadat alle voornoemde bewerkingen zijn voltooid, is de pomp gereed om opgestart te worden.

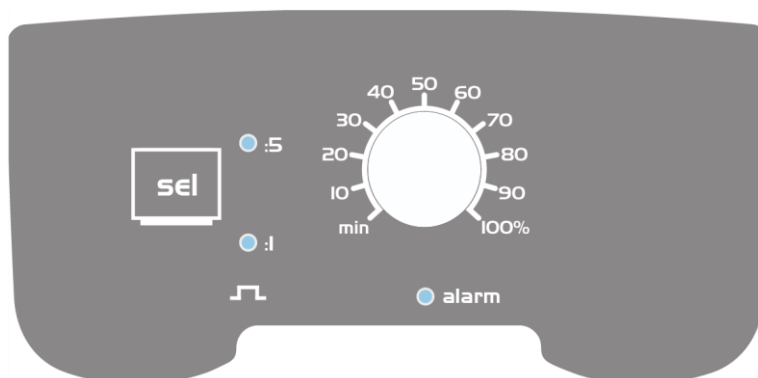
## **4.8 Priming**

- Start de pomp
- Maak de primingaansluiting open door de knop tegen de klok in te draaien en wacht op de vloeistof, die uit de aangesloten pijp gaat komen.

Zodra u zeker bent dat de pomp helemaal vol is met vloeistof, kunt u de aansluiting sluiten en de pomp begint te doseren.

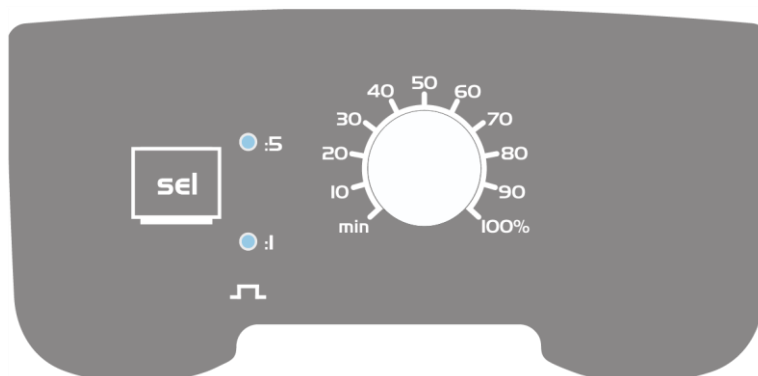
## 5 Controlepaneel

### Tekna AKL



	Debiet % regulator potentiometer
	Maximale frequentie selector
	Maximale snelheid (:5) en dosering impuls LED
	Maximale frequentie en dosering puls LED
	Niveau sonde alarm LED

### Tekna AKS



	Debiet % regulator potentiometer
	Maximale frequentie selector
	Maximale snelheid (:5) en dosering impuls LED
	Maximale frequentie en dosering puls LED

## 6 Alarm (Tekna AKL)

Toten	Oorzaak	Onderbreking
Vast alarm LED	Niveau sonde alarm (vloeibaar uitgeput in de tank)	Herstel het vloeistofniveau.

## 7 Het oplossen van problemen

Probleem	Mogelijke oorzaak	Oplossing
De pomp werkt goed, maar de dosering wordt onderbroken	Ventiel blokkade	Reinig de ventielen of vervang ze, indien het niet mogelijk is om de ophopingen te verwijderen.
	Overmatige aanzuighoogte	Plaats de pomp of reservoir teneinde de aanzuighoogte te verlagen (pomp onder water hoofd).
	Overmatig kleverige vloeistof	Verlaag de aanzuighoogte of gebruik een pomp met een grotere doorstromingscapaciteit
Onvoldoende doorstromingscapaciteit	Ventielekkage	Controleer of de ringmoeren goed zijn aangedraaid.
	Overmatig kleverige vloeistof	Gebruik een pomp met een grotere doorstromingscapaciteit of verlaag de aanzuighoogte (pomp onder waterhoofd).
	Gedeeltelijke ventiel blokkade	Reinig de ventielen of vervang ze, indien het niet mogelijk is om de ophopingen te verwijderen.
Overmatige of onregelmatige pomp doorstromingscapaciteit	Sifon-effect bij toevoer	Controleer de installatie van het injectieventiel. Plaats een terugslagventiel als het onvoldoende is.
	Transparente PVC-pijp bij toevoer	Gebruik een ondoorzichtige PE-pijp bij toevoer
	De pomp is niet goed gekalibreerd	Controleer de doorstromingscapaciteit van de pomp ten opzichte van de systeemdruk.
Gebroken diafragma	Overmatige tegendruk	Controleer de systeemdruk. Controleer of het injectieventiel verstopt is. Controleer of er geen blokkades tussen de toevoerventielen en de injectiepunten aanwezig zijn.
	Werking zonder vloeistof	Controleer de aanwezigheid van de bodemfilter (ventiel). Gebruik een niveau-sonde die de pomp gaat stoppen wanneer het chemisch product in de tank leeg is.
	Membraan is niet goed beveiligd	Als het membraan is vervangen, zorg ervoor dat het goed vast is gemaakt.
De pomp wordt niet ingeschakeld	Onvoldoende stroomtoevoer	Controleer of de plaatgegevens van de pomp overeenkomen met die van het elektriciteitsnet.

## 8 Onderhoud

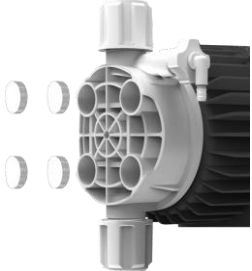


### 8.1 Voorzorgsmaatregelen

- Alvorens onderhoud aan de pomp uit te voeren, moeten alle elektrische aansluitingen worden losgekoppeld.
- Laat alle druk uit de pomp en tap de leidingen af in het deel waar onderhoud is vereist
- Draag tijdens de uitvoering van de werkzaamheden altijd de vereiste veiligheidsuitrusting.
- Loos geen vervuilende stoffen, zoals verpompte chemicaliën, hydraulische vloeistof en smeerolie in het milieu
- Lees zorgvuldig de technische specificaties van de gedoseerde en behandelde vloeistoffen, om bewust te zijn van de risico's en de acties die ondernomen moeten worden in het geval van onbedoeld contact met een gevaarlijke vloeistof.

### 8.2 Pompkop

**Laat de pomp niet draaien zonder procesvloeistof. Demonteer de pompkop minstens elk halfjaar en voer de hieronder beschreven werkzaamheden uit:**

- Koppel de zuig- en afvoerleidingen los
- Tap de procesvloeistof uit de pompkop en leidingen
- Demonteer de pompkop volgens deze stappen:

<p>a) Verwijder de 4 doppen om bij de bouten te komen</p> <p>b) Schroef de bouten waarmee de pompkop aan het mechanisme bevestigd is los</p>	
<p>c) Verwijder de pompkop en was grondig de zuig- en afvoerkleppen</p> <p>d) Controleer de pakking op slijtage; vervang het indien nodig</p>	
<p>e) Inspecteer het membraan op tekenen van slijtage</p>	

- Zet de pompkop er weer op en schroef de bouten vast
- Plaats de doppen over de boutopeningen

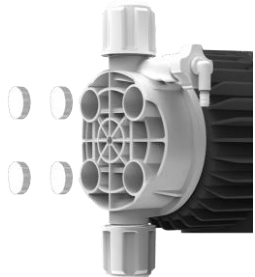

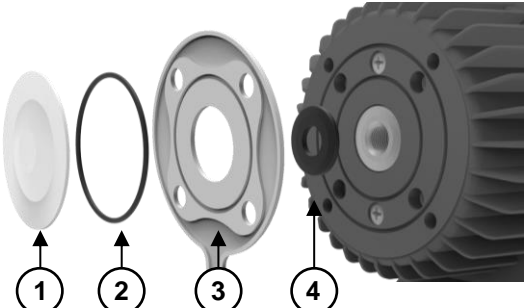




**Haal de bouten in het pomphuis aan met een aanhaalkoppel van 4 Nm**

### 8.3 Vervanging membraan

Als er sprake is lekkage in de zone van de pompkop, voer na het voltooien van de onderhoudsprocedure van de pompkop, de procedure voor het vervangen van het membraan uit:

- Koppel de zuig- en afvoerleidingen los, tap de procesvloeistof uit de pompkop en leidingen
- Demonteer de pompkop en het membraan volgens deze stappen:

<p>a) Verwijder de 4 doppen om bij de bouten te komen</p> <p>b) Schroef de bouten waarmee de pompkop aan het mechanisme bevestigd is los</p> <p>c) Verwijder de pompkop</p>	
<p>d) Verwijder het membraan (witte PVDF-schijf) door het uit zijn behuizing los te schroeven</p>	
<p>e) Inspecteer alle onderdelen op tekenen van slijtage: membraan (1), membraanpakking (2), grote anti-lekschijf (3) en kleine anti-lekschijf (4)</p> <p>f) Vervang alle defecte onderdelen</p>	
<p>g) De grote anti-lekschijf moet worden geïnstalleerd met het kleine groefgedeelte op de bodem van het pomphuis geplaatst en van de magneetklep afgekeerd, met de 4 gaten die overeenkomen met de schroefgaten van de pompbehuizing.</p> <p>h) De kleine anti-lekschijf moet in het midden van de grotere schijf, op de bovenkant van de zuiger van de magneetklep worden geplaatst.</p>	
<p>i) Schroef het membraan op de zuiger van de magneetklep</p> <p>j) Plaats de 4 meegeleverde afdichtingen in de gaten, let daarbij op de richting: het kortere einde moet op de bodem van het gat worden geplaatst</p>	

- Monteer de pompkop er weer op, bevestig de bouten en plaats de doppen terug over de boutopeningen

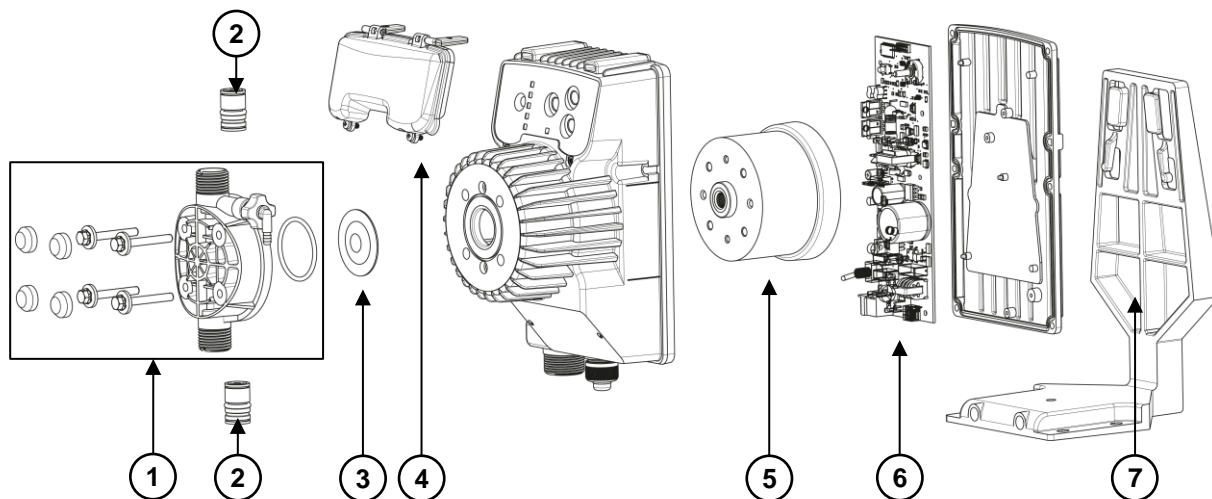


**Haal de bouten in het pomphuis aan met een aanhaalkoppel van 4 Nm**

## 8.4 Explosietekening reserveonderdelen

Om gewoon onderhoud te kunnen uitvoeren en mogelijke tijdverspilling te voorkomen, wordt aangeraden een kleine levering van de volgende reserveonderdelen op voorraad te hebben:

- Zuigklep compleet
- Afvoerklep compleet
- Complete pompkop
- Membraan, anti-lekschijven en dichtingen



1	Pompkop
2	Kleppen
3	Membraan
4	Dekking van het controlegebied

5	Solenoide
6	Moederbord
7	Basissteun

### OPMERKING



Vermeld bij het bestellen van reserveonderdelen altijd het model en serienummer van de pomp.

## 8.5 Richtlijnen voor het weggooien

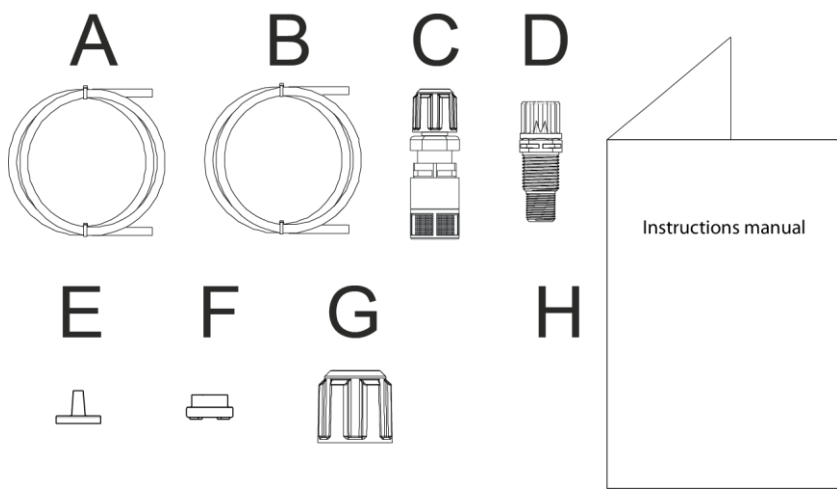
Gooi elektronische of giftige materialen weg in overeenstemming met de toepasselijke regelgeving, die per land verschilt.

In de meeste landen mogen de elektronische of giftige materialen niet zelf worden weggegooid en wordt de eindgebruikers verzocht ze op de juiste wijze weg te gooien, eventueel via non-profitorganisaties, verplicht gesteld door de plaatselijke overheid of op vrijwillige basis georganiseerd door professionals.

Afleveren bij erkende recyclingbedrijven, eventueel via een erkend afvaltransportbedrijf.



## 1 Conteúdo da embalagem



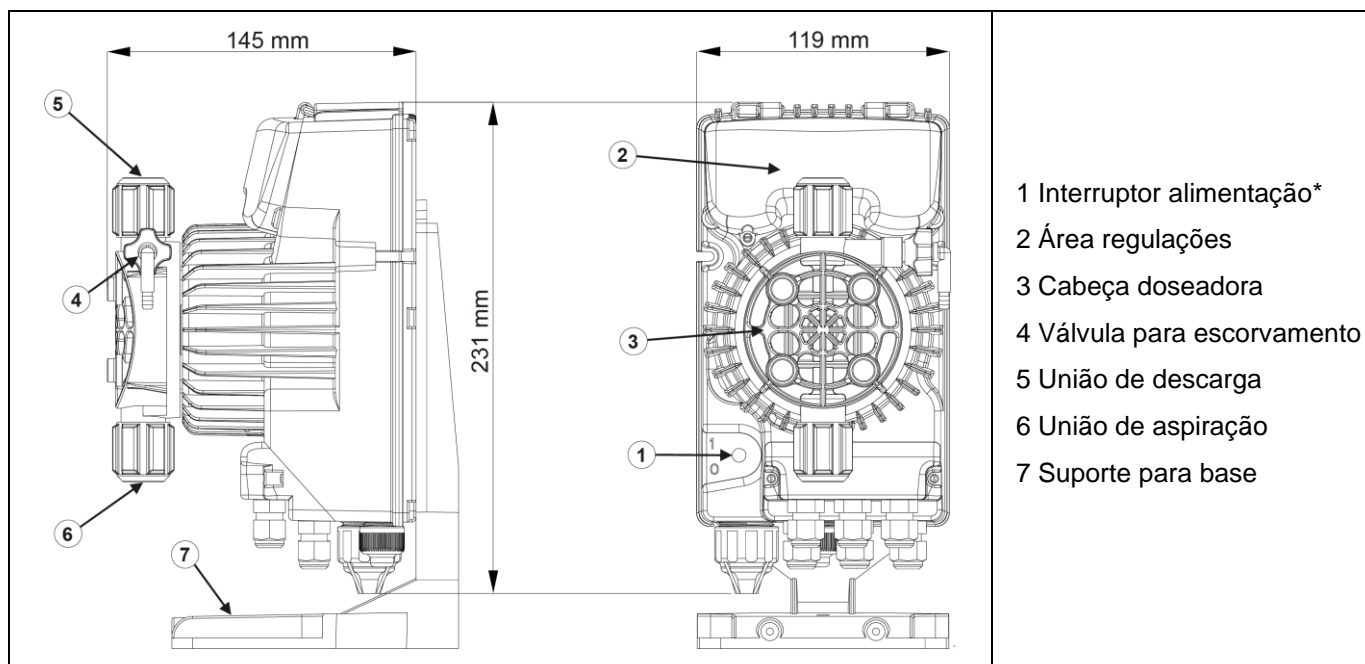



## 2 Introdução



**PARA TODA AS CARACTERÍSTICAS HIDRAULICAS ESPECIFICAS VER A ETIQUETA NA BOMBA**

A bomba doseadora é composta por uma zona de comando que aloja a electrónica e o ímã, e por uma parte hidráulica sempre em contacto com o líquido a ser doseado.



\* Em alguns modelos , a chave não está presente. Para este tipo de bombas, mantendo pressionada **sel** por pelo menos 5 segundos, a bomba irá parar de funcionar e todos os LEDs vão piscar para indicar o seu estado; neste estado, a bomba não está a dosear.

Pressionando novamente **sel** , a bomba retorna a seu estado de funcionamento.

Aconselhamos que verifique a compatibilidade química entre o produto doseado e os materiais em contacto.

## PRECAUÇÕES!

Leia atentamente as seguintes precauções antes de proceder à instalação ou manutenção da bomba.

**Atenção!** Recomendamos a instalação da bomba na posição vertical para garantir o seu correto funcionamento.

**Atenção!** Produto dirigido a uso profissional, por pessoas qualificadas.

**Atenção!** Desligue sempre a alimentação e siga as indicações de segurança relativas ao produto doseado

### 3 Características técnicas

**Materiais que compõem a cabeça da bomba:**

- **Corpo bomba:** PVDF
- **Válvulas:** PVDF
- **Esferas:** Cerâmica
- **Membrana:** PTFE
- **O-Ring:** FKM-B/EPDM

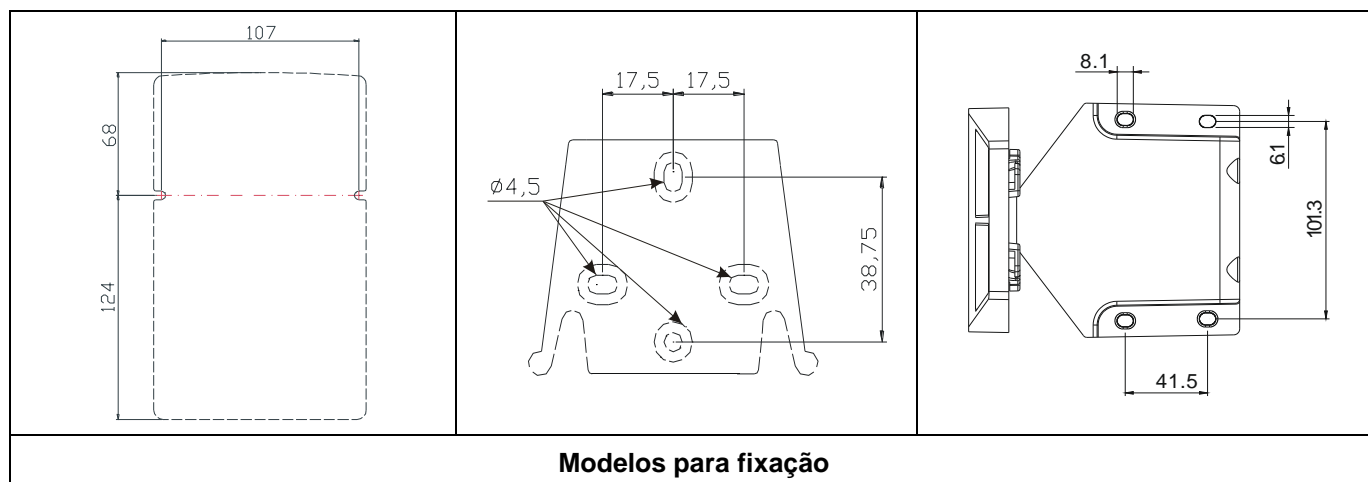
**Nota:** Verifique os dados da placa as características principais da sua bomba.

**Leia atentamente as seguintes precauções antes de proceder à instalação ou manutenção da bomba:**

1. Antes de dosear produtos químicos que possam reagir com a água, deverá secar todas as partes internas do sistema hidráulico.
2. Temperatura ambiente inferior aos 40°C. Humidade relativa inferior a 90%. Grau de protecção IP65. Não exponha a bomba aos raios do sol.
3. Fixar firmemente a bomba para evitar vibrações excessivas.
4. A tensão de alimentação e a pressão da instalação deverão ser compatíveis com tudo o indicado no rótulo da bomba.

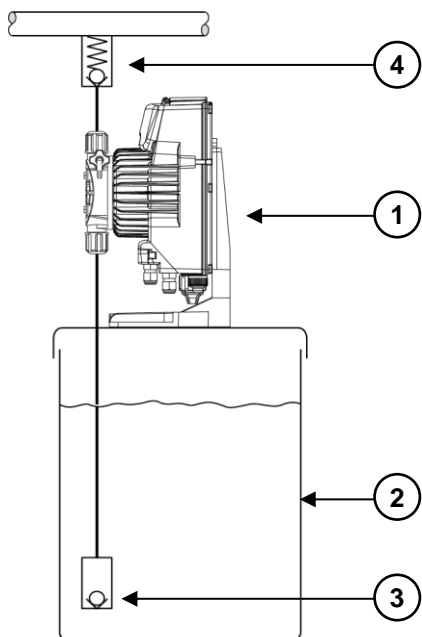
### 4 Instalação

A bomba deve ser instalada em uma superfície horizontal plana e estável.



## 4.1 Sugestões para sugestão da bomba

### 4.1.1 Instalação padrão

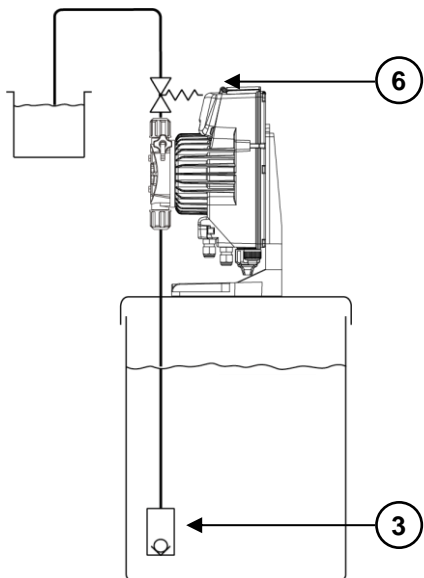


#### Descrição

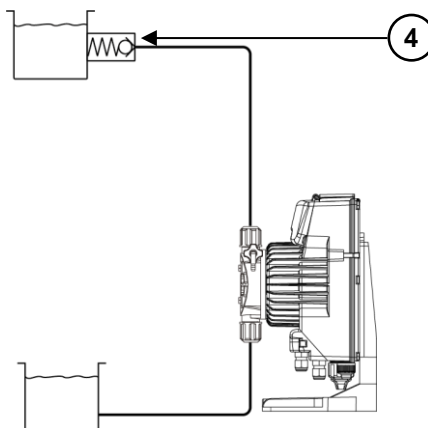
1	Bomba de mensuração
2	Tanque
3	Filtro de pé com válvulas de esfera de controlo
4	Válvula de injeção
5	Válvula de injeção com mola reforçada
6	Válvula multifunção
7	Válvula de contrapressão (instalação da linha de descarga)
8	Pulsção humidificação
9	Válvula de dreno
10	Válvula de sangria
11	Válvula de isolamento

### 4.1.2 Descarga atmosférica

#### 4.1.2.1 Descarga atmosférica e cabeça baixa

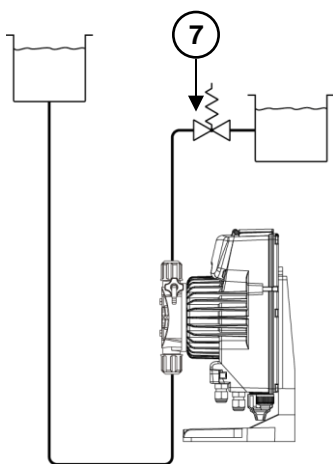


#### 4.1.2.2 Descarga atmosférica e cabeça larga

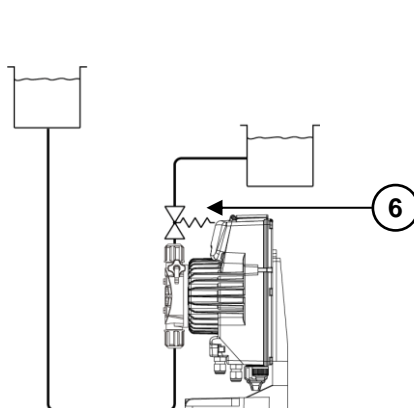


### 4.1.3 Com contrapressão

4.1.3.1 Contrapressão no lado sucção e cabeça de descarga longa

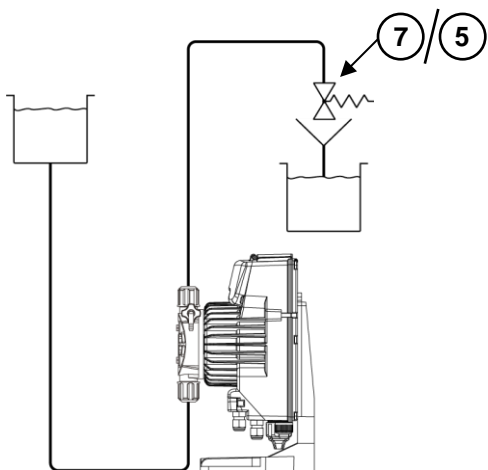


4.1.3.2 Contrapressão no lado sucção e cabeça de descarga baixa

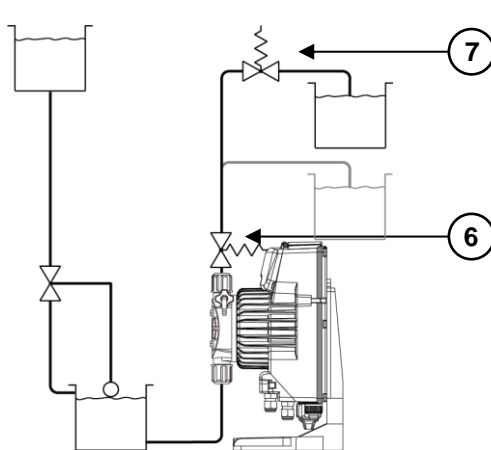


### 4.1.4 Com prevenção de segurança do sifão

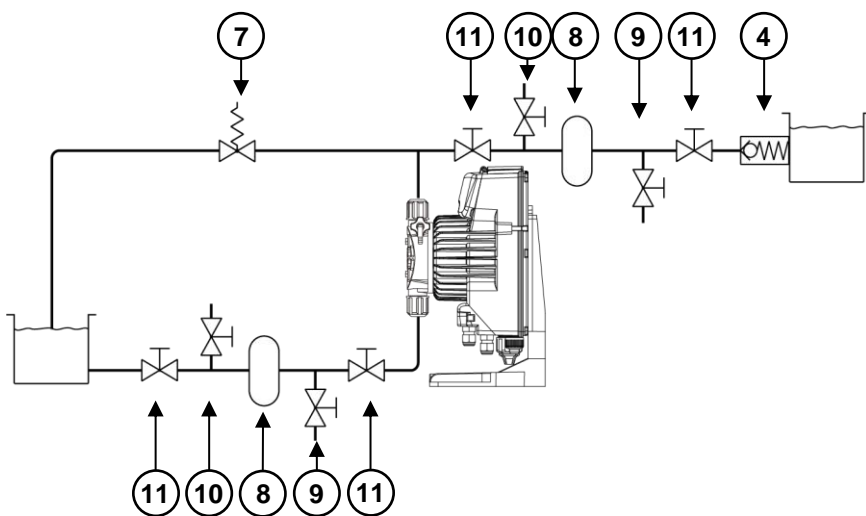
4.1.4.1 Instalação para prevenir danos ao sifão



4.1.4.2 Instalação para prevenir danos ao sifão

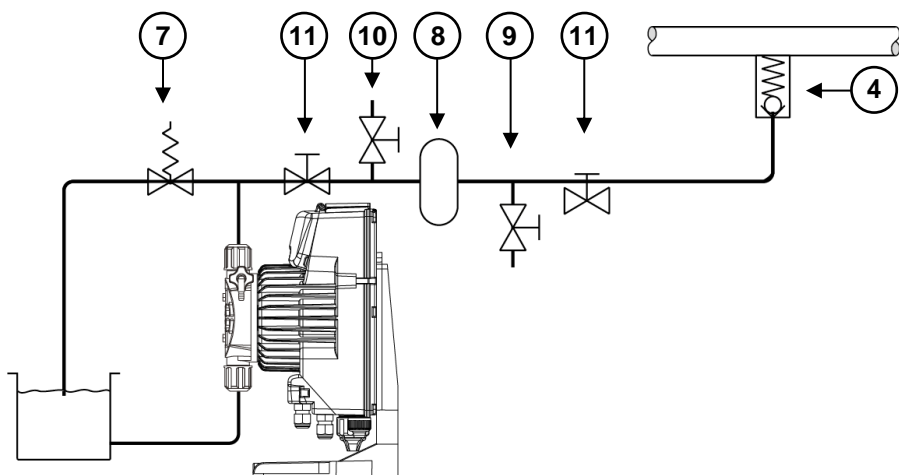


### 4.1.5 Com linhas de descarga ou de sucção longa

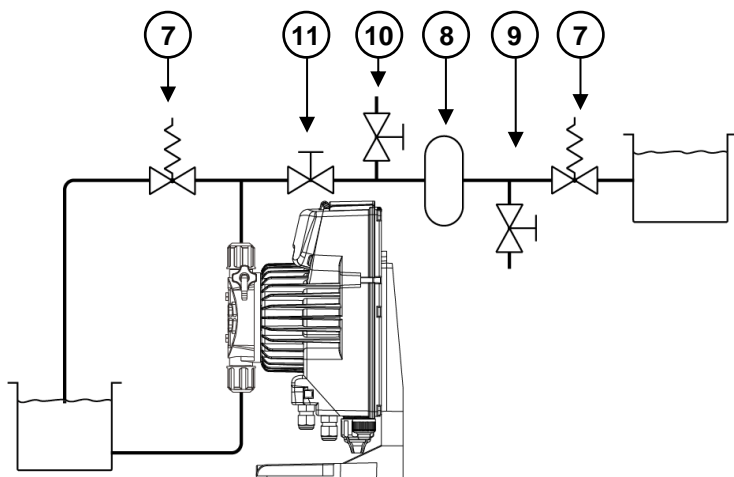


#### 4.1.6 Para a mensuração sem pulsação

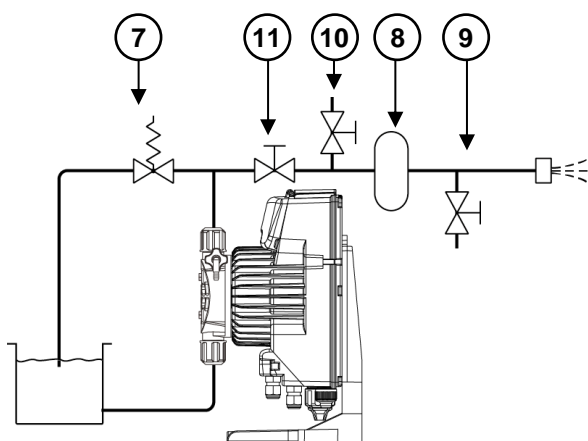
##### 4.1.6.1 Nas linhas de descarga



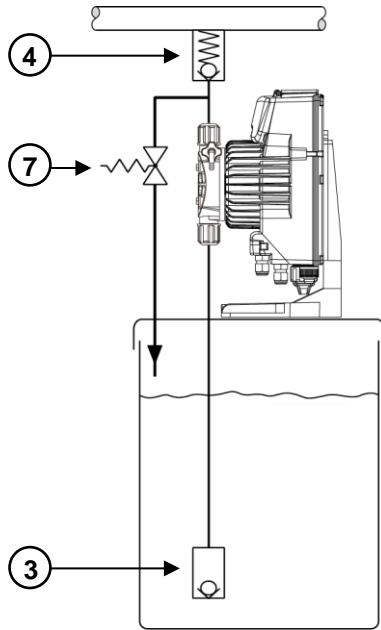
##### 4.1.6.2 Num sistema atmosférico



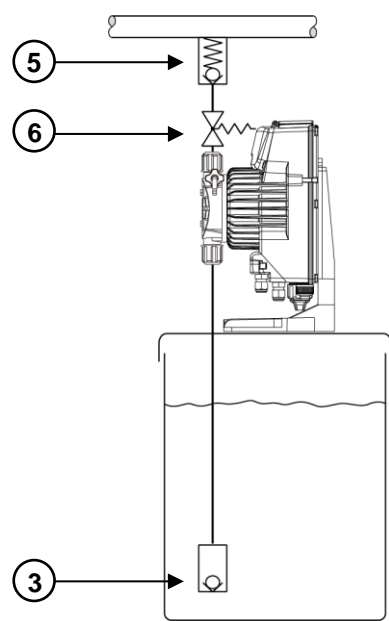
##### 4.1.6.3 Sem superalimentação



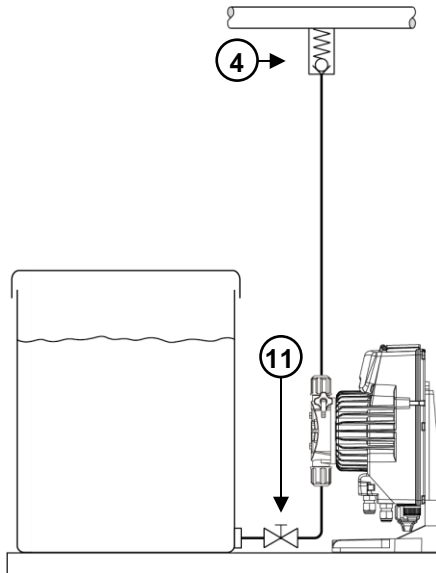
#### 4.1.7 Para proteger contra a sobrepessão



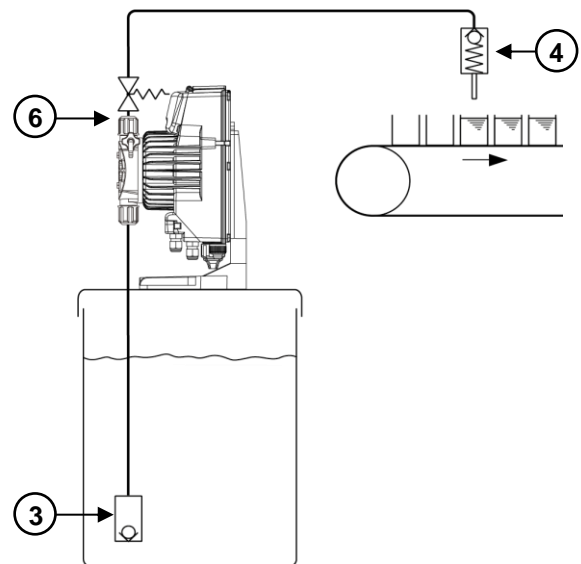
#### 4.1.8 Mensuração a vácuo



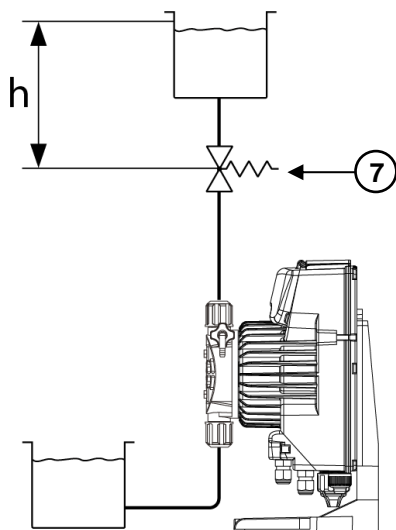
#### 4.1.9 Com meios destinados a emitir fumos e vapores



#### 4.1.10 Mensuração individual do tipo de pulso



#### 4.1.11 Posicionamento da válvula de contrapessão correta



Cálculo da altura da linha permissível máx  $h_{m\acute{a}x}$  acima da válvula de contrapessão:

$$h_{m\acute{a}x} \leq \frac{P \times 14.3}{\text{Rho} \times g}$$

$h_{m\acute{a}x}$  = Linha altura máx (m)

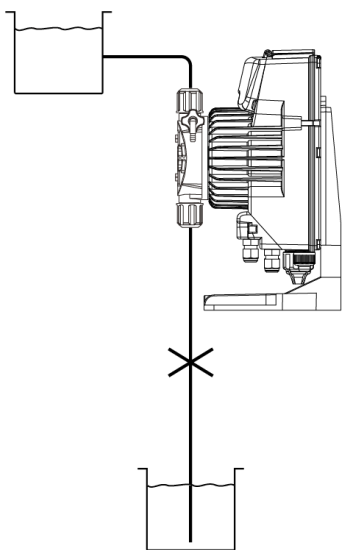
P = kit de pressão pré-estresse (bar)

g = gravitação constante (10 m/s<sup>2</sup>)

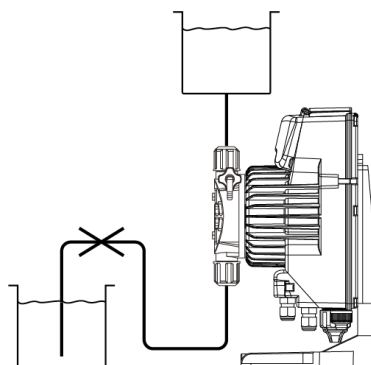
Rho = densidade do meio a ser alimentado (kg/dm<sup>3</sup>)

## 4.2 Instalações da bomba incorreta

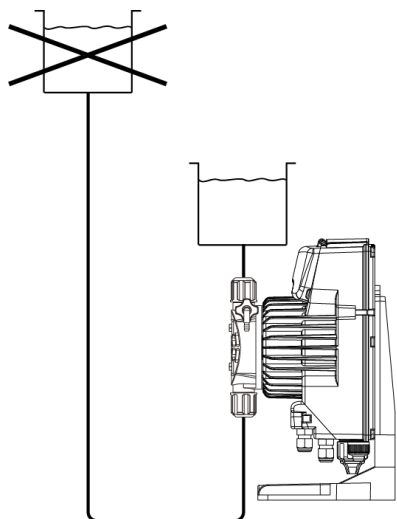
### 4.2.1 Linha de sucção muito alta



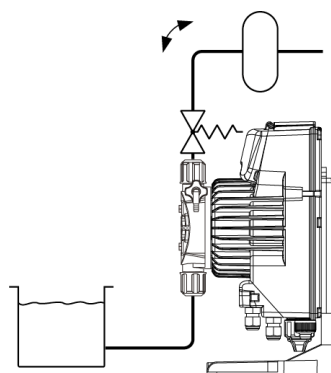
### 4.2.2 Fluxo livre, o meio será alimentado por gravidade através da bomba



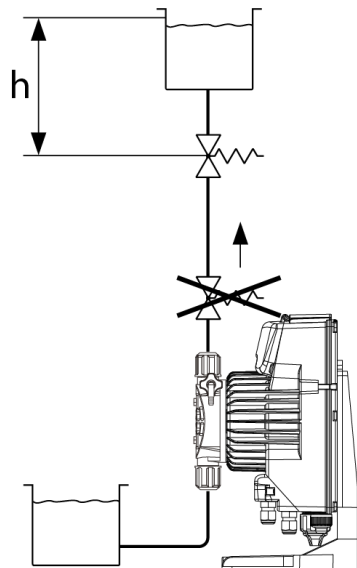
### 4.2.3 A linha de sucção não pode ser purgada



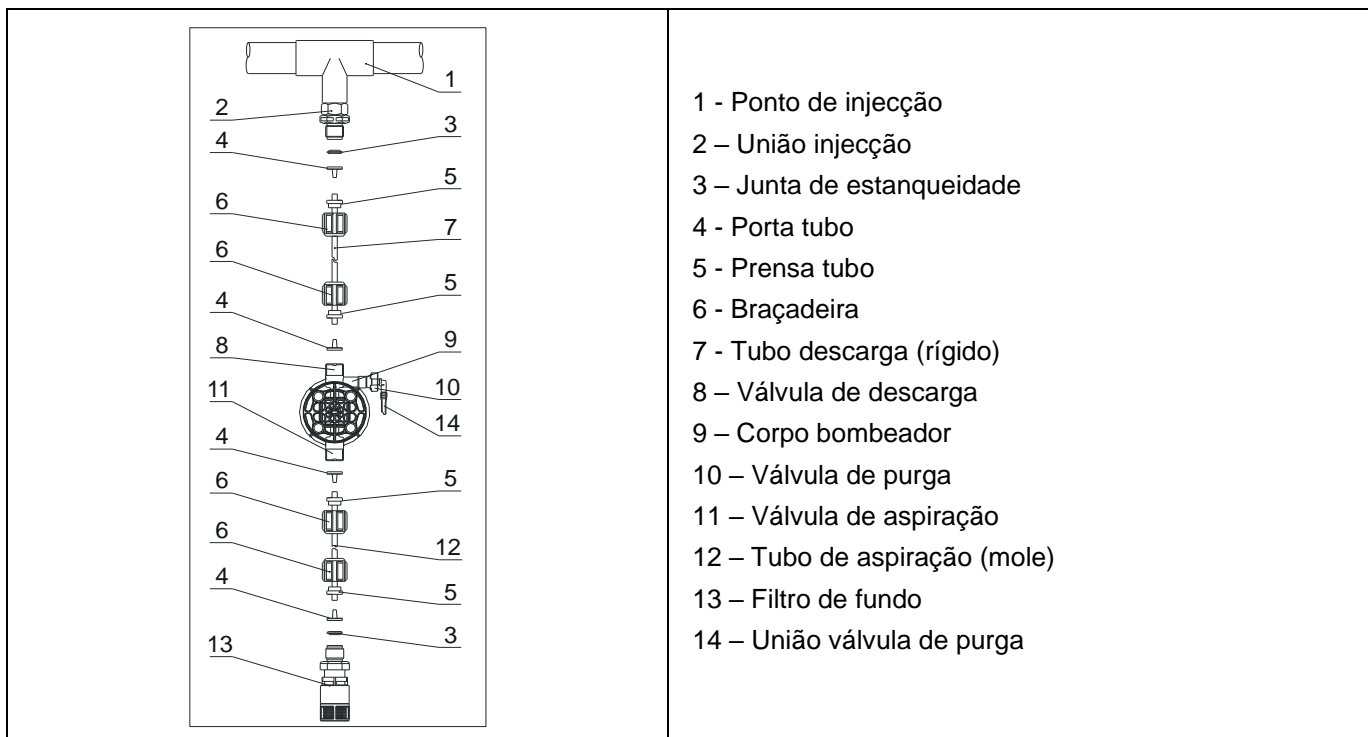
### 4.2.4 Acumulador ineficaz



### 4.2.5 Posição BPV incorreta



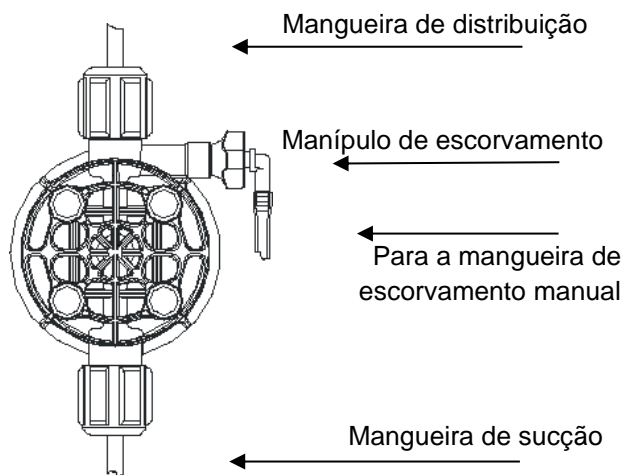
### 4.3 Ligações hidráulicas



#### 4.3.1 Mangueira de escorvamento

Inserir um lado da mangueira de escorvamento no conector de descarga. Inserir o outro lado da mangueira de escorvamento no tanque de produto.

Durante o procedimento de escorvamento, o produto excedente irá fluir para o tanque.



Modelo de cabeça de bomba de escorvamento manual, conexões da cabeça da bomba PVDF

É permitida para mangueira de escorvamento levemente curva.



**Durante o procedimento de calibração (“TESTE”), inserir a mangueira de escorvamento no tubo de teste BECKER.**



**As válvulas de distribuição e sucção deverão estar na posição vertical**



### 4.3.2 Bomba de sucção



Os tubos de sucção devem ser o mais curto possível e instalados na posição vertical para evitar a sucção de bolhas de ar.

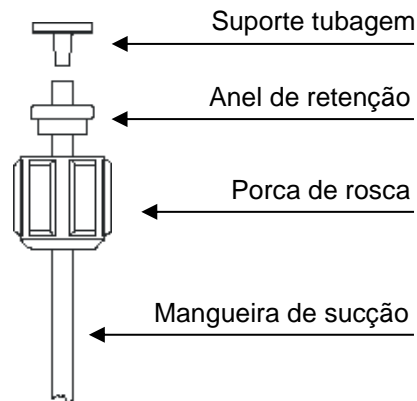
Desparafusar completamente a porca de aperto da cabeça da bomba e remover os componentes de montagem: porca de aperto, anel de retenção e suporte do tubo.

Inserir a mangueira no suporte de tubos até quando alcançar a parte inferior. Bloquear a mangueira na cabeça da bomba parafusando a porca de aperto.



**Apertar muito bem as porcas à mão.**

Não usar pinças ou qualquer outra ferramenta.

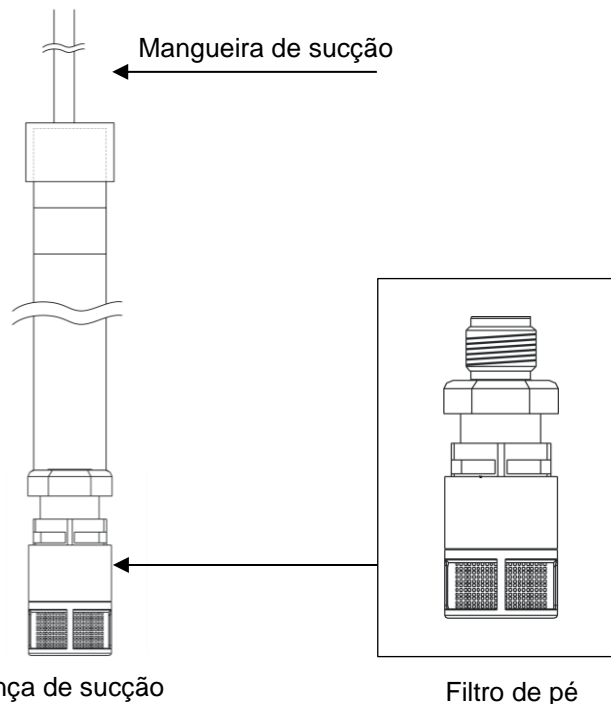


Montagem da mangueira de sucção

#### Instalação do filtro de pé

A sonda de nível é montada com um filtro de pé que evita problemas de escorvamento de sedimentos.

Instalar a sonda de nível na base do tanque.



Lança de sucção

Filtro de pé



**Aviso: Caso haja um mixer instalado no tanque, instalar uma lança de sucção em vez da sonda de nível / filtro de pé.**

### 4.3.3 Bomba de distribuição



A mangueira de distribuição deve ser fixada de maneira bem firme para evitar movimentos repentinos que podem danificar objetos que se encontram nas proximidades

Desparafusar completamente a porca de aperto da cabeça da bomba e remover os componentes de montagem: porca de aperto, anel de retenção e suporte do tubo.

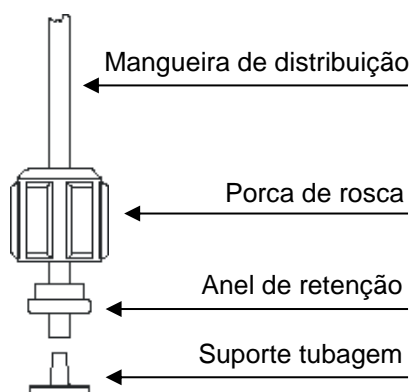
Inserir a mangueira no suporte de tubos até quando alcançar a parte inferior. Bloquear a mangueira na cabeça da bomba parafusando a porca de aperto.



**Apertar muito bem as porcas à mão.**

Conectar a outra extremidade da mangueira na válvula de injeção usando o mesmo procedimento.

Conectar a outra extremidade da mangueira na válvula de injeção usando o mesmo procedimento.



Montagem da mangueira de distribuição

### Ajuste de injeção

O ajuste de injeção deve ser instalado no sistema a partir da entrada de água.

O ajuste de injeção abrirá a uma pressão superior a 0,3 bar.

## 4.4 Ligações elétricas

	<p>Entrada A = Alimentação</p> <p>Entrada B = Nível</p>	<p>Evite que a bomba compartilhe uma fonte de alimentação com outros aparelhos eléctricos que gerem altas tensões.</p> <p><b>A ligação com a linha trifásica 380V deverá ser realizada exclusivamente entre fase e neutro. Não se realizam ligações entre fase e terra.</b></p>
--	---	---

## 4.5 Notas

Depois de 800 horas de trabalho, aperte os pinos do corpo da bomba, aplicando um binário de aperto de 4 Nm.

Quando realize as ligações hidráulicas deverá observar as instruções a seguir:

- Instale o **FILTRO DE FUNDO** a uns 5-10cm do fundo para evitar eventuais depósitos.
- Nas bombas com caudal muito pequeno é aconselhada a instalação subnível, especialmente quando são doseados produtos que emanam gás (ex.: hipoclorito de sódio, hidrazina, peróxido de hidrogénio,...).
- Os tubos que possuírem um comprimento maior dos do kit de instalação, é importante que possuam as mesmas dimensões que os fornecidos pela bomba. Se o **TUBO DE DESCARGA** tiver de ser exposto aos raios solares, aconselha-se o uso de um tubo preto resistente aos raios ultravioleta.
- Aconselha-se que o **PONTO DE INJEÇÃO** seja localizado mais alto do que a bomba ou o reservatório.
- A **VÁLVULA DE INJEÇÃO**, fornecida com a bomba, sempre deverá ser instalada no fim da linha de descarga do fluxo de dosagem.

## 4.6 Precauções para o uso

A tensão de operação da bomba eletromagnética é 100 - 240V, 50/60Hz. As bombas foram projetadas para tolerar pequenas sobretensões. Portanto, para evitar que a bomba seja danificada, é sempre preferível garantir que a bomba não compartilhe a fonte de alimentação com aparelhos elétricos que geram altas tensões.

Para reduzir o risco de choque elétrico, a tomada da bomba de medição deve estar bem aterrada. Separe o fio terra do fio neutro e cubra os parafusos da cabeça da bomba com tampas.

É absolutamente proibido fazer funcionar a bomba sem líquido durante um tempo longo (máximo 3 minutos).

Antes de dosar produtos químicos que possam reagir com a água (por exemplo, ácido sulfúrico), seque bem todas as partes internas do corpo da bomba (lembramos que há água no cabeçote da bomba no momento da entrega).

A bomba de medição não pode ser usada em condições que excedam a pressão nominal máxima. O valor da pressão nominal está indicado na placa de características da bomba de medição e a unidade é bar (1 bar = 1 quilograma de força/cm<sup>2</sup> = 10 metros de coluna de água). Se a pressão nominal for excedida, a bomba pode ser danificada.

A temperatura ambiente no local de instalação da bomba não pode exceder 40°C e a umidade relativa não pode ser superior a 90%; a bomba não pode ser instalada em local exposto ao sol ou intempéries.

Selecione uma posição de instalação que seja conveniente para a manutenção da bomba e fixe-a com segurança para evitar vibrações. A bomba deve ser instalada em um plano horizontal.

Certifique-se de que a linha de sucção e a linha de distribuição estejam instaladas corretamente e que a válvula de distribuição não seja trocada pela válvula de sucção.

Mantenha as válvulas de sucção/distribuição limpas.

Quando se limpam as válvulas de sucção e distribuição é preciso desmontá-las e remontá-las cuidadosamente. Qualquer parte perdida da válvula influenciará seu desempenho.

As mangueiras fornecidas, válvula de pé e válvula de injeção devem ser utilizadas em conjunto para assegurar uma dosagem precisa.

Se as condições o permitirem, deve ser instalada uma válvula de segurança, de modo a evitar danos na bomba devido a bloqueios.

Aperte a porca de conexão do tubo com a mão e não use ferramentas.

### Conexão das mangueiras de entrada e saída

Use o suporte de tubo fornecido e a braçadeira de tubo; aperte a porca de fixação para evitar o vazamento de líquidos do tubo que podem causar mau funcionamento da bomba. Verifique regularmente as condições da mangueira. Em caso de deterioração da conexão da mangueira, substitua a mangueira ou corte a parte envelhecida e aperte-a novamente.

## **Escorvamento manual**

A válvula de escorvamento está à direita da bomba de medição. Durante a operação de escorvamento, abrir a válvula e voltar a fechá-la depois de esgotar o gás. A saída da válvula de escorvamento deve também ser ligada a uma mangueira para esgotar a mistura gás-líquido, de modo a evitar que pingue na cabeça da bomba e cause corrosão nos parafusos.

A pressão da linha de distribuição deve ser superior à da linha de sucção, caso contrário podem ocorrer fenómenos de sifonagem.

Após 800 horas de funcionamento, apertar novamente os parafusos de fixação do corpo da bomba a 4 Nm.

## **4.7 Arranque**

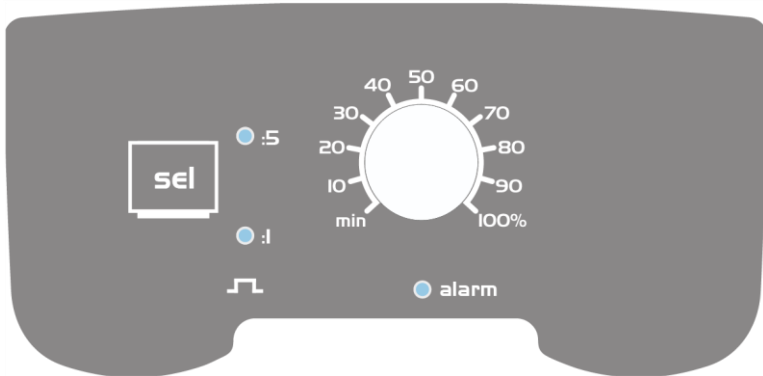


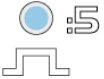


Após ter verificado todas as operações acima descritas, poderá arrancar a bomba.

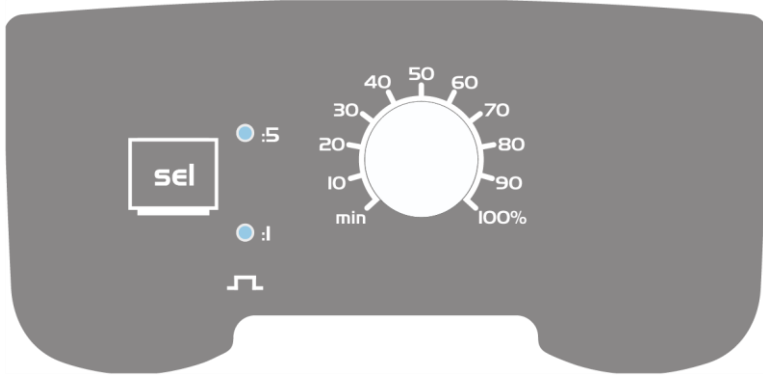




## **4.8 Escorvamento**

- Arranque a bomba
- Abra a união de escorvamento fazendo girar o punho no sentido anti-horário e espere que o líquido saia do tubo ligado ao mesmo.

Quando tiver a certeza de que a bomba está perfeitamente cheia de líquido, poderá fechar novamente a união e a bomba começará a dosear.

## 5 Painel de controle

<b>Tekna AKL</b>	
	
	Potenciômetro regulagem % de vazão
	Seletor de máxima frequência
	Led indicando frequência máxima (:5) e impulso de dosagem
	Led indicando frequência máxima e impulso de dosagem
	Led de alarme sonda de nível

<b>Tekna AKS</b>	
	
	Potenciômetro regulagem % de vazão
	Seletor de máxima frequência
	Led indicando frequência máxima (:5) e impulso de dosagem
	Led indicando frequência máxima e impulso de dosagem

## 6 Alarmes (Tekna AKL)

Visualização	Causa	Interrupção
Led Alarme fixo	Alarme da sonda de nível (líquido acabou no reservatório)	Restauração do nível do líquido.

## 7 Diagnóstico

Falha	Possível causa	Solução
A bomba funciona regularmente mas a dosagem foi interrompida.	Obstrução das válvulas	Limpar as válvulas ou substituí-las se não é possível eliminar as incrustações
	Altura de aspiração excessiva	Colocar a bomba ou o reservatório para reduzir a altura de aspiração (bomba subnível hidráulico)
	Líquido demasiado viscoso	Reduzir a altura de aspiração ou bem utilizar uma bomba com caudal maior
Caudal insuficiente	Perdas nas válvulas	Verificar o aperto correcto das braçadeiras
	Líquido demasiado viscoso	Utilizar uma bomba com caudal maior ou reduzir a altura de aspiração (bomba subnível hidráulico)
	Obstrução parcial das válvulas	Limpar as válvulas ou substituí-las se não é possível eliminar as incrustações
Caudal da bomba excessivo ou irregular	Efeito sifão na descarga	Verificar a instalação da válvula de injeção. Se isto não for suficiente, insira uma válvula de contra-pressão.
	Tubo PVC transparente na descarga	Utilizar o tubo PE opaco na descarga
	Bomba fora de calibragem	Controlar o caudal da bomba, em relação à pressão da instalação.
Ruptura da membrana	Contra-pressão excessiva	Controlar a pressão da instalação. Verificar se a válvula de injeção está obstruída. Verificar se existem obstruções entre as válvulas de descarga e o ponto de injeção.
	Funcionamento sem líquido	Verificar a presença do filtro (válvula) de fundo. Utilizar uma sonda de nível que bloqueie a bomba quando se acaba o produto químico no reservatório
	Membrana não fixada correctamente	Se a membrana foi substituída, verificar o correcto aperto da mesma.
A bomba não consegue ligar-se	Alimentação insuficiente	Verificar se os valores da placa da bomba correspondem aos da rede eléctrica.

## 8 Manutenção

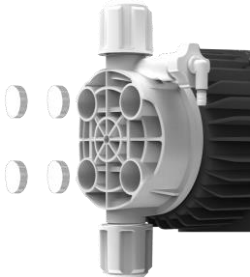


### 8.1 Precauções

- Antes de proceder com a manutenção da bomba, verificar se todas as conexões elétricas foram desconectadas.
- Despressurizar completamente a bomba e drenar os tubos da secção na qual a manutenção será realizada
- Sempre trabalhar usando o equipamento de proteção individual necessário.
- Não libertar no ambiente substâncias poluentes como óleo lubrificante, líquido hidráulico ou químicos bombeado
- Ler atentamente as especificações técnicas dos fluidos doseados e tratados, para se conscientizar dos riscos e das ações que precisam ser adotadas em caso de contato acidental com o fluido perigoso.

### 8.2 Cabeça da bomba

**Não deixar a bomba funcionando sem líquido de processo. Pelo menos a cada seis meses, desmontar a cabeça da bomba e realizar as operações descritas abaixo:**

- Desconectar os tubos de sucção e descarga
- Drenar o líquido de processo dos tubos e cabeça da bomba
- Desmontar a cabeça da bomba seguindo os seguintes passos:

<p>a) Remover as 4 tampas para ter acesso aos parafusos</p> <p>b) Desaparafusar os parafusos que fixam a cabeça da bomba ao mecanismo</p>	
<p>c) Retirar a cabeça da bomba e lavar bem as válvulas de sucção e descarga</p> <p>d) Verificar se há alguma vedação desgastada; substituí-la, se necessário</p>	
<p>e) Checar a presença de sinais de desgaste no diafragma</p>	

- Remontar a cabeça da bomba e apertar os parafusos
- Posicionar as tampas sobre os orifícios dos parafusos

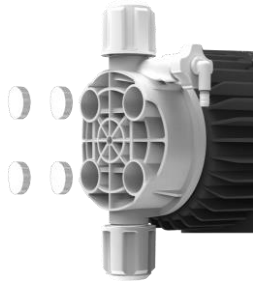

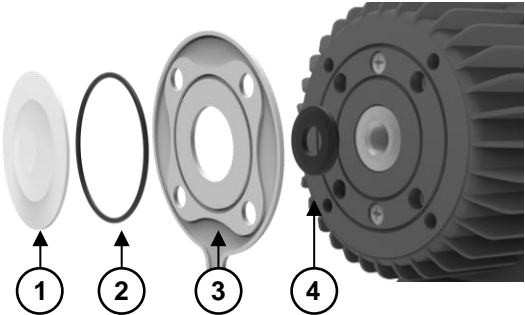
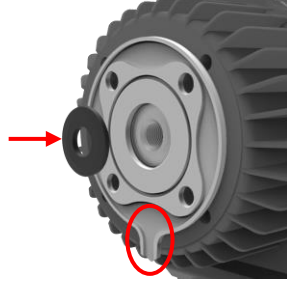
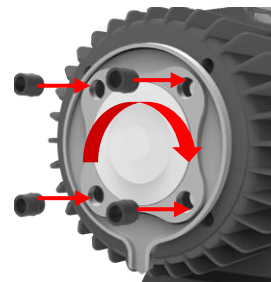


**Apertar os parafusos no corpo da bomba, aplicando um torque de aperto de 4 Nm**

### 8.3 Substituição do diafragma

Caso haja vazamentos na região da cabeça da bomba, após a realização do procedimento de manutenção da cabeça da bomba, executar o procedimento de substituição do diafragma:

- Desconectar os tubos de descarga e sucção, drenar o líquido de processo dos tubos e da cabeça da bomba
- Desmontar a cabeça da bomba e o diafragma seguindo os seguintes passos:

<p>a) Remover as 4 tampas para ter acesso aos parafusos</p> <p>b) Desaparafusar os parafusos que fixam a cabeça da bomba ao mecanismo</p> <p>c) Retirar a cabeça da bomba</p>	
<p>d) Remover o diafragma (disco PVDF branco) desaparafusando-o do seu alojamento</p>	
<p>e) Checar a presença de sinais de desgaste em todas as partes: diafragma (1), vedação diafragma (2), disco anti-infiltração grande (3) e disco anti-infiltração pequeno (4)</p> <p>f) Substituir qualquer parte defeituosa</p>	
<p>g) O disco anti-infiltração grande deve ser instalado com a parte que apresenta a ranhura grande posicionada na parte inferior da bomba e longe da solenoide, com os 4 orifícios encaixados nos orifícios dos parafusos da bomba.</p> <p>h) O disco anti-infiltração pequeno precisa ser posicionado no centro do disco grande, no topo do pistão da solenoide.</p>	
<p>i) Aparafusar o diafragma no pistão da solenoide</p> <p>j) Inserir as 4 vedações fornecidas nos orifícios, prestando atenção na direção: a extremidade mais curta precisa ser posicionada na parte inferior do orifício</p>	

- Remontar a cabeça da bomba, apertar os parafusos e posicionar as tampas nos orifícios dos parafusos



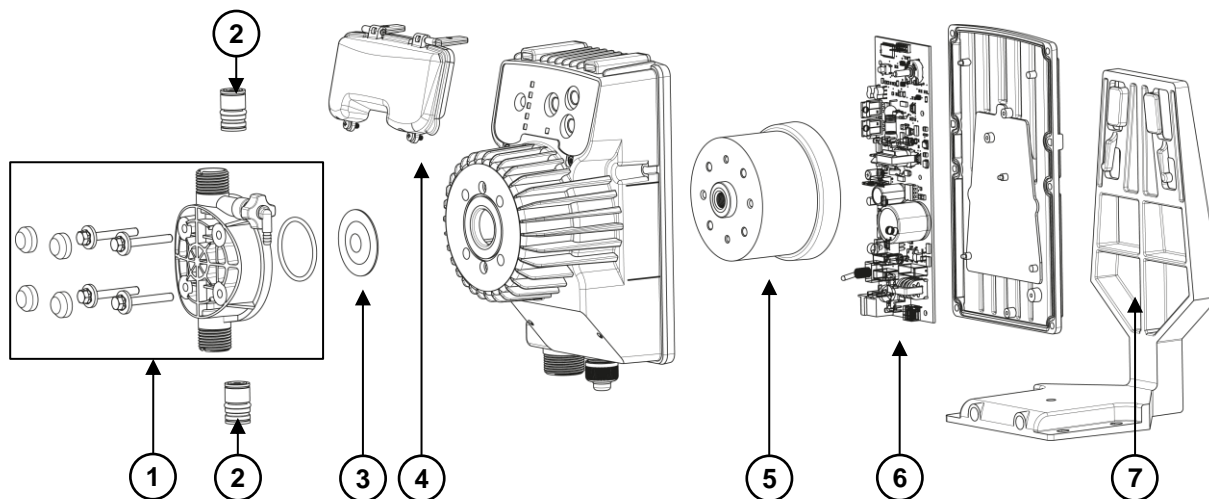
**Apertar os parafusos no corpo da bomba, aplicando um torque de aperto de 4 Nm**



## 8.4 Visão detalhada das partes sobressalentes

Para realizar a manutenção ordinária e evitar uma possível perda de tempo, recomenda-se manter em estoque uma pequena quantidade das seguintes peças:

- Válvula de sucção completa
- Válvula de descarga completa
- Cabeça da bomba completa
- Diafragma, discos anti-infiltrações e vedações



1	Cabeça da bomba
2	Válvulas
3	Diafragma
4	Cobertura da área de controle

5	Solenóide
6	Placa principal
7	Suporte para base

### NOTAS



Ao encomendar as peças sobressalentes, indicar sempre o modelo e o número de série da bomba.

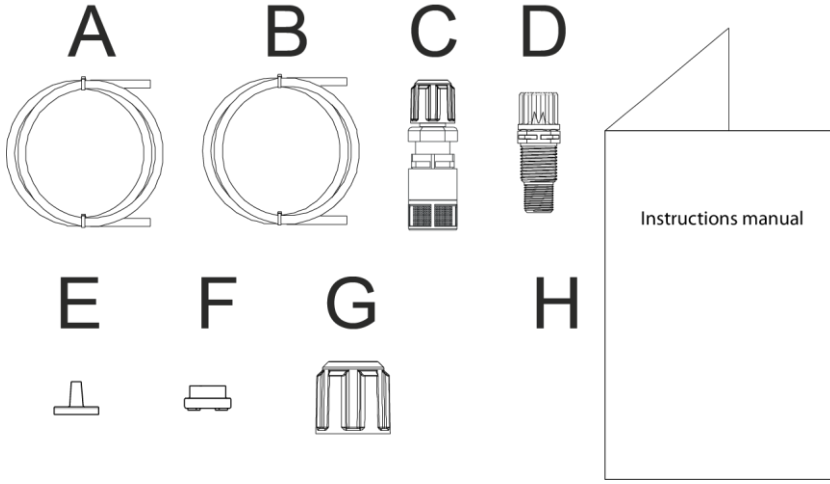
## 8.5 Considerações para a eliminação

Eliminar os materiais tóxicos ou eletrônicos de acordo com os regulamentos aplicáveis, que podem variar de país a país.

Em muitos países, a auto-eliminação de materiais eletrônicos ou tóxicos é proibida e os usuários finais devem eliminá-los adequadamente, eventualmente através de organizações sem fins lucrativos, como previsto pelos governos locais ou organizado voluntariamente por profissionais.

Enviar para uma empresa de reciclagem autorizada, eventualmente através de uma empresa transportadora de resíduos licenciada.

## 1 Ambalajın içindekiler



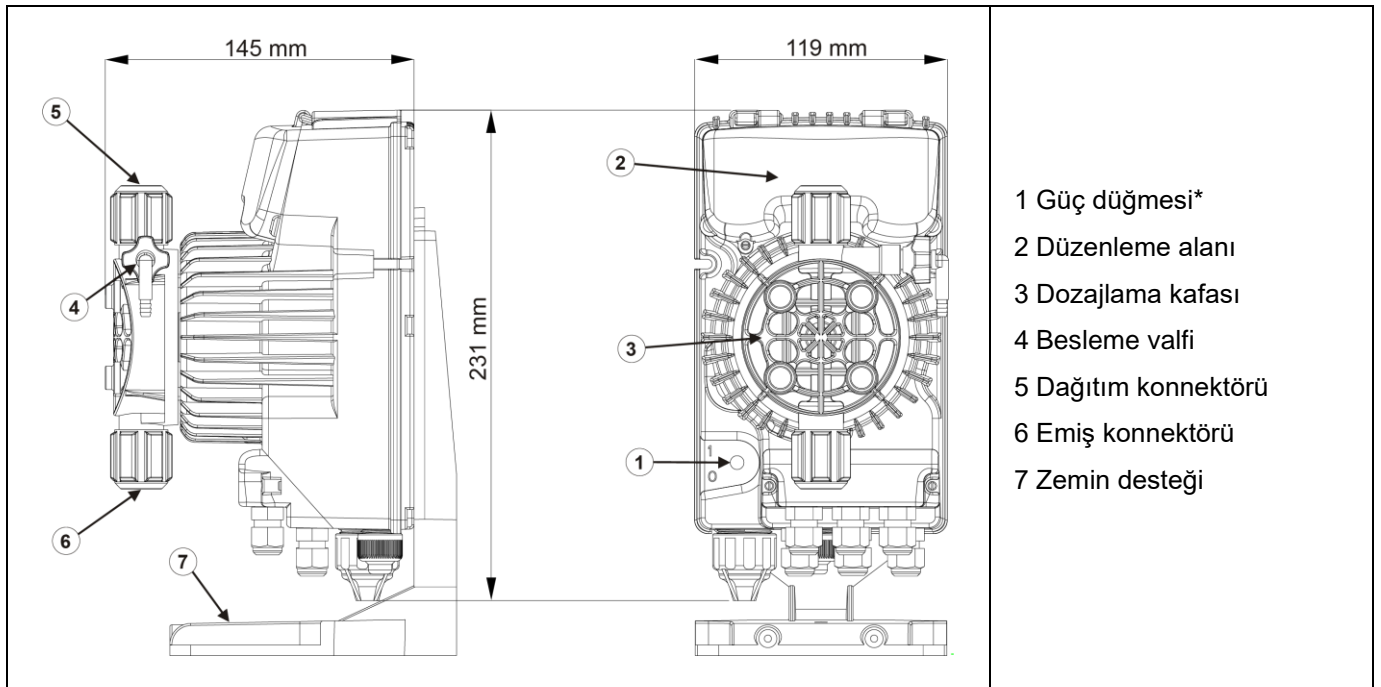
- A. Pompanın çıkışı ile enjeksiyon noktasını bağlamak için opak boru
- B. Emme, boşaltım valfinin bağlantısı ve manüel pompalama için şeffaf boru
- C. Taban filtresi
- D. Enjeksiyon bağlantısı
- E. Sıkıştırma eki
- F. Sıkıştırma manşonu
- G. Sıkıştırma somunu
- H. Kullanım kılavuzu

## 2 Giriş



### ÖZEL HİDROLİK ÖZELLİKLER POMPA ÜZERİNDEKİ ETİKETE BAKIN İÇİN

Dozajlama pompası, elektronik devreleri ve mıknatısı barındıran bir kontrol ünitesi ve dozajlanacak sıvıyla temas halindeki bir hidrolik parçadan oluşmaktadır.



\* Bazı modellerde, anahtar yok. pompaların bu tür, **sel** 5 saniye boyunca bastırıldığında pompa çalışmayı durduracaktır ve tüm LED'ler bu durumu belirtmek için yanıp sönecektir; bu durumda pompa dozlamaz. Tekrar **sel** bastırıldığında pompa aktif hale gelecektir.

Sıvıyla temas halindeki parçaların imalat malzemeleri, gündelik kullanımda en çok karşılaşılan kimyasal ürünlerle uyumlu olacak şekilde seçilmiştir. Pazarda satılan kimyasal ürünlerin çeşitliliği göz önüne alındığında, dozlanan ürünün ve temas parçası malzemelerinin kimyasal açıdan uyumluluğunun kontrol edilmesi önerilir.

## ÖNLEMLER!

Pompayi kurmadan veya üzerinde bakım yapmaya başlamadan önce aşağıdaki önlemleri dikkatle okuyun

**Dikkat! Daha doğru ve düzgün bir işleyiş için pompanın dikey olarak monte edilmesini öneriyoruz.**

**Dikkat! Ürün profesyonel amaçlıdır sadece uzmanı tarafından kullanılmalıdır**

**Dikkat! Ürünü kurmadan veya üzerinde bakım yapmadan önce her zaman güç beslemesini çıkartın**

**Dikkat! Dozlanan ürünle ilgili güvenlik prosedürlerini izleyin**

### 3 Teknik özellikler

Pompa kafasında (standart) kullanılan malzemeler:

- **Gövde:** PVDF
- **Top valfler:** PVDF
- **Küreler:** seramik
- **Diyafram:** PTFE
- **O-Ring:** FKM-B/EPDM

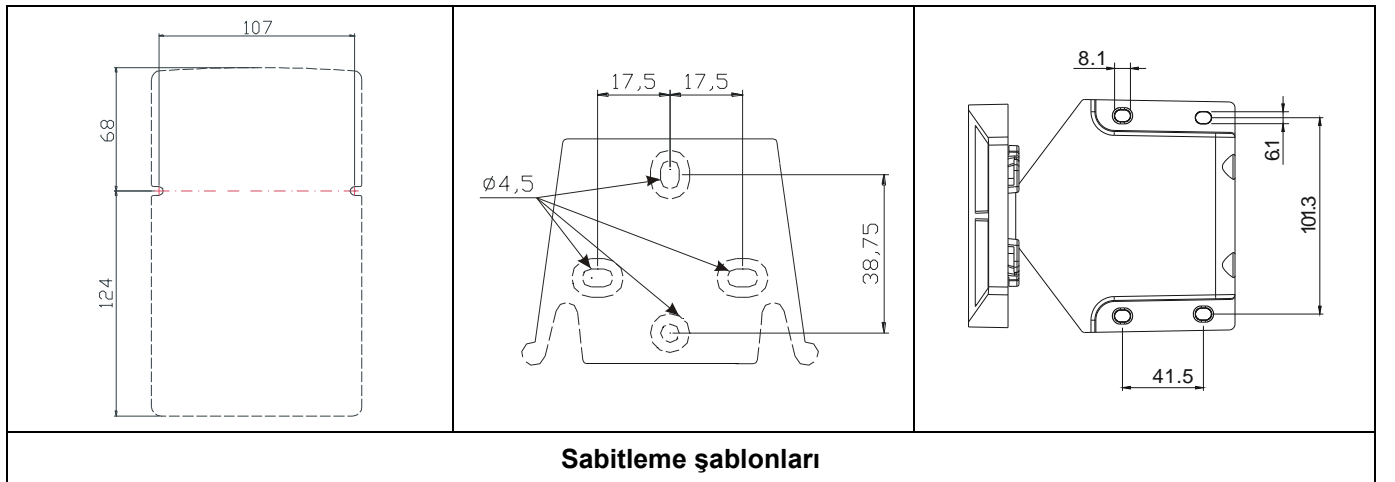
**Not:** Pompanın teknik özellikleri için etikete bakın.

**Pompayi kurmadan veya bakımını yapmadan önce aşağıdaki notları okuyun:**

1. Tüm pompalar su ile test edilmiştir. Suyla reaksiyona girebilecek kimyasal ürünleri dozlarırken, tesisatın tüm dahili parçalarını iyice kurulayın.
2. Pompayı sıcaklığın 40°C'yi aşmadığı ve bağıl nemin %90'ın altında olduğu bir konuma kurun. Pompa, IP65 sınıfı koruma düzeyine sahiptir. Kaçının doğrudan güneş ışığına maruz pompa yüklemeye.
3. Pompayı tüm inceleme ve bakım işlemlerinin kolaylıkla yapılabileceği bir konuma kurun ve ardından aşırı titreşimleri önlemek için pompayı sıkıca sabitleyin.
4. Şebekedeki kullanılabilir güç beslemesinin, pompa etiketinde belirtilen değerlerle uyumlu olduğunu kontrol edin.
5. Basıncı borulara sıvı enjekte ediyorsanız, pompayı çalıştırmadan önce sistem basıncının her zaman dozajlama pompası etiketinde belirtilen maksimum çalışma basıncını aşmadığından emin olun.

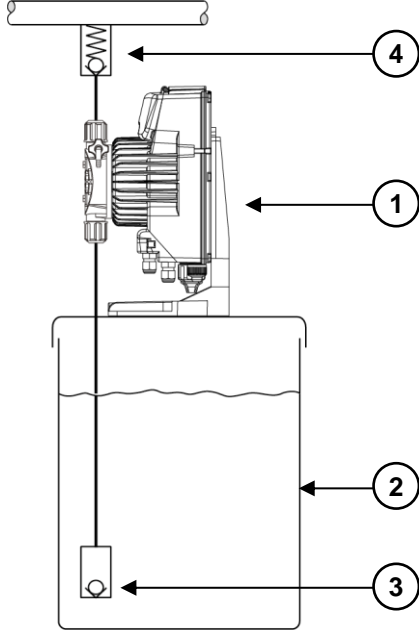
### 4 Tesisat

Pompa sabit, düz, yatay bir yüzeye kurulmalıdır.



## 4.1 Pompa kurulum önerileri

### 4.1.1 Standart kurulum

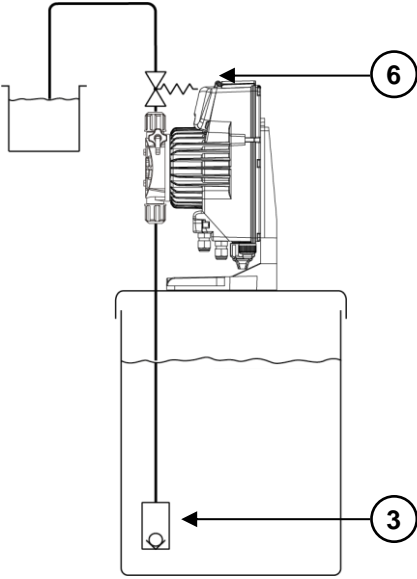


#### Açıklama

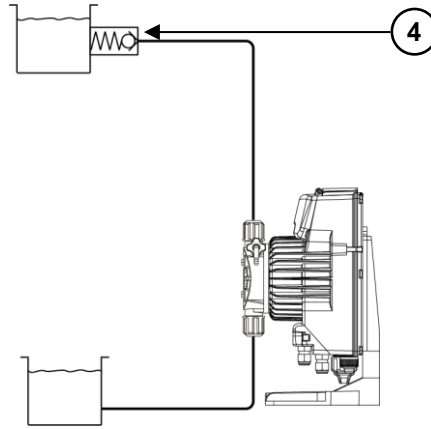
1	Ölçüm pompası
2	Tank
3	Küresel çekvalfli ayak filtresi
4	Enjeksiyon valfi
5	Güçlendirilmiş yaylı enjeksiyon valfi
6	Çok fonksiyonlu valf
7	Geri basınç valfi (tahliye hattı kurulumu)
8	Titreşim sönümleyici
9	Drenaj vanası
10	Hava alma valfi
11	İzolasyon valfi

### 4.1.2 Atmosferik deşarj

#### 4.1.2.1 Atmosferik deşarj ve alçak kafa

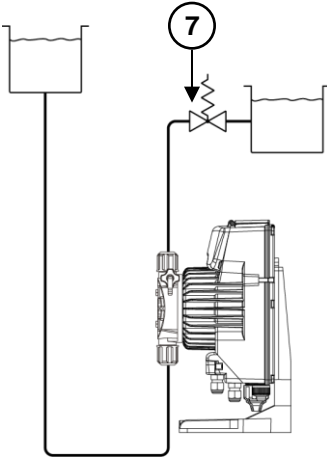


#### 4.1.2.2 Atmosferik deşarj ve büyük kafa

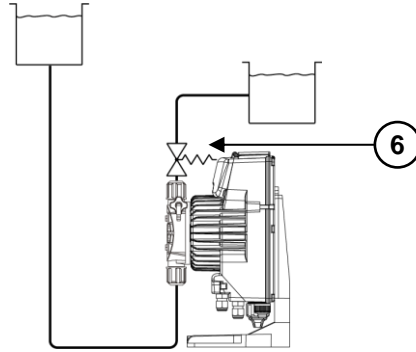


### 4.1.3 Geri basınç ile

#### 4.1.3.1 Emme tarafında geri basınç ve büyük deşarj kafası

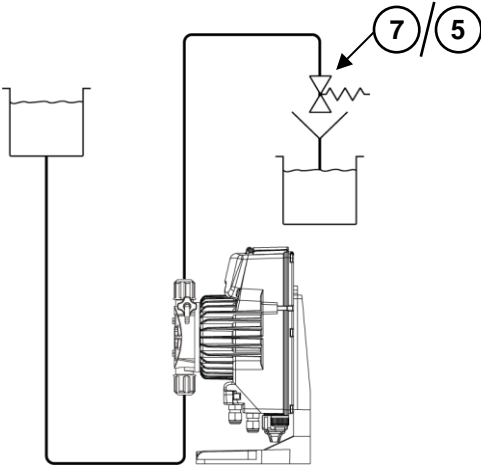


#### 4.1.3.2 Emme tarafında geri basınç ve büyük deşarj kafası

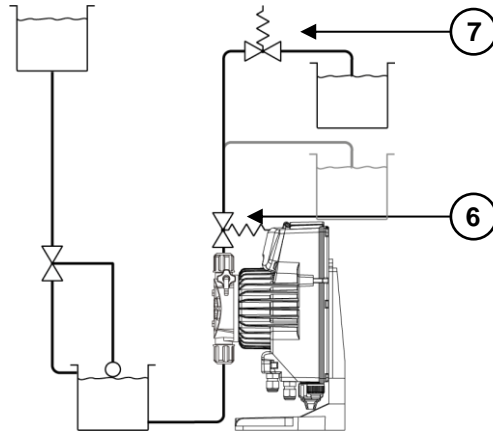


### 4.1.4 Güvenli sifonlama önleme ile

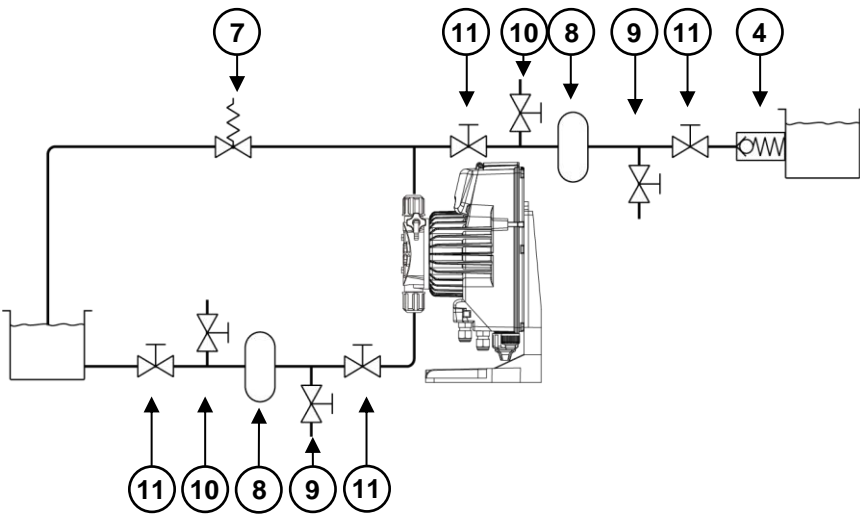
#### 4.1.4.1 Tehlikeli ortam sifonlanmasını güvenli bir şekilde önlemek için kurulum



#### 4.1.4.2 Tehlikeli ortam sifonlanmasını güvenli bir şekilde önlemek için kurulum

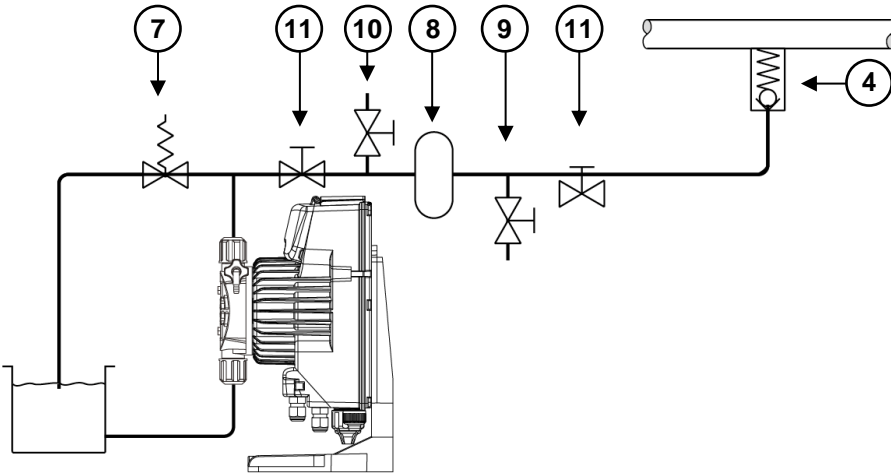


### 4.1.5 Uzun emiş veya tahliye hatları ile

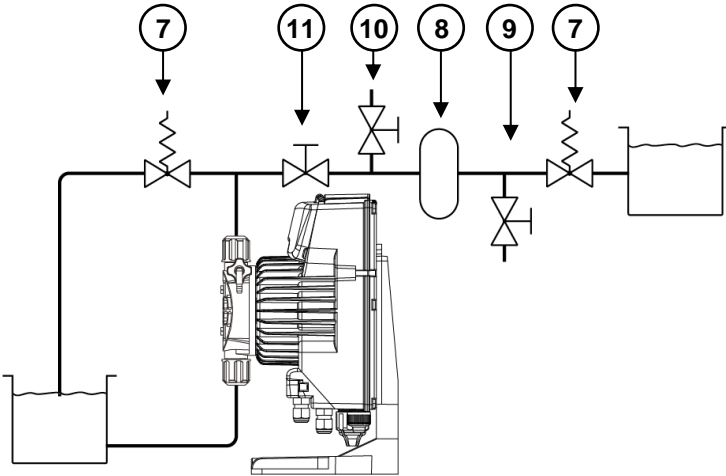


## 4.1.6 Titreşimsiz ölçüm için

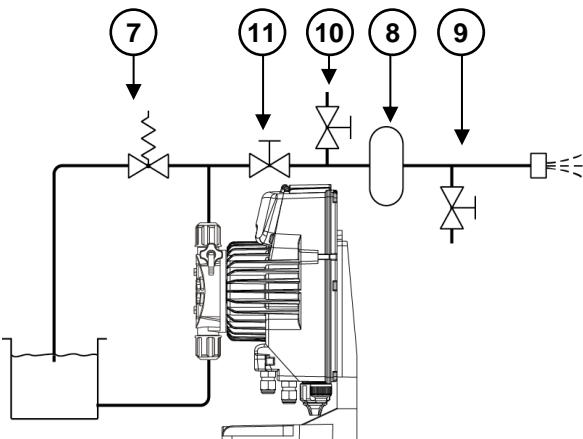
### 4.1.6.1 Tahliye hatlarına



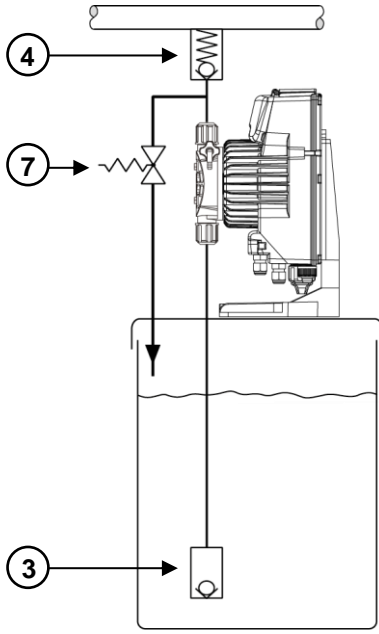
### 4.1.6.2 Atmosferik bir sisteme



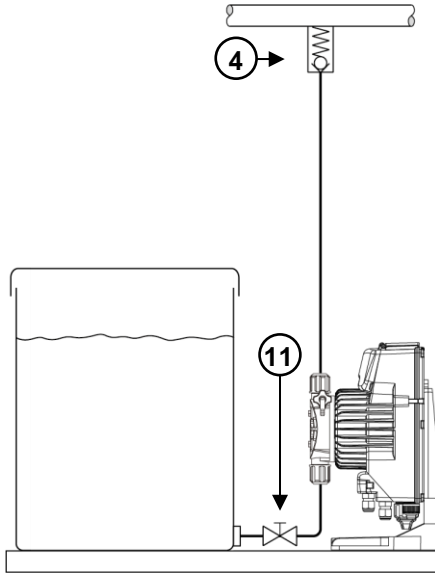
### 4.1.6.3 Aşırı beslemesiz



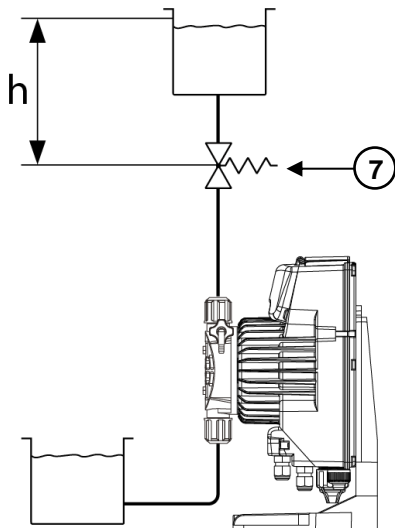
#### 4.1.7 Aşırı basınca karşı koruma sağlamak için



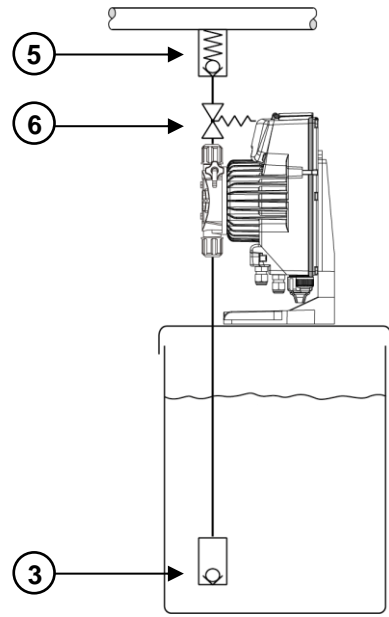
#### 4.1.9 Ortam duman ve buhar yayma eğilimindeyken



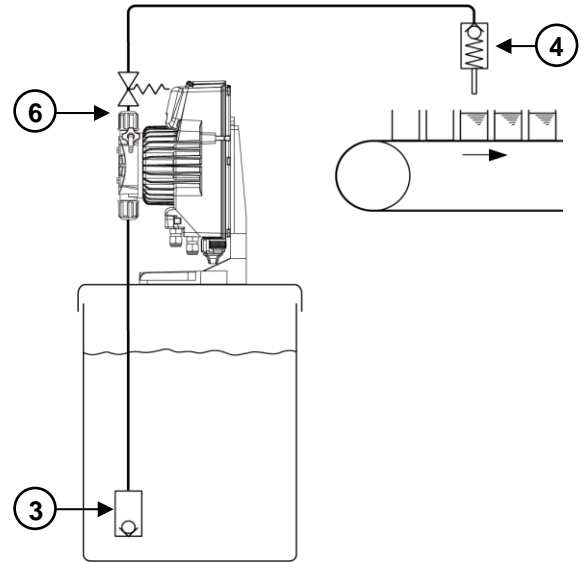
#### 4.1.11 Geri basınç valfinin doğru konumlandırılması



#### 4.1.8 Vakuma ölçüm



#### 4.1.10 Pulse tipi tekil ölçüm



Geri basınç valfinin üzerinde izin verilen maksimum hat yüksekliğinin  $h_{max}$  hesaplanması:

$$h_{max} \leq \frac{P \times 14.3}{\text{Rho} \times g}$$

$h_{max}$  = Maks. hat yüksekliği (m)

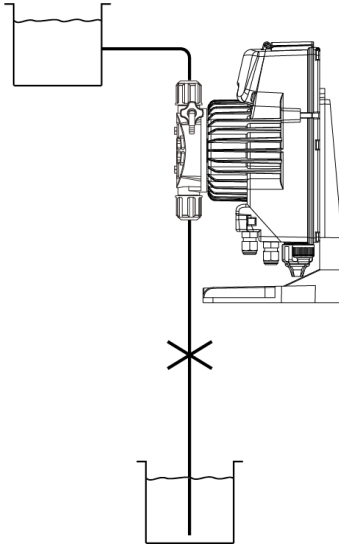
P = ön gerilim basınç ayarı (bar)

g = yerçekimi sabiti (10 m/s<sup>2</sup>)

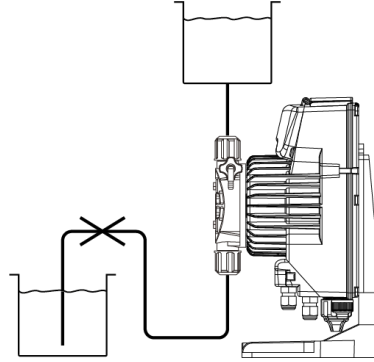
Rho = beslenecek ortamın yoğunluğu (kg/dm<sup>3</sup>)

## 4.2 Hatalı pompa kurulumları

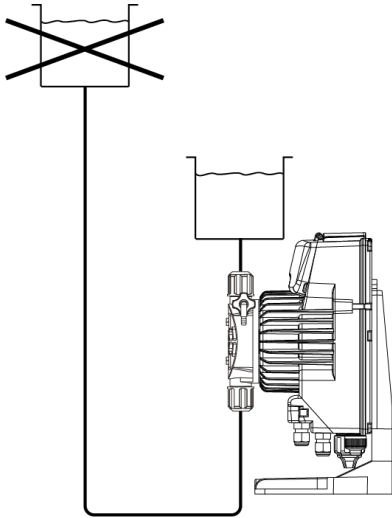
### 4.2.1 Emiş hattı çok yüksek



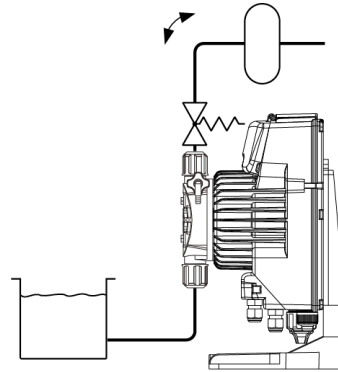
### 4.2.2 Serbest akış, ortam pompa aracılığıyla cazibeli beslenecektir



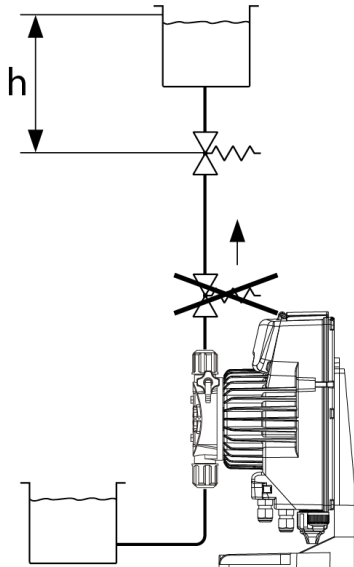
### 4.2.3 Emiş hattı hava tahliyesiz



### 4.2.4 Akümülatör etkisiz

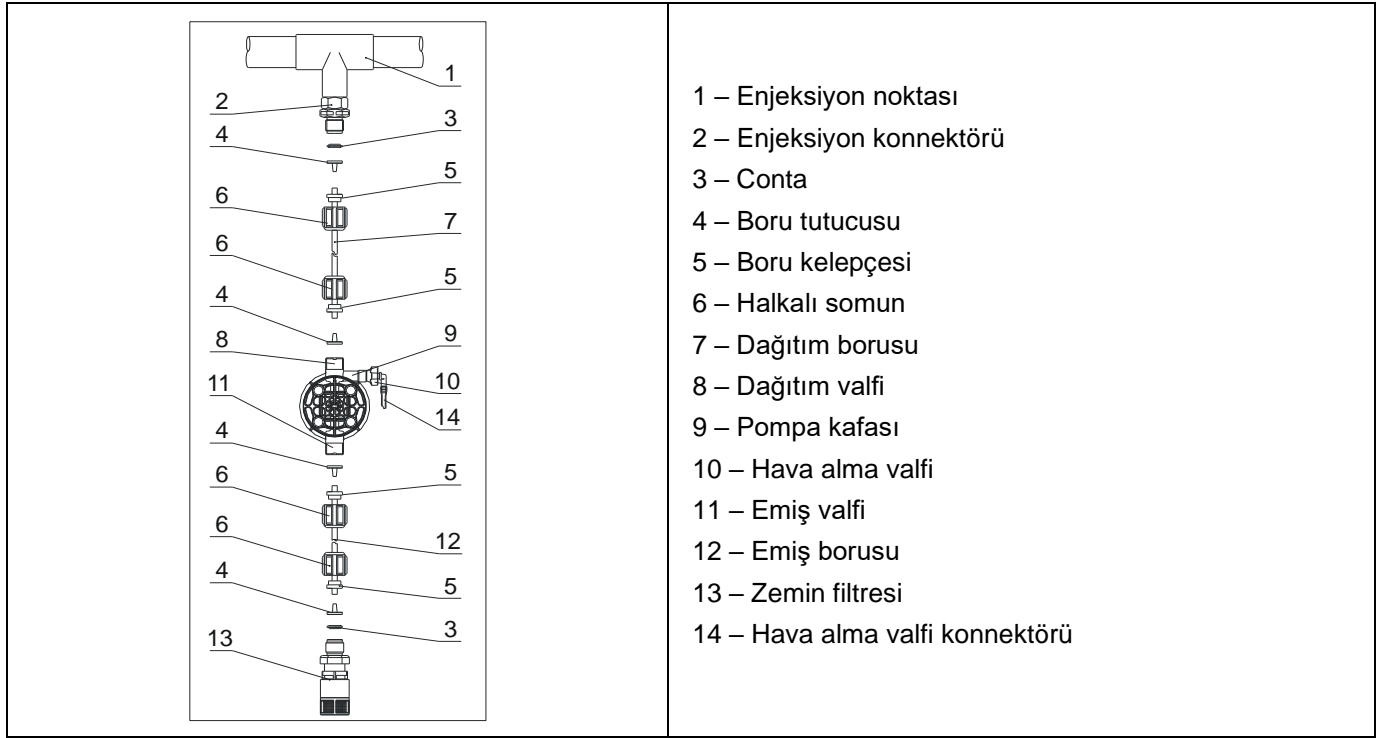


### 4.2.5 Hatalı BPV konumu





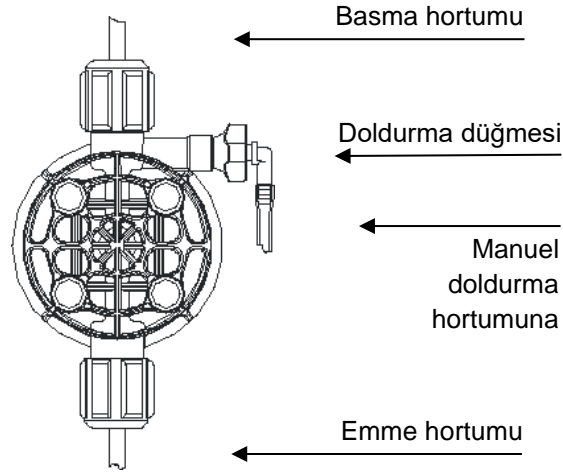
### 4.3 Hidrolik bağlantılar



#### 4.3.1 Doldurma hortumu

Doldurma hortumunun bir ucunu tahliye konnektörüne yerleştirin. Doldurma hortumunun diğer ucunu ürün tankına yerleştirin.

Doldurma prosedürü sırasında fazla ürün tanka akacaktır.



Manuel beslemeli pompa kafası modeli,  
PVDF pompa kafası bağlantıları

Doldurma hortumunu hafifçe bükülmesi mümkündür.



**Kalibrasyon prosedürü ("TEST") sırasında BECKER test tüpüne doldurma hortumunu yerleştirin.**



**Emme ve basma valfleri dikey konumda olmalıdır**

### 4.3.2 Pompa emme



Emiş boruları mümkün olduğunca kısa olmalı ve hava kabarcıklarının emişini önlemek için dikey konuma monte edilmelidir.

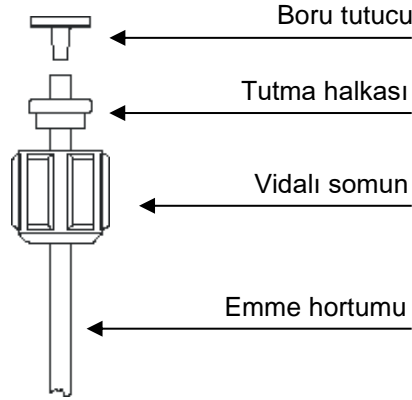
Sıkma somununu pompanın kafasından tamamen sökün ve montaj bileşenlerini çıkarın: sıkma somunu, tutma halkası ve boru tutucu.

Hortumu dibe ulaşana kadar boru tutucuya yerleştirin. Sıkma somununu vidalayarak hortumu pompanın kafasına kilitleyin.



**Somunları elle sıkıca sıkın.**

Pense veya başka bir alet kullanmayın.

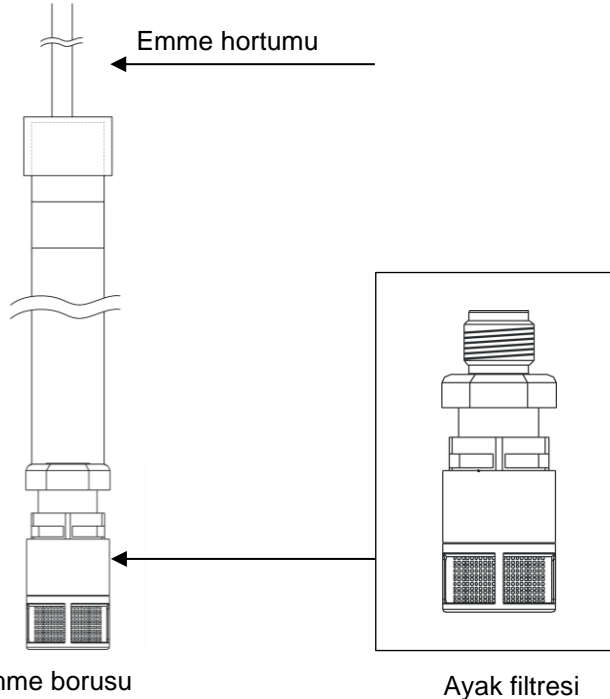


Emme hortumu montajı

### Ayak filtresi montajı

Seviye probu, tortu besleme problemlerini önleyen bir ayak filtresi ile monte edilir.

Tankın dibine seviye probunu takın.



**Uyarı: Tanka monte edilmiş bir karıştırıcı varsa, seviye probu / ayak filtresi yerine bir emme borusu takın.**

### 4.3.3 Pompa basma



**Nesnelerin yakınında zarar verebilecek ani hareketleri önlemek için basma hortumu sıkıca sabitlenmelidir**

Sıkma somununu pompanın kafasından tamamen sökün ve montaj bileşenlerini çıkarın: sıkma somunu, tutma halkası ve boru tutucu.

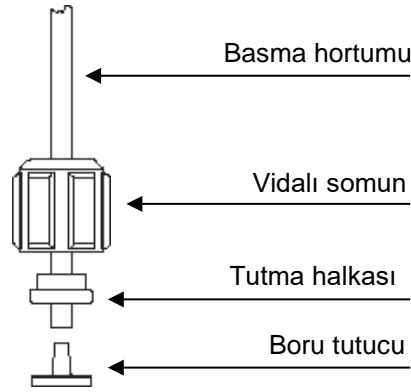
Hortumu dibe ulaşana kadar boru tutucuya yerleştirin. Sıkma somununu vidalayarak hortumu pompanın kafasına kilitleyin.



**Somunları elle iyice sıkın.**

Aynı prosedürü kullanarak hortumun diğer ucunu enjeksiyon valfine bağlayın.

Aynı prosedürü kullanarak hortumun diğer ucunu enjeksiyon valfine bağlayın.



Basma hortumu montajı

### Enjeksiyon bağlantısı

Enjeksiyon bağlantısı, su girişinden itibaren tesisata monte edilmelidir.

Enjeksiyon bağlantısı 0,3 bar'dan daha yüksek basınçta açılacaktır.

### 4.4 Kablolar

	<p>A Girişi = Güç beslemesi</p> <p>B Girişi = Düzey</p>	<p>Pompa, pompanın yan tarafındaki etikette belirtilen değerlerle uyumlu bir güç besleme kaynağına bağlanmalıdır. Bu sınırlara uyulmaması, pompanın zarar görmesine neden olabilir.</p> <p>Pompalar aşırı voltajı sınırlı bir ölçüde emebilecek şekilde tasarlanmıştır. Bu nedenle, pompanın zarar görmesini önlemek için, tercihen pompanın yüksek voltaj üreten elektrikli cihazların da bağlandığı ortak bir güç kaynağına bağlanmadığından emin olun.</p> <p><b>Üç fazlı 380V hattı bağlantısı yalnızca faz ve nötr arasında yapılmalıdır. Faz ve topraklama arasında bağlantı yapılmamalıdır.</b></p>
--	---	--

## 4.5 Notlar

Yaklaşık 800 saatlik çalıştırmadan sonra, 4 Nm'lik bir sıkma torku uygulayarak pompa gövdesindeki civataları sıkılayın.

Tesisat bağlantılarını yaparken, aşağıdaki talimatları izlediğinizden emin olun:

- Tortuların filtreyi tıkamasını ve pompanın hidrolik parçasına zarar vermesini önlemek için **ZEMİN FİLTRESİ** her zaman zeminden 5-10 cm uzakta olacak şekilde kurulmalıdır;
- Pompalar standart olarak giriş ve çıkış boruları pompanın tesisat özelliklerine uygun boyutta seçilmiş olarak tedarik edilir. Daha uzun borular kullanmanız gerekiyorsa, pompayla birlikte verilen borularla aynı boyutlarda borular kullanılması gerekir.
- **DAĞITIM BORUSUNUN** güneş ışınlarına maruz kalabileceği açık mekan uygulamalarında, morötesi ışınlara dayanıklı siyah boru kullanılması önerilir;
- **ENJEKSİYON NOKTASININ** pompa veya depodan daha yükseğe konumlandırılması önerilir;
- Pompayla birlikte verilen **ENJEKSİYON VALFİ**, her zaman dozajlama akışı dağıtım hattının ucuna takılmalıdır.

## 4.6 Kullanım tedbirleri

Elektromanyetik pompaların işletme voltajı 100 - 240V, 50/60Hz'dir. Pompalar ufak yüksek-voltajları tolere etmek için tasarlanmıştır. Buna rağmen pompanın hasar görmesine engel olmak için pompanın yüksek voltaj yaratan elektrikli aletler ile aynı güç kaynağını paylaşmamasını garantilemek gerekir.

Elektrik şoku riskini azaltmak için dozaj pompalarının iyi topraklanması gerekir. Toprak telini nötr telden ayırın ve pompa başlı civatalarını kapaklar ile kapatın.

Pompayı likit olmaksızın uzun süre (maksimum 3 dakika) çalıştırmak kesinlikle yasaktır.

Su ile reaksiyona girebilecek kimyasal ürünleri dozlamadan önce (ör. sülfürik asit), pompa gövdesinin iç kısımlarını kurulaşın (Dağıtım sırasında pompa başında biraz su olabileceğini hatırlatırız).

Dozaj pompası maksimum nominal basıncı aşan durumlarda kullanılamaz. Nominal basınç derecesi dozaj pompasının plakasında etiketlenmiştir (1 bar = 1-kilogram kuvvet/cm<sup>2</sup> = 10-metre su sütunu). Eğer nominal basınç aşırsa pompa hasar görebilir.

Pompanın kurulduğu sitenin ortam sıcaklığı 40°C'yi aşmamalı ve bağıl nem %90'ı geçmemelidir; pompa güneş ve kötü hava koşullarına maruz kalan bir yere kurulmamalıdır.

Pompa bakımı için elverişli bir kurulum pozisyonu seçin ve vibrasyonları önlemek için emniyetle sabitleyin. Pompa yatay düzey üzerine kurulmalıdır.

Emiş ve dağıtım hatlarının doğru şekilde kurulduğundan ve dağıtım valfinin emiş valfi ile değiştirilmediğinden emin olun.

Emiş/dağıtım valflerini temiz tutun.

Emiş ve dağıtım valfleri temizlendiğinde, bunlar dikkatle sökülmeli ve birleştirilmelidir. Valfin herhangi bir eksik parçası performansına etki edecektir.

Donanımdaki hortumlar, pedal ve enjeksiyon valfi özenli bir dozajı garantilemek için birlikte kullanılmalıdır.

Eğer koşullar izin veriyorsa, güvenlik valfi pompanın blokajlara bağlı hasarlarına engel olmak üzere takılmalıdır.

Lütfen bağlantı somununun alet kullanmadan el ile sıkınız.

### Giriş ve çıkış hortumlarının bağlantısı

Donanımdaki boru tutucu ve boru kelepçesini kullanın; sabitleme somununu pompanın çalışma bozukluğuna yol açabilen sıvı sızıntılarını önlemek için sıkın. Lütfen düzenli biçimde hortum durumunu kontrol edin. Hortum bağlantısının bozulması durumunda, lütfen hortumu değiştirin veya eskiyen kısmı kesin ve tekrar sıkın.

## **Manüel hava alma**

Emniyet supabı dozaj pompasının sađında bulunur. Hava ıkarma operasyonu sırasında valfi aın ve gaz bittikten sonra yeniden kapatın. Emniyet supabının ıkışı, pompa bařlıđına damlayarak bulon paslanmasına neden olmasını önlemek iin, gaz-likit karışımını boşaltmak iin hortuma bađlanmış olmalıdır.

Dađıtım hattı basıncı emiř hat basıncından daha yüksek olmalıdır, aksi halde sifonlama fenomeni görülebilir.

800 saat işlemeden sonra pompa gövdesinin sabitleme cıvatalarını 4 Nm olarak tekrar sıkın.

## **4.7 alıřtırma**

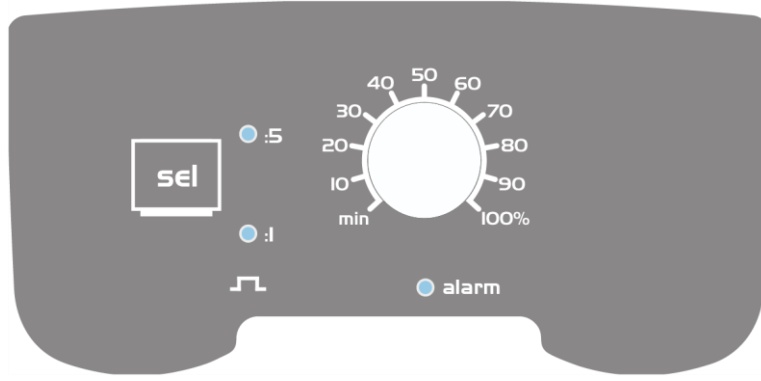
Yukarıda aıklanan tüm işlemler tamamlandıktan sonra, pompa alıřtırmaya hazır hale gelir.






## **4.8 Besleme**

- Pompayı alıřtırın
- Düđmeyi saat yönünün tersine evirerek besleme konnektörünü aın ve takılı borudan dıřarı sıvı ıkmasını bekleyin. Pompanın tamamen sıvıyla dolduđundan emin olunca, konnektörü kapattıđınızda pompa dozajlamaya bařlayacaktır.

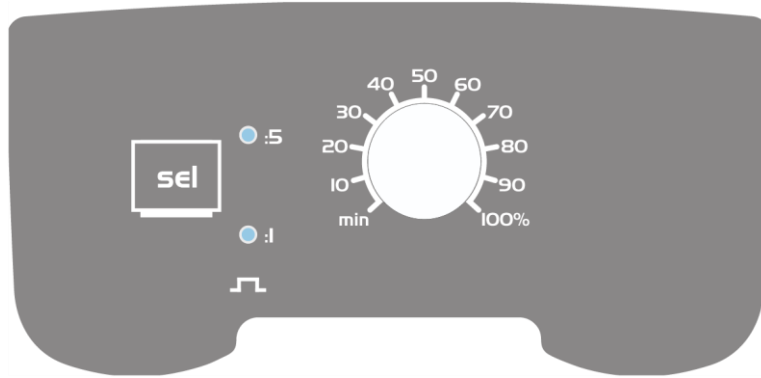
## 5 Kumanda paneli





### Tekna AKL



	Debi %'si düzenleme potansiyometresi
	Maksimum frekans ve dozajlama darbesi LED'i
	Maksimum hız (:5) ve dozajlama darbesi LED'i
	Maksimum frekans ve dozajlama darbesi LED'i
	Düzey sensörü alarm LED'i

### Tekna AKS



	Debi %'si düzenleme potansiyometresi
	Maksimum frekans ve dozajlama darbesi LED'i
	Maksimum hız (:5) ve dozajlama darbesi LED'i
	Maksimum frekans ve dozajlama darbesi LED'i

## 6 Alarmlar (Tekna AKL)

Ekran	Nedeni	Kesinti
Sabit alarm LED'i	Düzeş sensörü alarmı (tanktan çekilen sıvı)	Sıvı seviyesini düzeltin.

## 7 Sorun giderme

Sorun	Olası Nedeni	Çözüm
Pompa düzgün çalışıyor fakat dozajlama kesiliyor	Valf tıkanmıştır	Valfleri temizleyin veya temizlenemeyen kalıntılar varsa gerekirse yenileriyle değiştirin
	Emiş yükseklięi çok fazladır	Pompayı veya tankı emiş yükseklięini azaltacak şekilde konumlandırın (pompayı su yükseklięinin altına kurun)
	Sıvının viskozitesi çok yüksektir	Emiş yükseklięini azaltın veya daha büyük bir debi kapasitesine sahip bir pompa kullanın
Debi kapasitesi yetersiz	Valf sızdırıyordu	Halka somunlarının düzgün bir şekilde sıkıldığından emin olun
	Sıvının viskozitesi çok yüksektir	Daha büyük bir debi kapasitesine sahip bir pompa kullanın veya emiş yükseklięini azaltın (pompayı su yükseklięinin altına kurun)
	Valf kısmen tıkanmıştır	Valfleri temizleyin veya temizlenemeyen kalıntılar varsa gerekirse yenileriyle değiştirin
Pompanın debi kapasitesi çok yüksek veya düzensiz	Dağıtım hattında sifon etkisi olmuştur	Enjeksiyon valfi tesisatını kontrol edin. Yetersiz ise bir geri basınç valfi takın.
	Dağıtım hattındaki saydam PVC borusu	Dağıtım hattında opak bir PE borusu kullanın
	Pompa düzgün kalibre edilmemiştir	Sistem basıncına göre pompanın debi kapasitesini kontrol edin.
Diyafram bozuk	Aşırı geri basınç	Sistem basıncını kontrol edin. Enjeksiyon valfinin tıkanıp tıkanmadığını kontrol edin. Dağıtım valfleri ve enjeksiyon noktası arasında tıkanma olup olmadığını kontrol edin.
	Sıvısız çalıştırma	Zemin filtresinin (valf) yerinde olup olmadığını kontrol edin. Depodaki kimyasal ürün tükendiğinde pompayı durduran bir düzeş sensörü kullanın.
	Diyafram düzgün şekilde sabitlenmemiştir	Diyafram değiştirilmişse, yeni diyaframın düzgün bir şekilde sıkıldığından emin olun.
Pompa çalışmıyor	Güç beslemesi yetersizdir	Pompa plakası verilerindeki değerlerle elektrik şebekesi değerlerinin uyumlu olup olmadığını kontrol edin.

## 8 Bakım

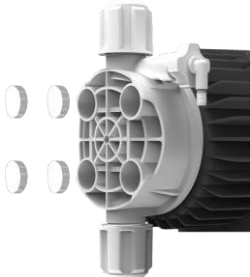


### 8.1 Önlemler

- Pompadaki bakıma geçmeden önce, tüm elektrik bağlantılarının bağlantısının kesildiğinden emin olun.
- Pompanın basıncını tamamen boşaltın ve bakımın gerekli olduğu bölümdeki boruları tahliye edin.
- Her zaman gerekli güvenlik koruma ekipmanını giyerek çalışın.
- Pompalanan kimyasallar, hidrolik sıvı, yağlama yağı gibi çevreyi kirletici maddeleri dökmeyin
- Tehlikeli bir sıvı ile kazara temas durumunda yapılması gereken riskler ve eylemler hakkında bilgi sahibi olmak için dozajlanan ve işlenen sıvıların teknik özelliklerini dikkatlice okuyun.

### 8.2 Pompa kafası

**Pompanın proses sıvısı olmadan çalışmasına izin vermeyin. En az altı ayda bir, pompa kafasını sökün ve aşağıda açıklanan işlemleri gerçekleştirin:**

- Emme ve tahliye borularının bağlantısını kesin
- Pompa kafası ve borulardan proses sıvısını boşaltın
- Aşağıdaki adımları izleyerek pompa kafasını sökün:

<p>a) Cıvatalara erişmek için 4 kapağı çıkarın</p> <p>b) Pompa kafasını mekanizmaya sabitleyen cıvataları sökün</p>	
<p>c) Pompa kafasını çıkarıp emme ve boşaltma valflerini iyice yıkayın</p> <p>d) Herhangi bir contanın aşınmış olup olmadığını doğrulayın; gerekirse bunları değiştirin</p>	
<p>e) Diyaframda aşınma ve yıpranma belirtileri olup olmadığını kontrol edin</p>	

- Pompa kafasını geri takın ve cıvataları sabitleyin
- Kapakları cıvata deliklerinin üzerine geri yerleştirin



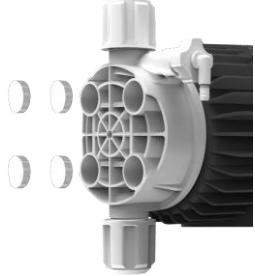

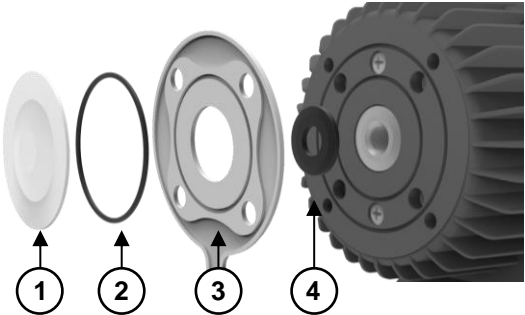
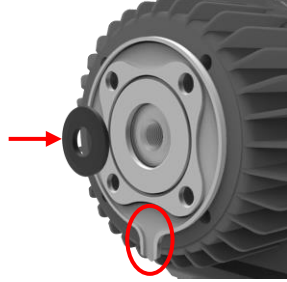
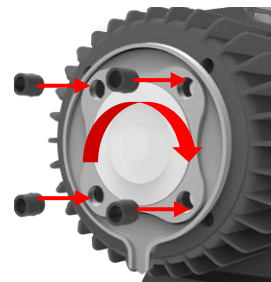
**4 Nm'lik bir sıkma torku uygulayarak pompa gövdesindeki cıvataları sıkın**



### 8.3 Diyafram deęiřimi

Pompa kafası bölgesinde sızıntılar varsa, pompa kafası bakım prosedürü yerine getirildikten sonra, lütfen diyafram deęiřtirme prosedürünü uygulayın:

- Emme ve boşaltma borularının bağlantısını kesin, proses sıvısını pompa kafasından ve borulardan boşaltın
- Ařaęıdaki adımları izleyerek pompa kafasını ve diyaframı sökün:

<p>a) Civatalara eriřmek için 4 kapaęı çıkarın</p> <p>b) Pompa kafasını mekanizmaya sabitleyen civataları sökün</p> <p>c) Pompa kafasını çıkarın</p>	
<p>d) Diyaframı (beyaz PVDF disk) yuvasından civatalarını sökerek çıkarın</p>	
<p>e) Tüm parçaları aşınma ve yıpranma belirtileri açısından kontrol edin: diyafram (1), diyafram contası (2), büyük sızıntı önleyici disk (3) ve küçük sızıntı önleyici disk (4)</p> <p>f) Hasarlı parçaları deęiřtirin</p>	
<p>g) Büyük sızıntı önleyici disk, pompa kasasının altına yerleřtirilmiř küçük oluk kısmı ile monte edilmeli ve pompa kasasının vida yuvalarıyla eřleřen 4 delik ile solenoidden uzaęa bakmalıdır.</p> <p>h) Küçük sızıntı önleyici disk ise daha büyük diskin ortasına, solenoidin pistonu üstüne yerleřtirilmelidir.</p>	
<p>i) Diyaframı solenoidin pistonuna vidalayın</p> <p>j) Saęlanan 4 contayı deliklere yerleřtirin, yöne dikkat edin: daha kısa uç delięin dibine yerleřtirilmelidir</p>	

- Pompa kafasını geri takın, civataları sabitleyin ve kapakları civata deliklerinin üzerine geri yerleřtirin

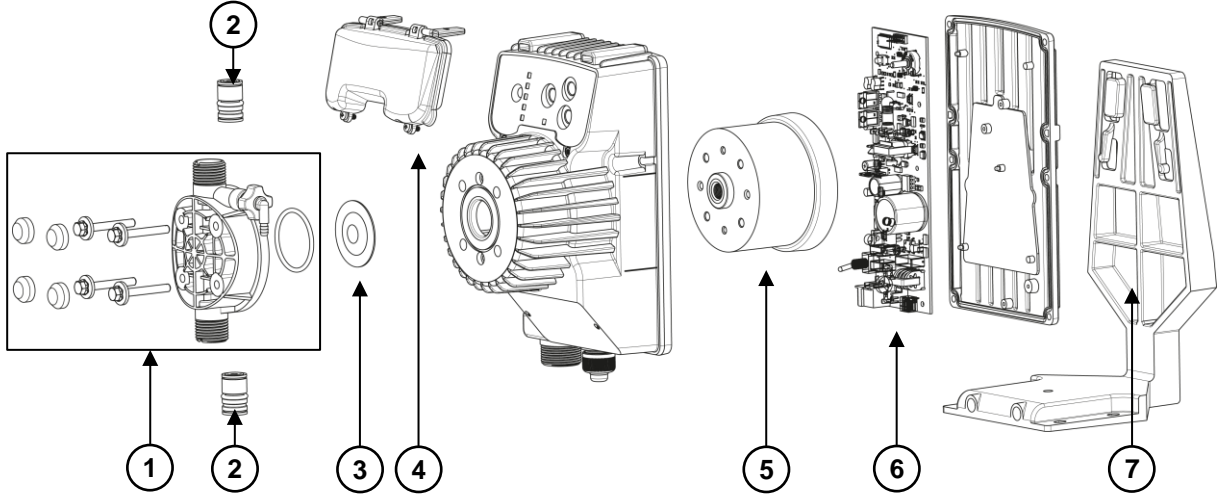


**4 Nm'lik bir sıkma torku uygulayarak pompa gövdesindeki civataları sıkın**

## 8.4 Yedek parça demonte görünümü

Olağan bakım sağlamak ve olası zaman kaybını önlemek için, stokta aşağıdaki yedek parçalardan küçük bir stok tutulması önerilir:

- Komple emiş valfi
- Komple deşarj valfi
- Komple pompa kafası
- Diyafram, sızıntı önleyici diskler ve contalar



1	Pompa kafası
2	Vanalar
3	Diyafram
4	Kontrol alanı kapağı

5	Solenoid
6	Anakart
7	Zemin desteği

### NOT



Yedek parça siparişi verirken, lütfen pompanın her zaman modelini ve seri numarasını belirtin.

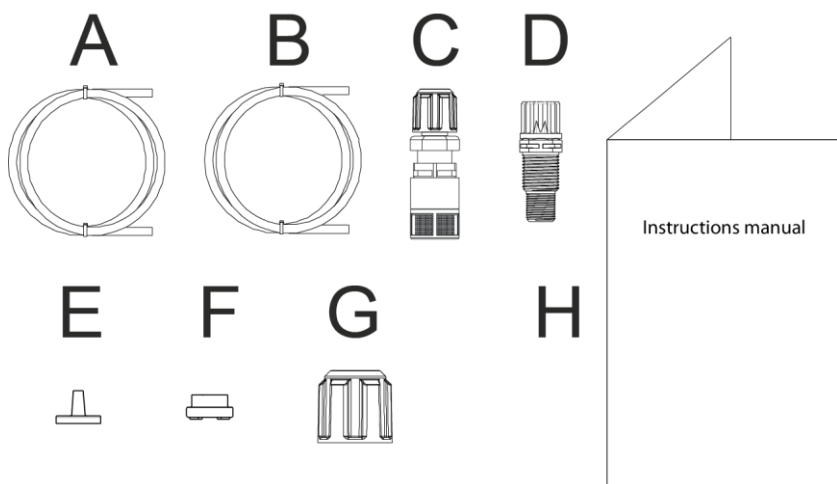
## 8.5 Bertaraf ile ilgili dikkat edilmesi gereken noktalar

Elektronik veya toksik materyalleri, ülkeden ülkeye değişen yürürlükteki yönetmeliklere uygun olarak bertaraf edin.

Çoğu ülkede, elektronik veya toksik malzemelerin kendi kendine bertaraf edilmesi yasaktır ve son kullanıcılar, nihayetinde yerel yönetimler tarafından zorunlu kılınan veya profesyoneller tarafından gönüllülük esasına göre organize edilen kar amacı gütmeyen kuruluşlar aracılığıyla bunları uygun şekilde elden çıkarmaya davet edilir.

Nihayetinde lisanslı atık taşıyıcılar aracılığıyla yetkili geri dönüşüm tesislerine gönderin.

## 1 Содержимое упаковки



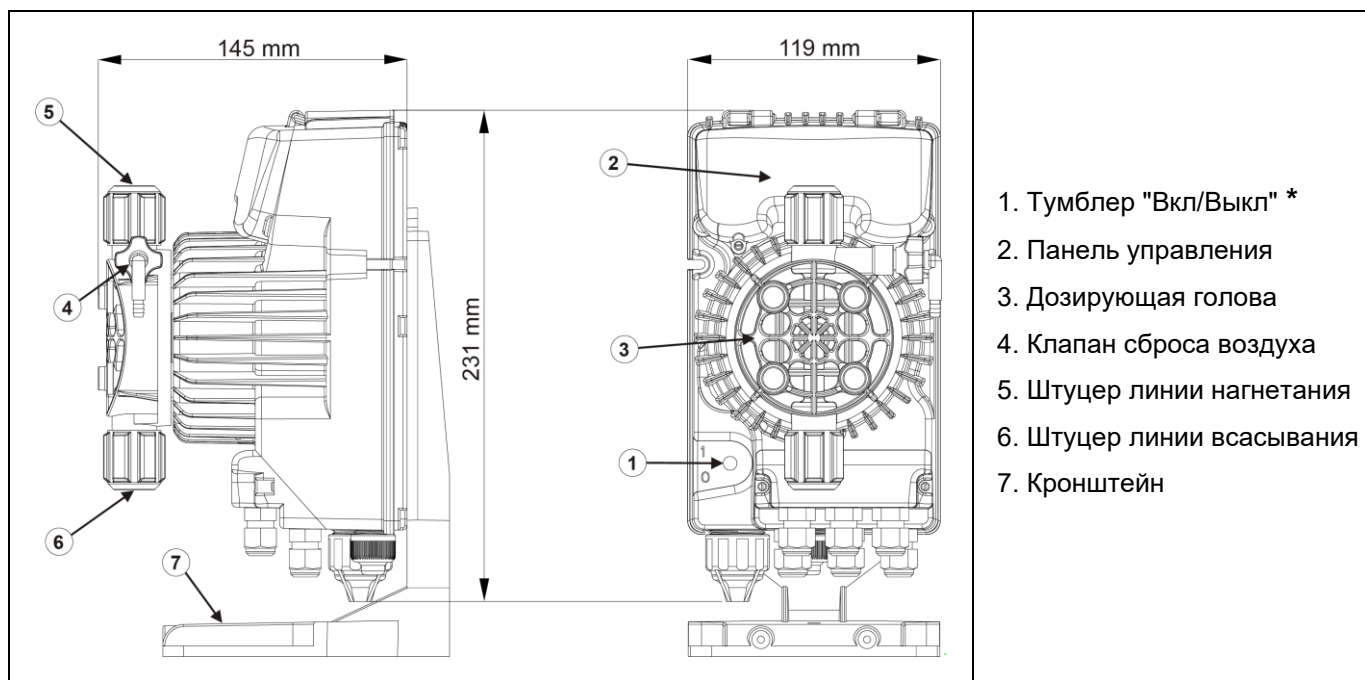
- A. Матовая труба для подключения выхода насоса к точке нагнетания.
- B. Прозрачная всасывающая труба для подсоединения спускного клапана и для ручного наполнения.
- C. Нижний фильтр
- D. Нагнетательный штуцер
- E. Компрессионная вставка
- F. Компрессионный рукав
- G. Гайка компрессионная
- H. Руководство по эксплуатации

## 2 Комплект поставки



**ДЛЯ ВСЕХ ХАРАКТЕРИСТИК КОНКРЕТНОЙ ЭТИКЕТКЕ НА ГИДРАВЛИЧЕСКИЙ НАСОС**

Дозирующий насос состоит из блока управления, включающего в себя электронный блок, блок электромагнитных клапанов и гидравлическую часть, контактирующую с дозируемой жидкостью.



\* некоторых моделях переключатель нет. Для этого типа насосов, если удерживать **sel** в течение минимум 5 секунд, насос прекращает работу и все светодиодные сигналы начинают мигать для индикации его состояния; в таком состоянии насос не выполняет дозирование. При повторном нажатии на **sel** насос возвращается в свое рабочее состояние.

Детали, контактирующие с жидкостью, были выбраны таким образом, чтобы обеспечить идеальную совместимость с большинством обычно используемых химических продуктов. Учитывая ассортимент доступных на рынке химических продуктов рекомендуется проверить химическую совместимость дозируемого продукта с материалами, с которыми он будет контактировать.

## МЕРЫ ПРЕДОСТОРОЖНОСТИ!

**Внимание!** Данное изделие требует профессионального подхода. Пожалуйста пользуйтесь услугами квалифицированных специалистов.

**Внимание!** Рекомендуем установку насоса в вертикальном положении для обеспечения правильного функционирования.

**Внимание!** Любой ремонт или замена запасных частей оборудования должны быть выполнены только квалифицированным персоналом.

**Внимание!** Всегда отсоединяйте электропитание перед ремонтом или профилактическим обслуживанием насоса.

**Внимание!** Соблюдайте меры безопасности при работе с дозируемым продуктом.

## 3 Технические характеристики

Материалы, находящиеся в контакте с дозируемой жидкостью

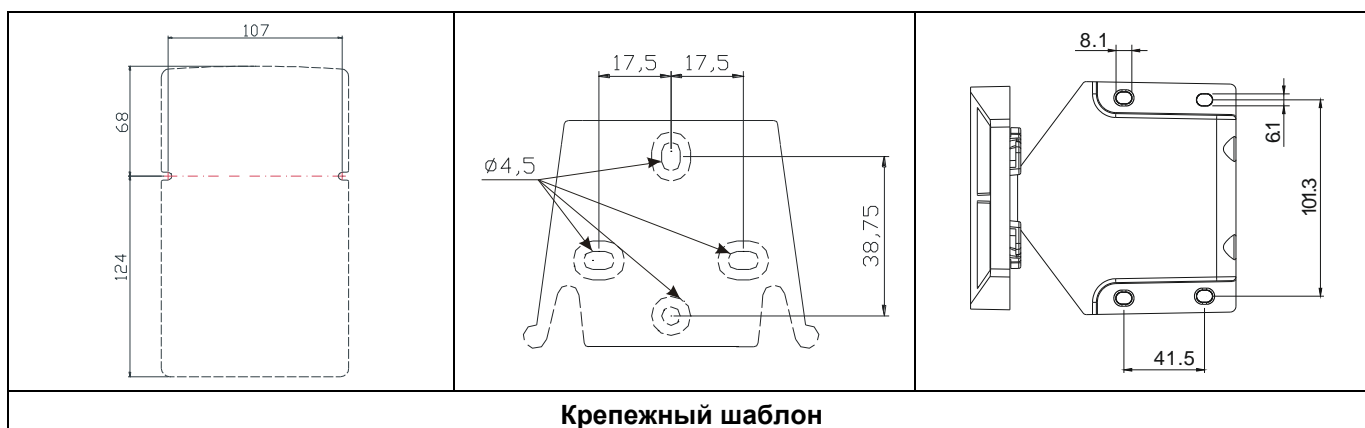
Детали	Стандартный материал
Дозирующая голова насоса	Поливинилдифторид
Клапаны всасывания и нагнетания	Поливинилдифторид
Шаровые клапаны	Керамика
Мембрана	ПТФЭ

Перед установкой или выполнением технического обслуживания насоса прочитайте следующие примечания:

1. Предупреждение: перед выполнением каких-либо работ с насосом обязательно отсоедините кабель питания и соблюдайте инструкции по технике безопасности при работе с дозируемой жидкостью.
2. Все насосы проходят предпродажную проверку с водой. Дозируя химические продукты, которые реагируют с водой (например, серная кислота), тщательно высушите все внутренние части гидравлической линии.
3. Насос должен быть смонтирован в помещении с температурой воздуха не более 40°C и относительной влажностью не выше 90 %. Уровень защиты насоса - IP65.
4. Монтаж насоса должен быть осуществлён таким образом, чтобы можно было легко провести его осмотр и профилактическое обслуживание. Насос должен быть жёстко закреплён на поверхности монтажа для предотвращения вибрации
5. Перед запуском насоса в эксплуатацию проверьте совместимость параметров электросети и электрических характеристик насоса.
6. Перед запуском насоса в эксплуатацию при дозировании в напорную линию удостоверьтесь, что давление в трубопроводе ниже максимального рабочего давления насоса.

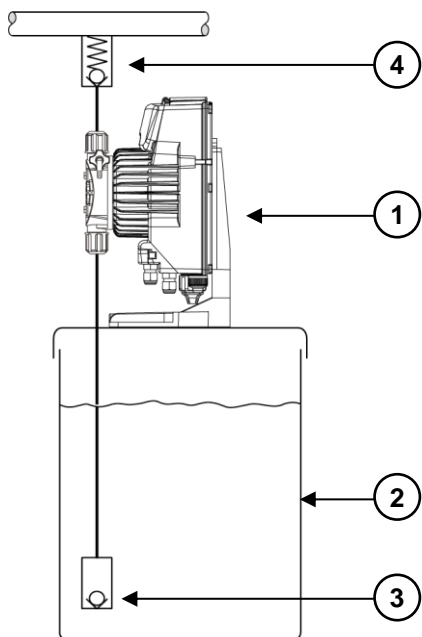
## 4 УСТАНОВКА

Насос необходимо установить на твердой плоской горизонтальной поверхности.



## 4.1 Рекомендации по установке насоса

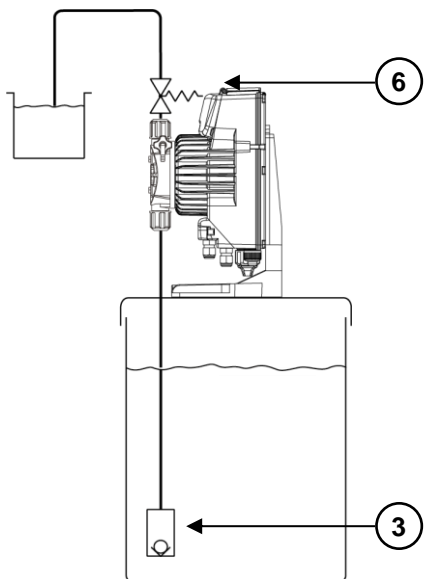
### 4.1.1 Стандартная установка



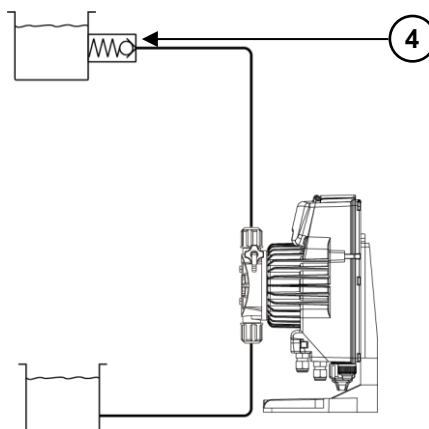
Описание	
1	Дозирующий насос
2	Бак
3	Донный фильтр с шаровым обратным клапаном
4	Клапан впрыска
5	Клапан впрыска с укрепленной пружиной
6	Многофункциональный клапан
7	Клапан обратного давления (установка на спускной линии)
8	Гаситель пульсаций
9	Дренажный клапан
10	Спускной клапан
11	Изолирующий клапан

### 4.1.2 Выпуск в атмосферу

#### 4.1.2.1 Выпуск в атмосферу и низкий напор

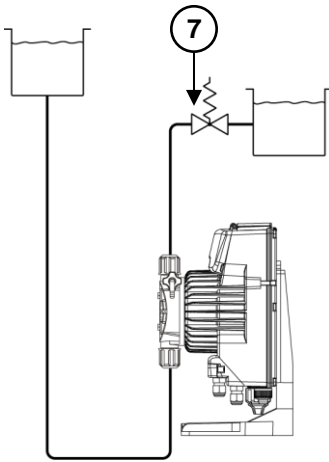


#### 4.1.2.2 Выпуск в атмосферу и высокий напор

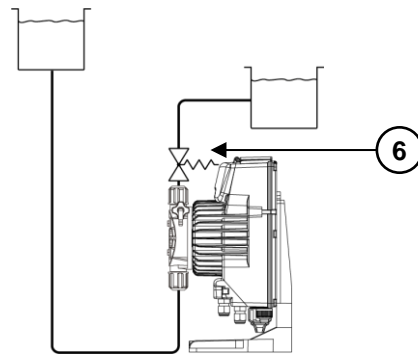


### 4.1.3 С противодавлением

4.1.3.1 Противодействие со стороны всасывания и высокий напор при спуске

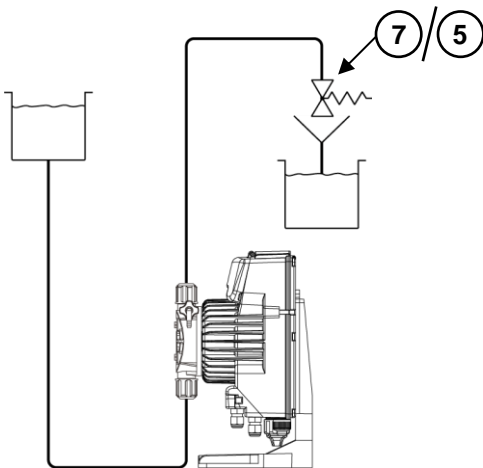


4.1.3.2 Противодействие со стороны всасывания и низкий напор при спуске

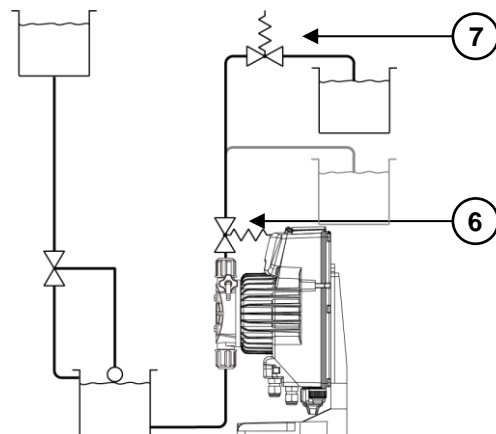


### 4.1.4 С системой надежного предотвращения сифонирования

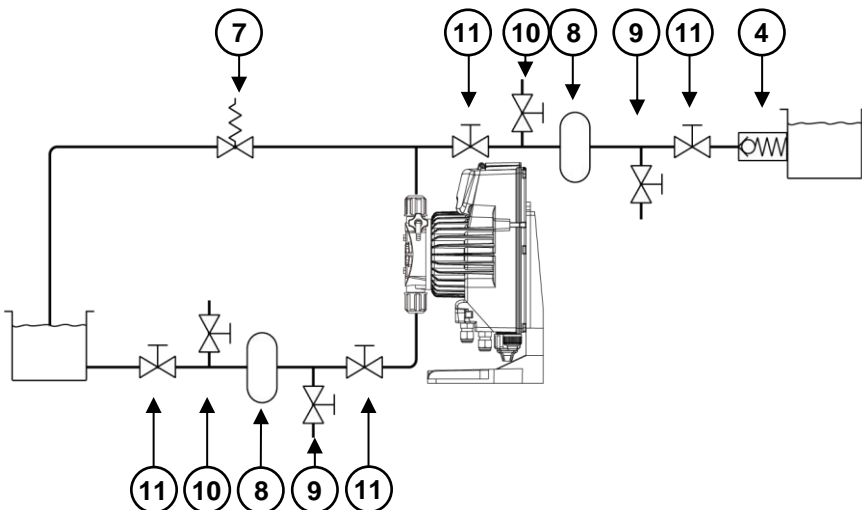
4.1.4.1 Установка для надежного предотвращения просачивания опасных сред



4.1.4.2 Установка для надежного предотвращения просачивания опасных жидкостей

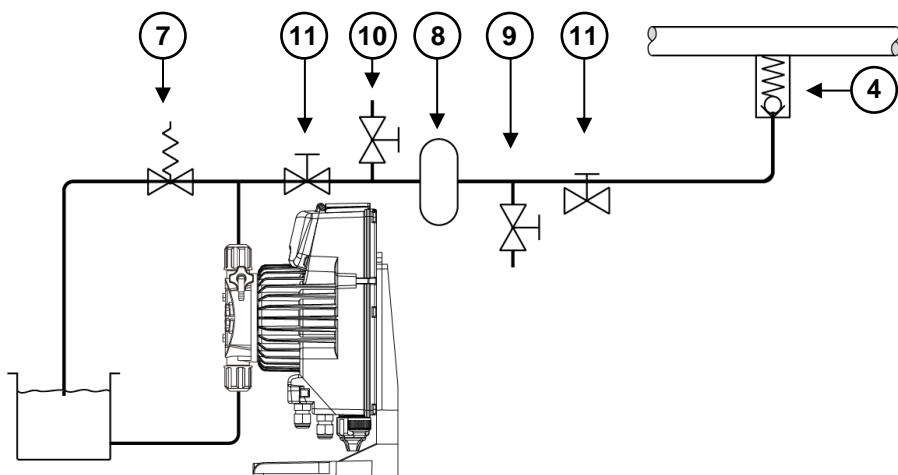


### 4.1.5 С длинными линиями всасывания или спуска

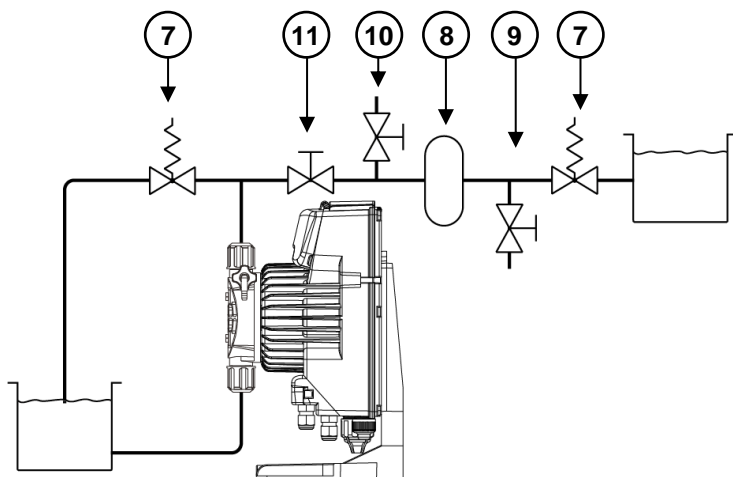


#### 4.1.6 Для дозирования без пульсаций

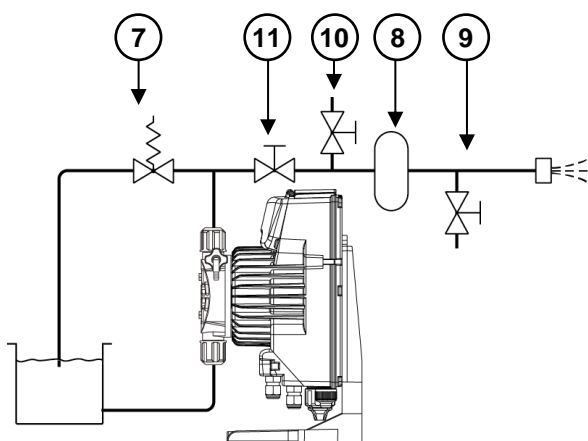
##### 4.1.6.1 В направлении спускных линий



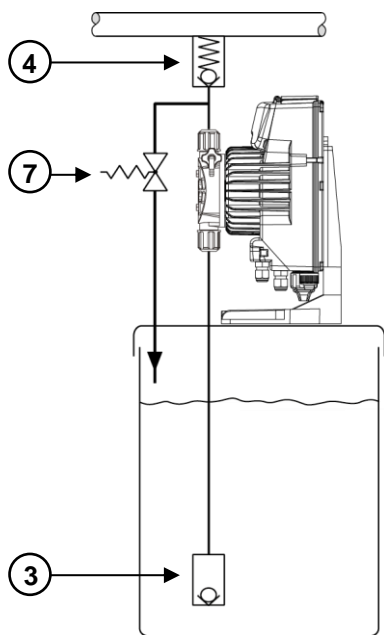
##### 4.1.6.2 В направлении атмосферной системы



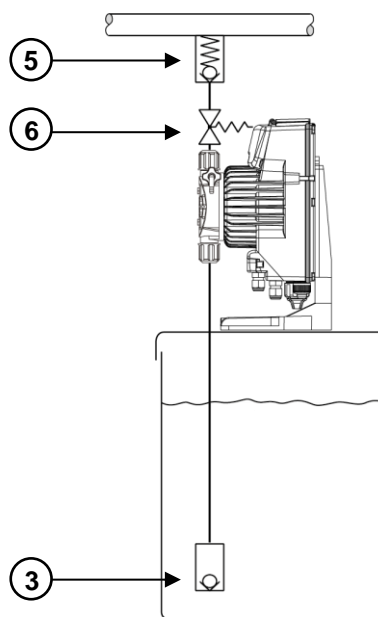
##### 4.1.6.3 Без передозировки



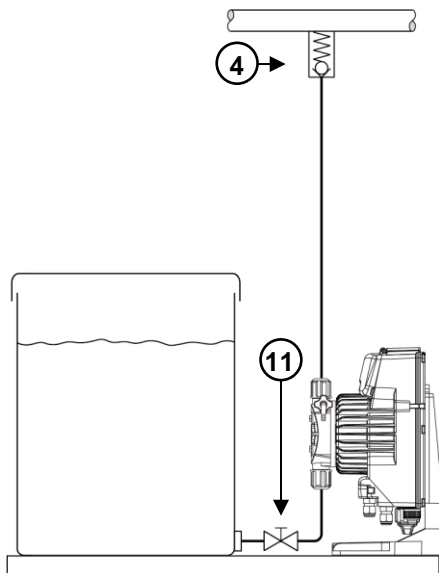
**4.1.7 Для защиты от избыточного давления**



**4.1.8 Дозирование в вакууме**

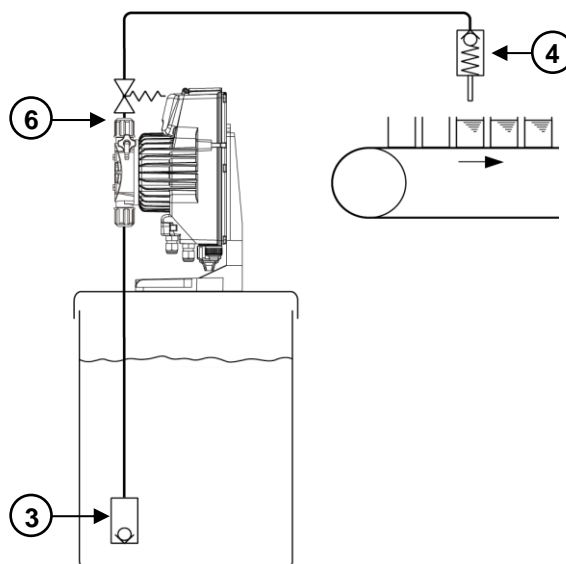


**4.1.9 С жидкостями, имеющими свойство выделять пары и испарения**

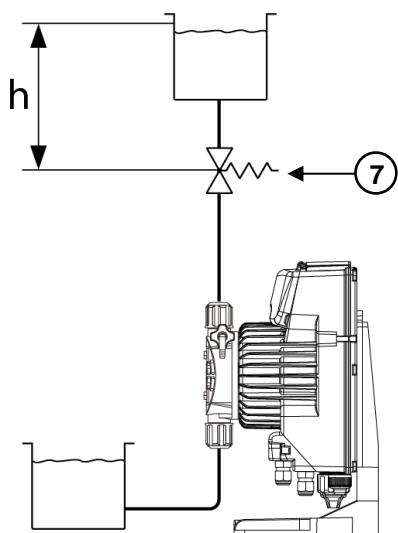


**4.1.10 Индивидуальный импульсный замер**

замер



**4.1.11 Правильное положение клапана обратного давления**



Расчет максимально допустимой высоты линии  $h_{max}$  над клапаном обратного давления:

$$h_{max} \leq \frac{P \times 14,3}{Rho \times g}$$

$h_{max}$  = Макс. высота линии (м)

P = установленное давление предварительного напряжения (бар)

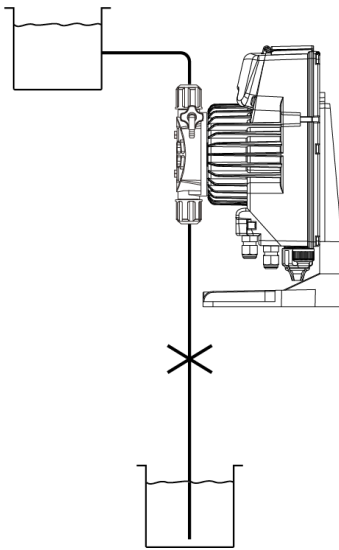
g = гравитационная константа (10 м/с<sup>2</sup>)

Rho = плотность подаваемой жидкости (кг/дм<sup>3</sup>)

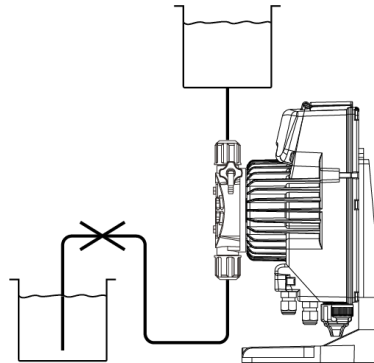


## 4.2 Неправильная установка насосов

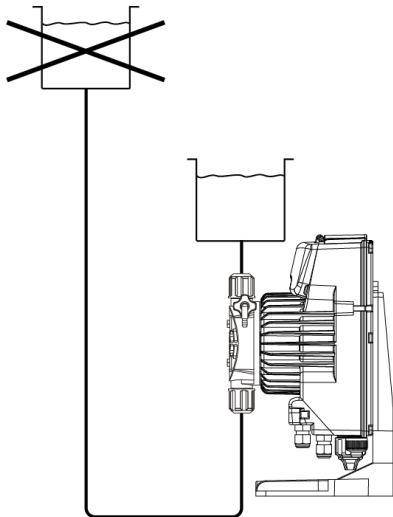
4.2.1 Слишком высокая линия всасывания



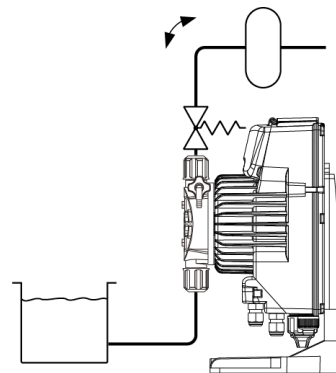
4.2.2 Свободный поток, среда будет подаваться самотеком через насос



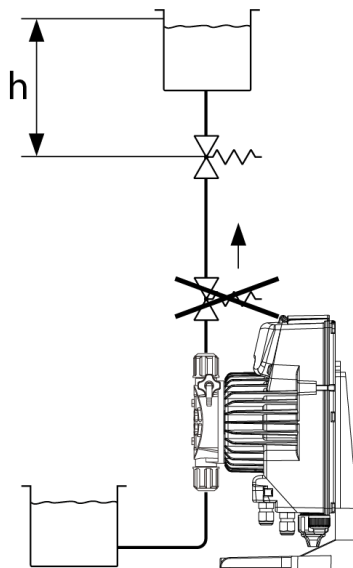
4.2.3 Всасывающую линию нельзя продувать



4.2.4 Накопитель неэффективен



4.2.5 Неправильное положение ВРВ



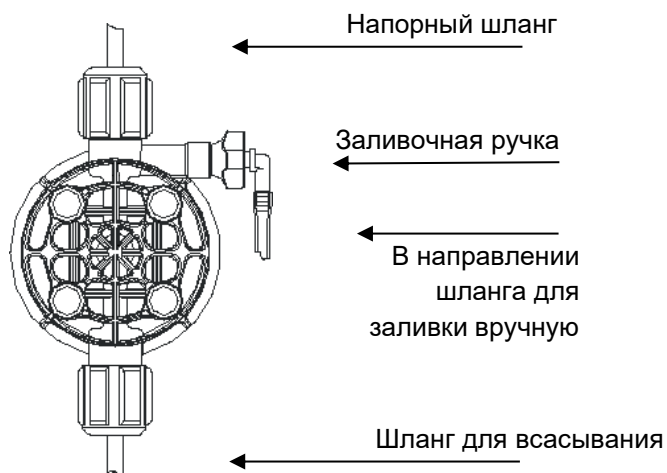
### 4.3 Гидравлическая линия насоса-дозатора



#### 4.3.1 Заливочный шланг

Вставьте одну сторону заливочного шланга в спускной разъем. Вставьте другой конец заливочного шланга в бак изделия.

В ходе заливочной процедуры избыток продукции будет поступать в бак.



Модель головки насоса для заливки вручную, соединения головки насоса из ПВДФ

Допускается легкий изгиб заливочного шланга.



**В ходе процедуры калибровки («ТЕСТИРОВАНИЕ») вставьте заливочный шланг в пробирку BECKER.**



**Всасывающий и напорный клапаны должны находиться в вертикальном положении**

### 4.3.2 Всасывание с помощью насоса



**Всасывающий трубопровод должен быть как можно короче и устанавливается в вертикальном положении во избежание всасывания пузырьков воздуха.**

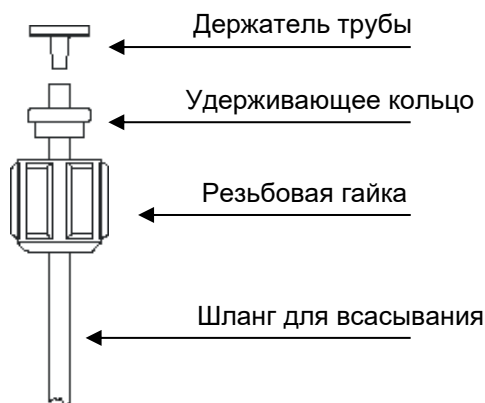
Полностью открутите затяжную гайку с головки насоса и снимите монтажные компоненты: затяжную гайку, удерживающее кольцо и держатель трубы.

Вставляйте шланг в держатель трубы, пока он не упрется в дно. Зафиксируйте шланг на головке насоса, закрутив затяжную гайку.



**Плотно затяните гайки вручную.**

Не используйте щипцы или какой-либо другой инструмент.

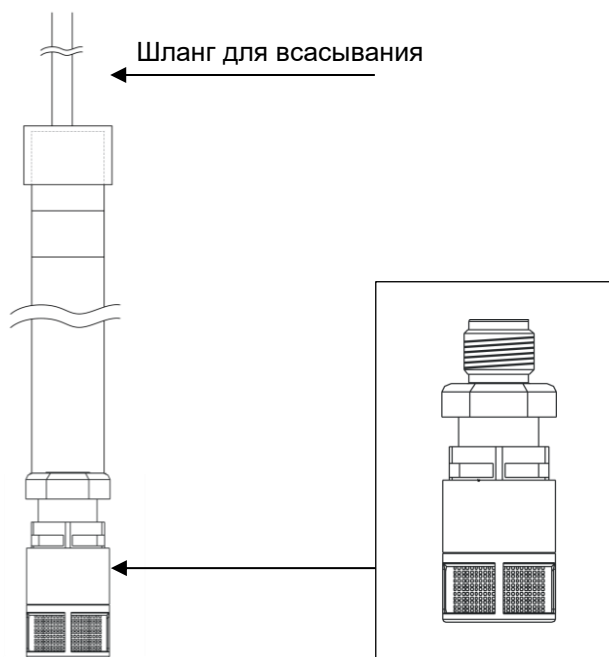


Сборка Всасывающий шланга

#### Установка ножного фильтра

Датчик уровня смонтирован с ножным фильтром, что позволяет избежать проблем с заливкой отложений.

Установите датчик уровня на дно бака.



Всасывающий патрубок

Донный фильтр



**Внимание! Если в баке установлен смеситель, вместо датчика уровня/ножного фильтра установите всасывающий патрубок.**

### 4.3.3 Напор насоса



**Напорный шланг должен быть прочно закреплен во избежание резких движений, чреватых повреждением близлежащих объектов**

Полностью открутите затяжную гайку с головки насоса и снимите монтажные компоненты: затяжную гайку, удерживающее кольцо и держатель трубы.

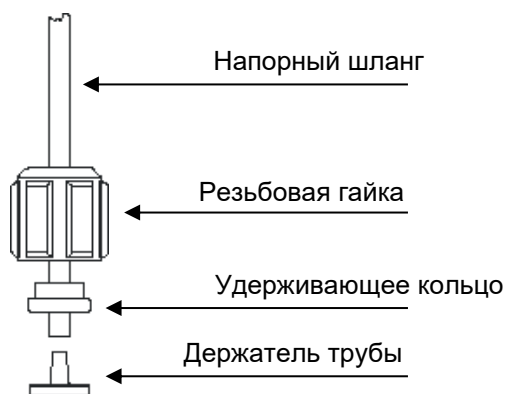
Вставляйте шланг в держатель трубы, пока он не упрется в дно. Зафиксируйте шланг на головке насоса, закрутив затяжную гайку.



**Плотно затяните гайки вручную.**

Подсоедините другой конец шланга ко клапану впрыска, следуя той же процедуре.

Подсоедините другой конец шланга ко клапану впрыска, следуя той же процедуре.



Сборка напорного шланга

### Впрыскивающий штуцер

Установку впрыскивающего штуцера на оборудовании следует осуществлять от входа для воды.

Впрыскивающий штуцер откроется при давлении более 0,3 бар.

## 4.4 Электрические соединения

	<p>Вход А = подсоединение электропитания</p> <p>Вход В = подсоединение датчика уровня</p>	<p>Насос должен быть подключен к электросети параметры которой соответствуют параметрам, приведенным на этикетке насоса! Несоблюдение данного требования может привести к поломке насоса.</p> <p>Насосы рассчитаны на выдерживание небольших перенапряжений. Поэтому, чтобы предотвратить повреждение насоса, рекомендуется убедиться, что источник питания насоса не используется одновременно для электрических приборов, генерирующих высокое напряжение.</p> <p><b>При использовании трёхфазного напряжения подключение электропитания насоса должно производиться между фазой и нулём. Подключение насоса между фазой и землёй недопустимо.</b></p>
--	---	--

## 4.5 Примечания

После приблизительно 800 часов работы, подверните гайки штуцеров всасывания и нагнетания на корпусе насоса, используя динамометрический ключ (вращающий момент 4 Н\*м)

При выполнении гидравлических соединений следуйте приведенным ниже инструкциям.

- Установите **ДОННЫЙ ФИЛЬТР** примерно в 5-10 см от дна, чтобы избежать каких-либо отложений, которые могут заблокировать фильтрующий элемент.
- Установка насоса ниже уровня жидкости рекомендуется для насосов с очень небольшой производительностью, особенно при дозировании газообразующих продуктов (например, гипохлорита натрия, гидразина, перекиси водорода и т. д.).
- Наши насосы оснащаются всасывающим и нагнетательным шлангами. При необходимости использования шлангов длиннее тех, которые входят в монтажный комплект, необходимо использовать шланги тех же размеров, что и поставляемые с насосом.
- Если насос подвергается воздействию солнечных лучей, рекомендуется использовать черные шланги, устойчивые к ультрафиолетовому излучению.
- **ТОЧКУ ВПРЫСКА** рекомендуется располагать выше насоса или резервуара.
- **КЛАПАН ВПРЫСКА**, поставляемый с насосом, всегда должен устанавливаться в конце дозирующей нагнетательной линии.

## 4.6 Меры предосторожности при использовании

Рабочее напряжение электромагнитного насоса 100 - 240 В, 50/60 Гц. Насосы рассчитаны на выдерживание небольших перенапряжений. Поэтому, чтобы предотвратить повреждение насоса, рекомендуется убедиться, что источник питания насоса не используется одновременно для электрических приборов, генерирующих высокое напряжение.

Для снижения риска поражения электрическим током розетка дозирующего насоса должна быть хорошо заземлена. Разделите провод заземления и провод нейтрали и закройте болты головки насоса колпачками.

Категорически запрещается эксплуатировать насос без жидкости в течение длительного времени (максимум 3 минуты).

Перед дозированием химических продуктов, которые могут вступать в реакцию с водой (например, серная кислота), тщательно просушите все внутренние части корпуса насоса (помните, что на момент поставки в головке насоса находится немного воды).

Запрещается использовать дозирующий насос при давлениях превышающих максимальное номинальное давление. Номинальное давление указано на паспортной табличке дозирующего насоса, оно измеряется в барах (1 бар = 1 кг силы/см<sup>2</sup> = 10 м водяного столба). Превышение номинального давления может привести к повреждению насоса.

Температура окружающей среды в месте установки насоса не должна превышать 40 °С, а относительная влажность не должна быть выше 90%; насос запрещается устанавливать в месте, подверженном воздействию солнечных лучей или плохой погоды.

Выберите место установки, удобное для обслуживания насоса, и во избежание вибраций надежно закрепите насос. Насос должен быть установлен на горизонтальной поверхности.

Убедитесь, что линия всасывания и линия нагнетания установлены надлежащим образом и что вместо нагнетательного клапана не установлен всасывающий клапан.

Поддерживайте всасывающий и нагнетательный клапаны в чистоте.

После очистки всасывающего и нагнетательного клапанов их необходимо аккуратно разобрать и снова собрать. Любая недостающая деталь клапана повлияет на его работу.

Поставляемые шланги, донный клапан и клапан впрыска должны использоваться вместе для обеспечения точной дозировки.

Если позволяют условия, следует установить предохранительный клапан, чтобы избежать повреждения насоса из-за засорения.

Затяните соединительную гайку трубы вручную и не используйте инструменты.

### **Подключение входного и выходного шлангов**

Используйте прилагаемый держатель трубки и зажим для трубки; затяните фиксирующую гайку, чтобы предотвратить утечку жидкости из трубки, что может привести к неисправности насоса. Регулярно проверяете состояние шлангов. В случае износа шлангового соединения, пожалуйста, замените шланг или отрежьте изношенную часть и снова затяните соединение.

### **Заливка вручную**

Клапан заливки находится справа от дозирующего насоса. Во время заливки откройте клапан, а затем снова закройте его после выпуска газа. Выход клапана заливки также должен быть соединен со шлангом для отвода газожидкостной смеси, чтобы предотвратить попадание капель на головку насоса и коррозию болтов.

Давление в линии нагнетания должно быть выше, чем в линии всасывания, в противном случае может возникнуть сифонный эффект.

После 800 часов работы снова затяните крепежные болты корпуса насоса моментом затяжки 4 Н·м.

## **4.7 Запуск**

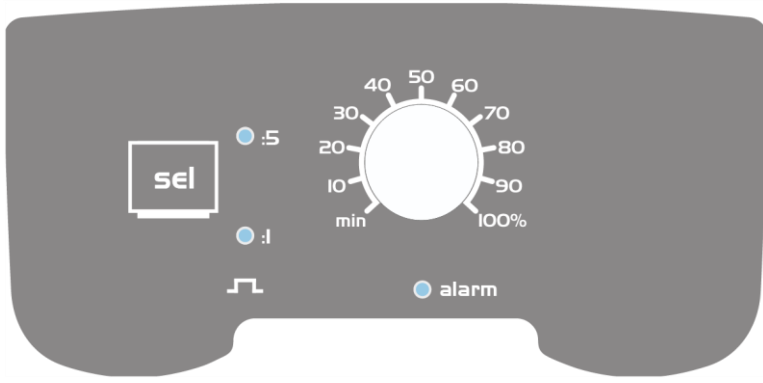
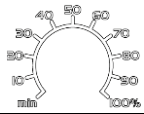

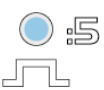


После завершения всех вышеперечисленных операций насос готов к запуску.

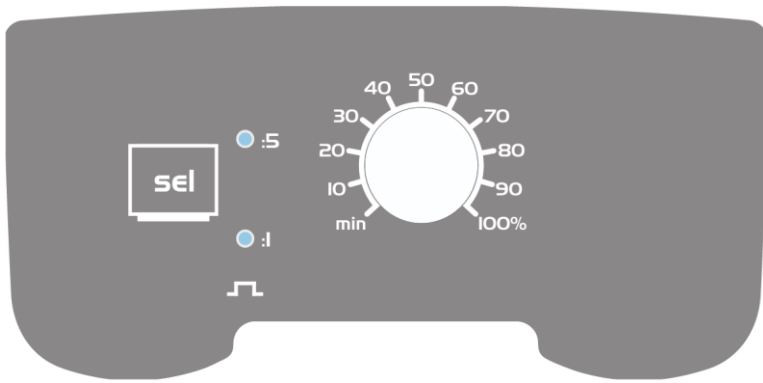
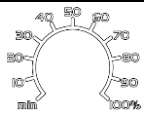

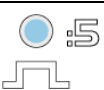

## **4.8 Заливка**

- Запустите насос.
- Откройте соединитель заливки, повернув рукоятку клапана заливки против часовой стрелки, и подождите, пока из подсоединенной к нему трубки не пойдет жидкость.

Как только убедитесь, что насос полностью заполнен жидкостью, закройте соединитель и насос начнет дозирование.

## 5 Панель управления

<b>Tekna AKL</b>	
	
	Ручка потенциометра для регулирования производительности
	Кнопка переключения режимов работы
	Светодиод режима дозирования (20% шкала) Индикатор работы насоса
	Светодиод режима дозирования (100% шкала) Индикатор работы насоса
	Светодиод сигнализации датчика уровня

<b>Tekna AKS</b>	
	
	Ручка потенциометра для регулирования производительности
	Кнопка переключения режимов работы
	Светодиод режима дозирования (20% шкала) Индикатор работы насоса
	Светодиод режима дозирования (100% шкала) Индикатор работы насоса

## 6 Сигнализация для насоса AKL

Индикация	Причина	Прерывание деятельности
Горит светодиод сигнализации (подключен датчик уровня)	Сигнализация низкого уровня реагента в реагентном баке	Пополните реагентный бак

## 7 Исправление проблем

Неисправность	Причина	Устранение
Насос работает, но дозация реагента не происходит	Засорены клапаны	Проверьте работу клапанов в гидравлической линии насоса, при необходимости очистите их или замените
	Большая высота линии всасывания	Измените размещение насоса относительно реагентного бака для уменьшения высоты всасывания
	Большая вязкость дозируемого реагента	Уменьшите высоту всасывания или замените насос на другой, с увеличенной производительностью
Низкая дозация реагента	Протечки в клапанах	Проверьте герметичность линии, при необходимости затяните гайки штуцеров
	Большая вязкость дозируемого реагента	Уменьшите высоту всасывания или замените насос на другой, с увеличенной производительностью
	Частично засорены клапаны	Проверьте работу клапанов в гидравлической линии насоса, при необходимости очистите их или замените
Большая или нерегулярная дозация реагента	Засасывание реагента в линию из-за возникновения сифона	Проверьте наличие и правильность работы ниппеля впрыска. При необходимости установите обратный клапан на линии нагнетания
	Разложение реагента под действием освещения	Используйте окрашенные трубки на линии всасывания и нагнетания
	Неправильные настройки насоса	Проверьте настройки насоса и их соответствие противодействию в водопроводной сети
Испорчена диафрагма	Высокое противодействие в точке дозации	Проверьте давление в точке дозации. Убедитесь в отсутствии засора в ниппеле впрыска и в трубке линии нагнетания между ниппелем впрыска и клапаном нагнетания
	Работа без реагента в линии	Проверьте наличие и правильность работы нижнего фильтра. Используйте датчик уровня для остановки насоса при отсутствии реагента в реагентном баке.
	Диафрагма установлена неправильно.	Проверьте правильность установки диафрагмы.
Насос не работает.	Неправильные параметры электропитания.	Проверьте соответствие существующего электропитания и электрических параметров насоса.



## 8 Техническое обслуживание

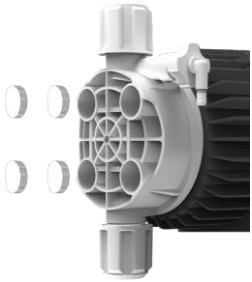


### 8.1 Меры предосторожности

- Перед началом технического обслуживания насоса убедитесь в том, что все электрические соединения отключены.
- Полностью сбросьте давление из насоса и слейте воду из труб на участке, требующем обслуживания
- Всегда работайте с использованием необходимых средств защиты.
- Не оставляйте в окружающей среде загрязняющие вещества, такие как перекачиваемые химикаты, гидравлическую жидкость, смазочное масло
- Внимательно читайте технические характеристики дозируемых и обрабатываемых жидкостей, чтобы знать о рисках и действиях, которые необходимо предпринять при случайном контакте с опасной жидкостью.

### 8.2 Головка насоса

Не позволяйте насосу работать без технологической жидкости. Как минимум раз в шесть месяцев снимайте головку насоса и выполняйте описанные ниже операции:

- Отсоедините всасывающую и напорную трубы
- Слейте технологическую жидкость из головки насоса и труб
- Демонтируйте головку насоса, выполнив следующие действия:

<p>a) Снимите 4 крышки, чтобы получить доступ к болтам</p> <p>b) Открутите болты, крепящие головку насоса к механизму</p>	
<p>c) Извлеките головку насоса и тщательно промойте всасывающий и спускной клапаны</p> <p>d) Проверьте, не изношены ли какие-либо прокладки; при необходимости замените их</p>	
<p>e) Осмотрите диафрагму на предмет наличия признаков износа и повреждения</p>	

- Установите обратно головку насоса и закрепите болты
- Установите крышки обратно на отверстия болта

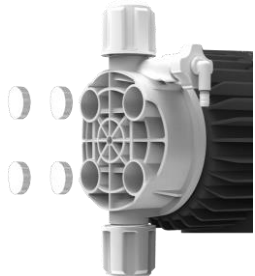

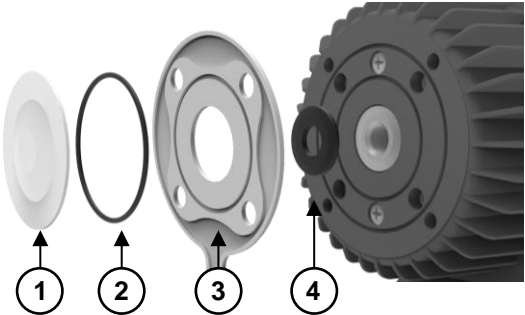

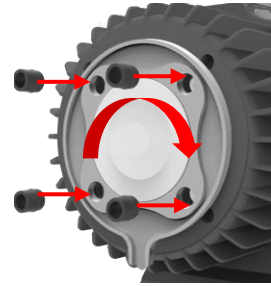


**Затяните болты в корпусе насоса с моментом затяжки 4 Нм**

### 8.3 Замена диафрагмы

При наличии утечки в зоне головки насоса по окончании процедуры обслуживания головки насоса выполните следующие действия для замены мембраны:

- Отсоедините всасывающие и напорные трубы, слейте рабочую жидкость из головки и труб насоса
- Демонтируйте головку насоса и диафрагму, выполнив следующие действия:

<p>a) Снимите 4 крышки, чтобы получить доступ к болтам</p> <p>b) Открутите болты, крепящие головку насоса к механизму</p> <p>c) Извлеките головку насоса</p>	
<p>d) Снимите диафрагму (белый диск из ПВДФ), выкрутив ее из корпуса</p>	
<p>e) Осмотрите все детали на предмет наличия признаков износа и повреждения: диафрагму (1), прокладка диафрагмы (2), большой противопросадочный диск (3) и малый противопросадочный диск (4)</p> <p>f) Замените все неисправные детали</p>	
<p>g) Большой противопросадочный диск должен быть установлен так, чтобы часть с маленькой канавкой располагалась в нижней части корпуса насоса и была обращена в сторону от электромагнитного клапана, а 4 отверстия совпадали с выемками для винтов на корпусе насоса.</p> <p>h) Маленький противопросадочный диск должен располагаться в центре большего диска, над поршнем электромагнитного клапана.</p>	
<p>i) Навинтите мембрану на поршень электромагнитного клапана</p> <p>j) Вставьте 4 уплотнения из комплекта поставки в отверстия, обращая внимание на направление: более короткий конец должен располагаться в нижней части отверстия</p>	

- Установите обратно головку насоса, закрепите болты и установите крышки обратно на отверстия для болтов

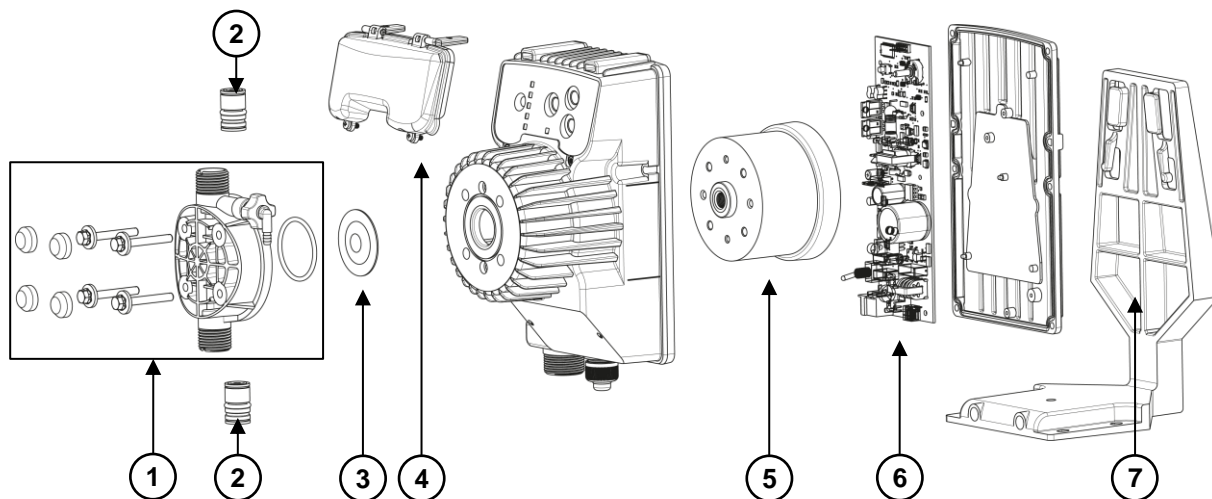


**Затяните болты в корпусе насоса с моментом затяжки 4 Нм**

## 8.4 Покомпонентное изображение запасных частей

Для упрощения очередного технического обслуживания и во избежание лишних временных затрат рекомендуется иметь на складе небольшой запас следующих запасных частей:

- Всасывающий клапан в сборе
- Напорный клапан в сборе
- Головка насоса в сборе
- Диафрагма, противопросадочные диски и уплотнения



1	Головка насоса
2	Клапаны
3	Диафрагма
4	Покрытие зоны контроля

5	соленоид
6	Материнская плата
7	Кронштейн

### ПРИМЕЧАНИЕ



При заказе запасных частей всегда указывайте модель и серийный номер насоса.

## 8.5 Рекомендации по утилизации

Утилизируйте электронные или токсичные материалы в соответствии с действующими нормами, которые различаются в зависимости от страны.

В большинстве стран самостоятельная утилизация электронных или токсичных материалов запрещена, и конечным пользователям предлагается утилизировать их надлежащим образом, желательно через некоммерческие организации, уполномоченные местными органами власти или организованные на добровольной основе соответствующими специалистами.

Передавайте их авторизованным предприятиям по переработке отходов, желательно через лицензированного перевозчика отходов.